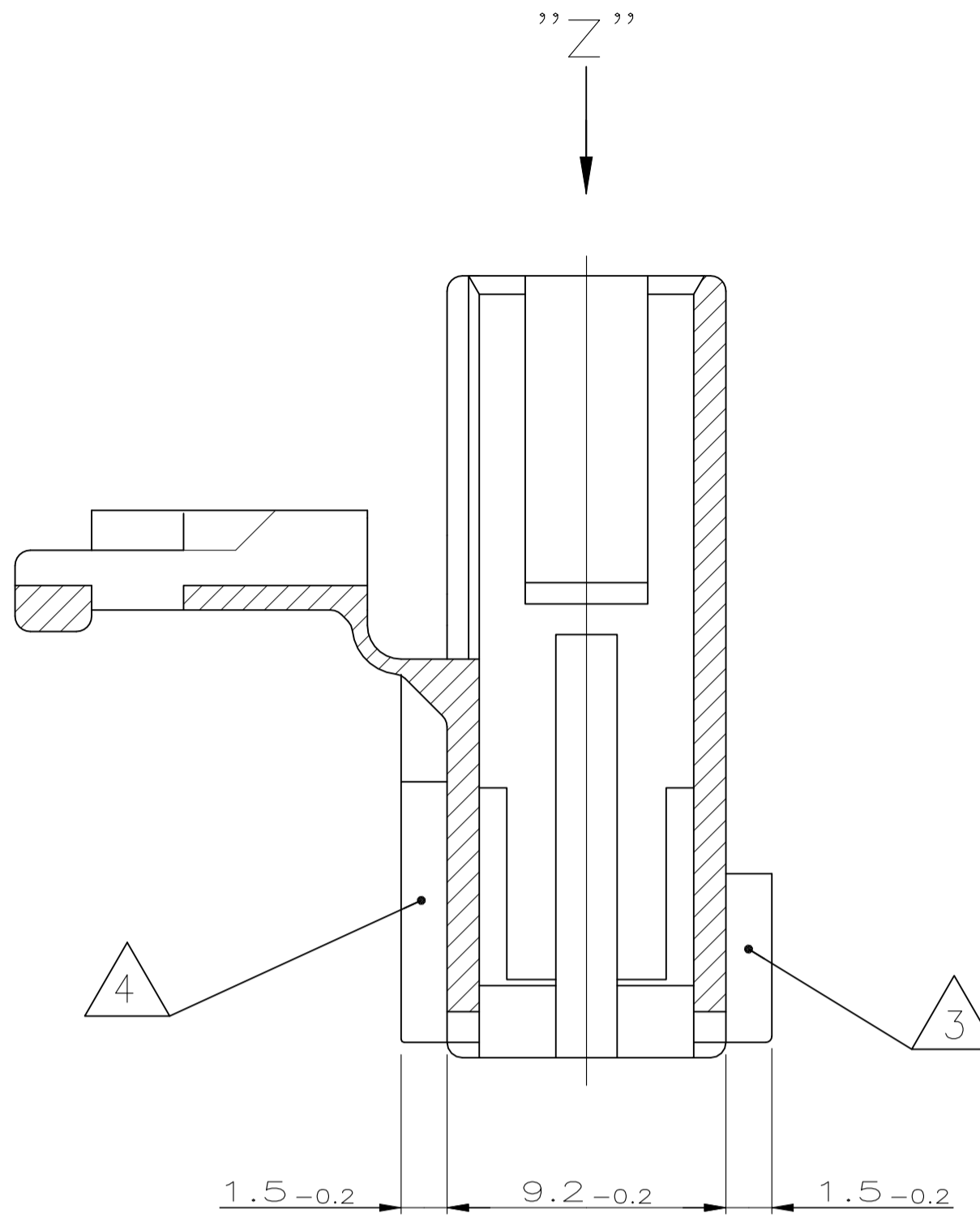
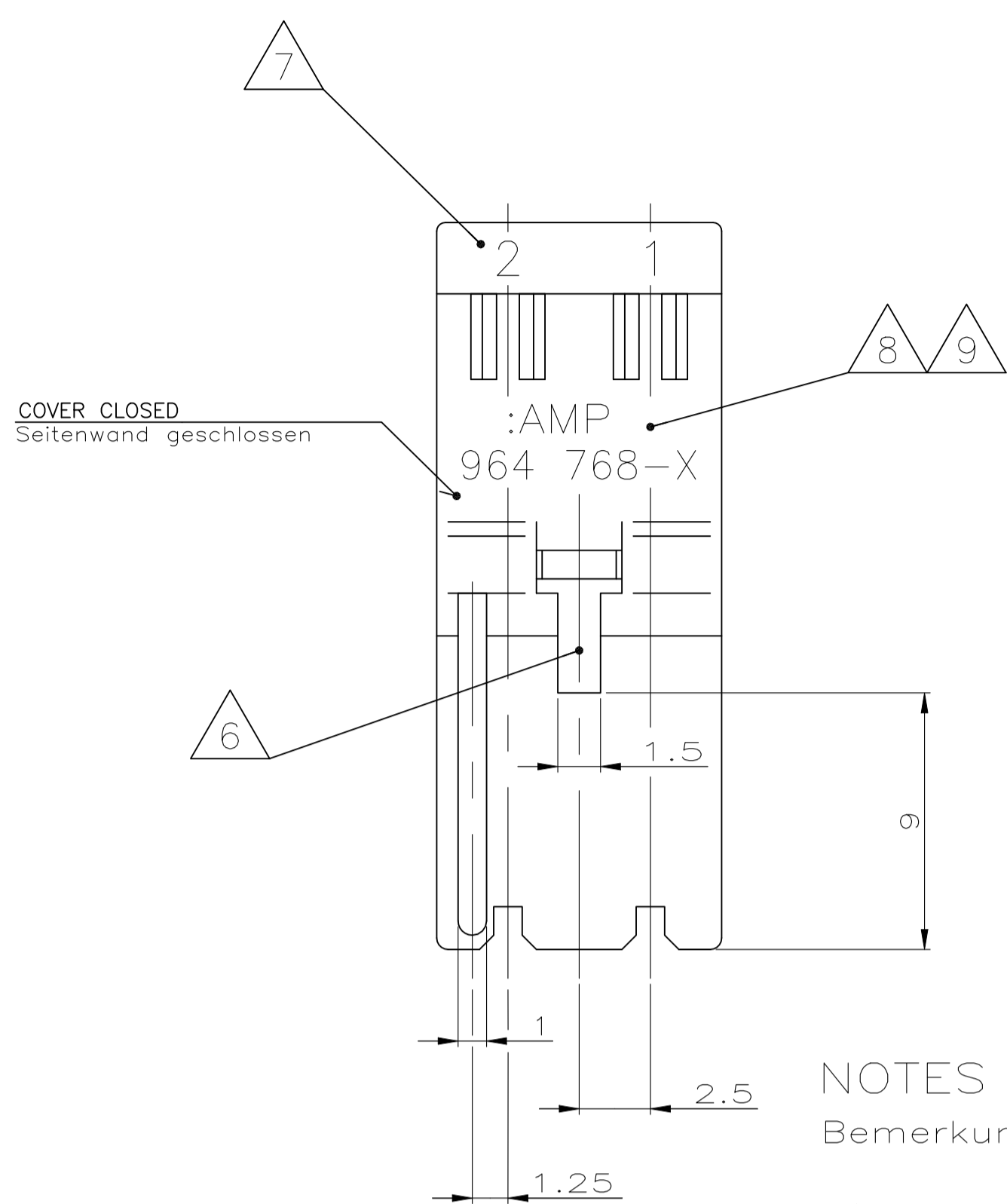
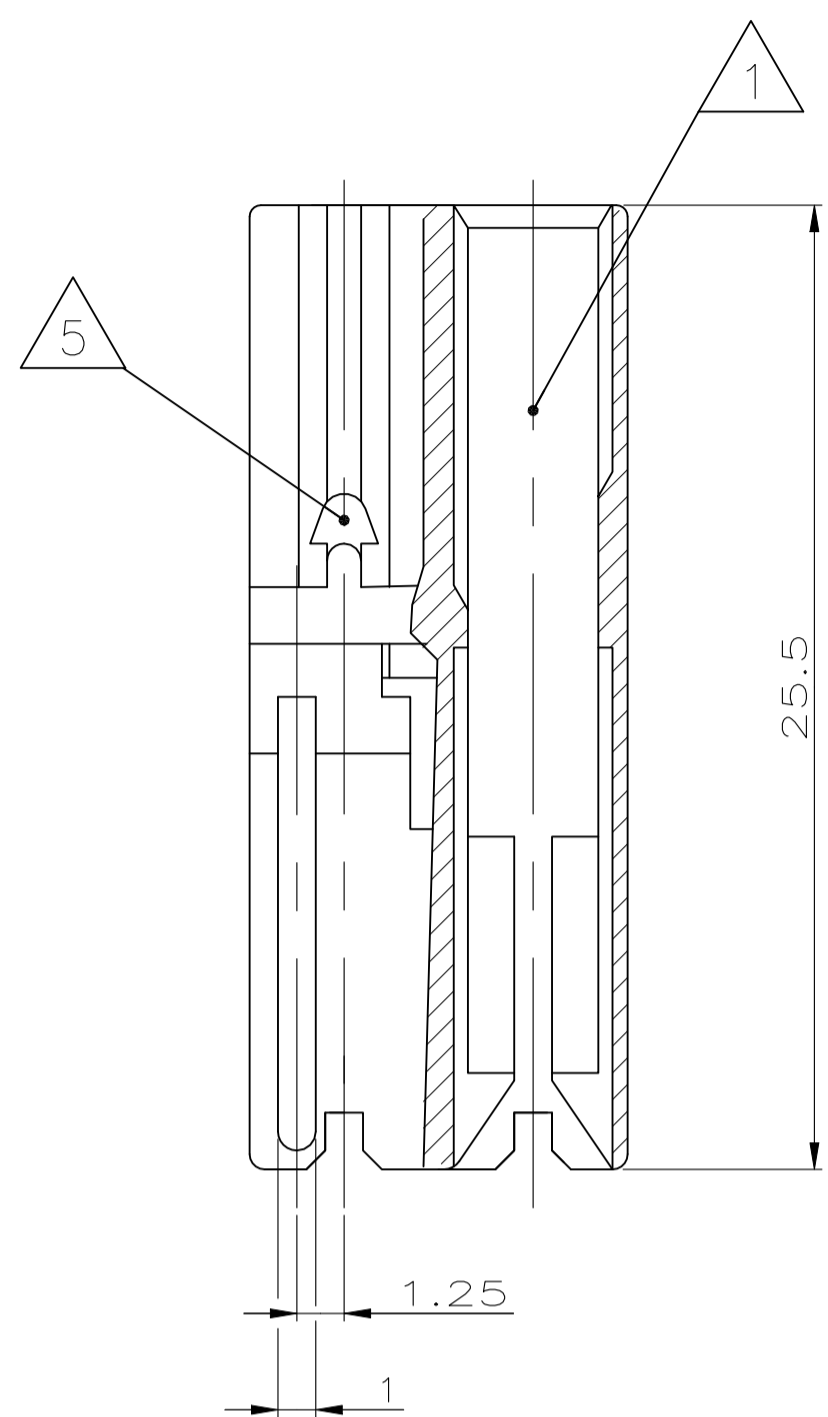


REVISIONS				
REV	DATE	DESCRIPTION	BY	APPD
C10	05MAY2021	ECR-21-102281	PJ	FL

NUMBER 964768  
 VERWENDET FÜR  
 PASSEND ZU  
 PART NR. 94-52864-1

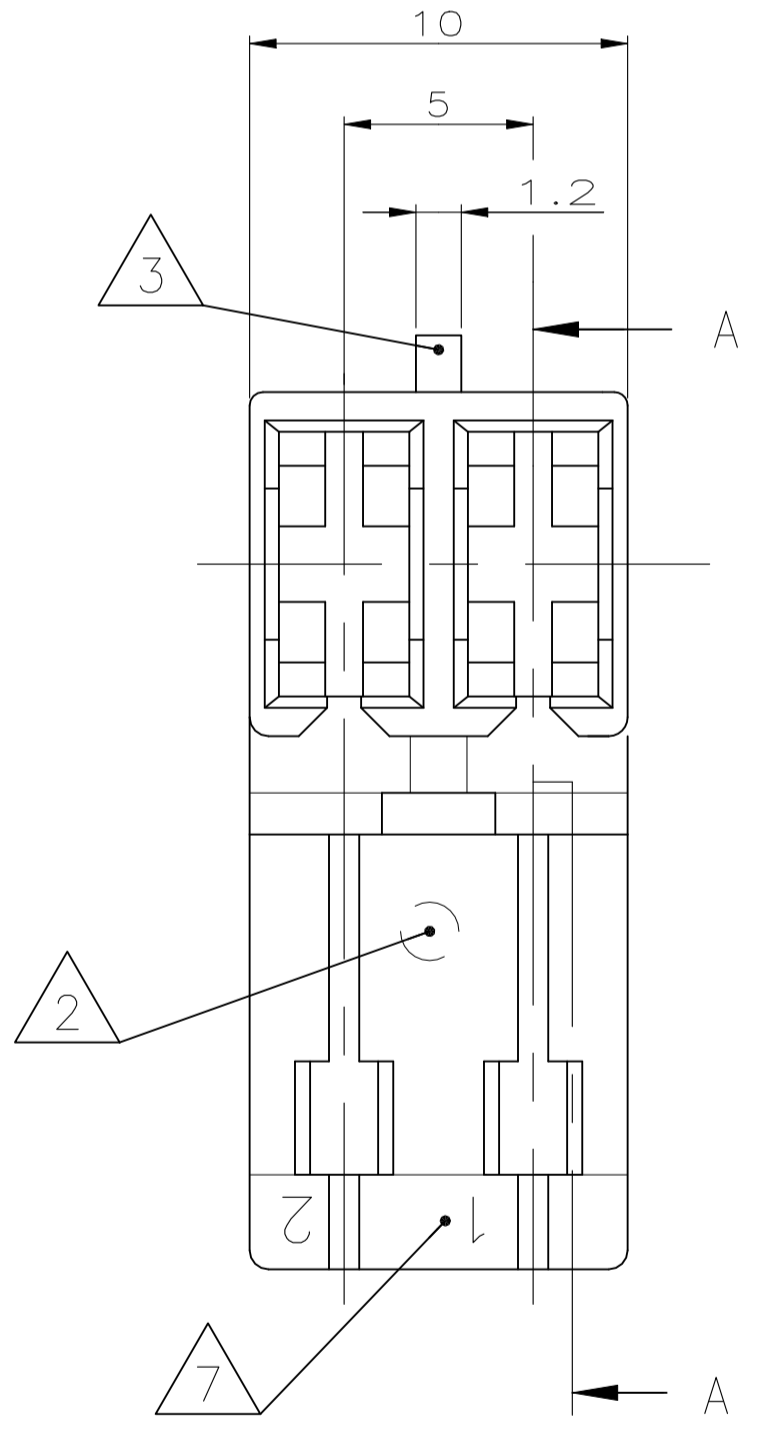


SECTION A-A (TURNED AT 90°)  
 Schnitt A-A (um 90° gedreht)

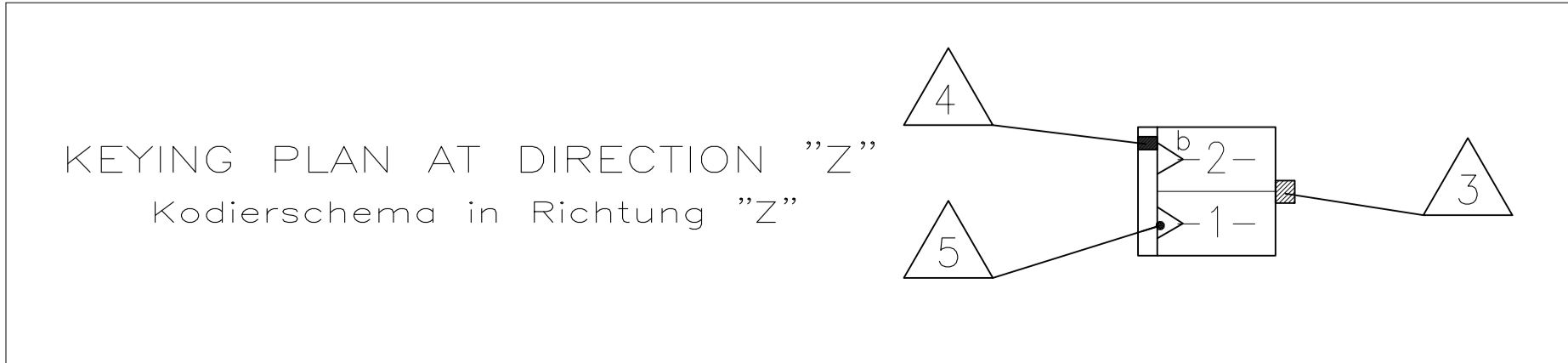


NOTES  
 Bemerkungen

- 1 CAVITY SUITABLE TO AMP TIMER-CONTACTS:  
 Kammer geeignet für AMP Timer-Kontakte: PN 926965/926973/926005/926006/927833/927837
- 2 CAVITY MARKING  
 Nestmarkierung
- 3 SPECIAL KEYING BETWEEN CAVITY NO. 1 AND 2  
 Sonderkodierung zwischen Kammer Nr. 1 und 2
- 4 POLARIZATION RIB GO THROUGH TO HINGE  
 Polarisierungsrippe durchgehend bis Scharnier
- 5 LOCKING DEVICE FOR COVER AT CAVITY NO. 1 AND 2  
 Verrastung für Deckel bei Kammer No. 1 und 2
- 6 MATING STOP BETWEEN CAVITY NO. 1 AND 2  
 Tiefenanschlag zwischen Kammer Nr. 1 und 2
- 7 CONTACT CAVITY NO.  
 Kammernummer
- 8 TE LOGO AND PART NUMBER (OPTIONAL).
- 9 PN 964768-1 WILL BE ALSO DELIVERED WITH THE INSCRIPTION 964768-2  
 PN 964768-1 wird auch mit der Aufschrift 964768-2 geliefert
- 10 LOOSE PARTS PACKED IN PE-BAG  
 Verpackung, lose im PE-Beutel
- 11 TYCO-LOGO AND PART NUMBER  
 tyco-Logo und Bestellnummer
- 12 PN 964768-1 IS ALSO MANUFACTURED WITH THE PN-INSERTION 964768-2  
 PN 964768-1 wird mit dem PN-Stempel 964768-2 gefertigt
- 13 MATERIAL CORRESPONDS TO REQUIREMENT EN 60335  
 (INCL. GLOW WIRE TEST 750°C, NO FLAME)  
 Material entspricht den Anforderungen der EN 60335  
 (incl. glow wire test 750°C, ohne Flamme)
- 14 MATERIAL GRADE IS V0 & GWT 750°C, NO FLAME
- 15 PRELIMINARY - NOT RELEASED FOR PRODUCTION



16 DOUBLE SOURCE RESIN: ALTERNATIVE RESIN UNDER APPROVAL.



PART NUMBER	REV	DESCRIPTION	NOTES	MATERIAL	COLOUR
1-964768-2	C	2 POS. STANDARD TIMER HSG.		PA66	BLUE
1-964 768-1	C	2 POS. STANDARD TIMER HSG.		PA66	NATURE
0-964 768-4	C	2 POS. STANDARD TIMER HSG.		PA 6	BLACK
0-964 768-3	C	2 POS. STANDARD TIMER HSG.		PA 6	NATURE
0-964 768-2	C	2 POS. STANDARD TIMER HSG.		PA6,6	GREY
0-964 768-1	C	2 POS. STANDARD TIMER HSG.		PA6,6	NATURE

THIS DRAWING IS A CONTROLLED DOCUMENT.		DIN ATZMANN 20.3.95		TE Connectivity	
DIMENSIONS: mm		TOLERANCES UNLESS OTHERWISE SPECIFIED:		NAME	
0. PLC ± -		1. PLC ± -		ATZMANN	
1. PLC ± -		2. PLC ± 0.2mm		BARTOSCH	
2. PLC ± -		3. PLC ± -		PRODUCT SPEC	
3. PLC ± -		4. PLC ± -		108-18049-1	
4. PLC ± -		ANGLES ± -		APPLICATION SPEC	
MATERIAL SEE TABLE		FINISH -		SIZE CAGE CODE DRAWING NO	
				A1 00779 964768	
				RESTRICTED TO	
				WEIGHT -	
				CUSTOMER DRAWING	
				SCALE 5:1 SHEET 1 of 1 REV C10	