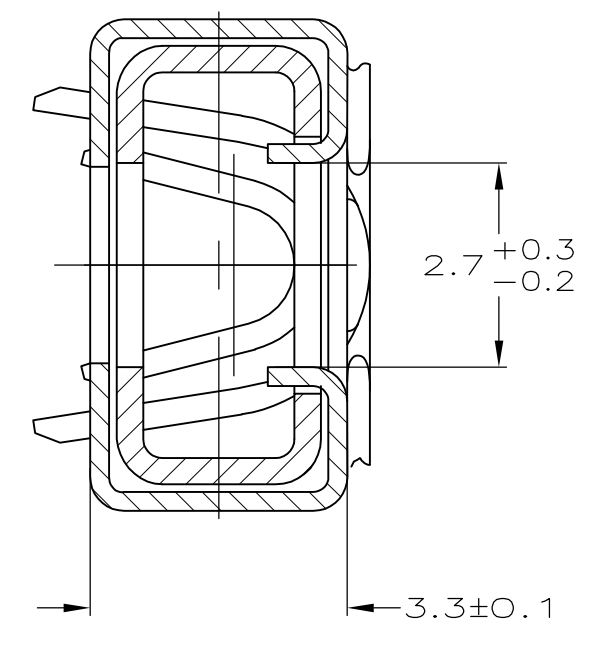
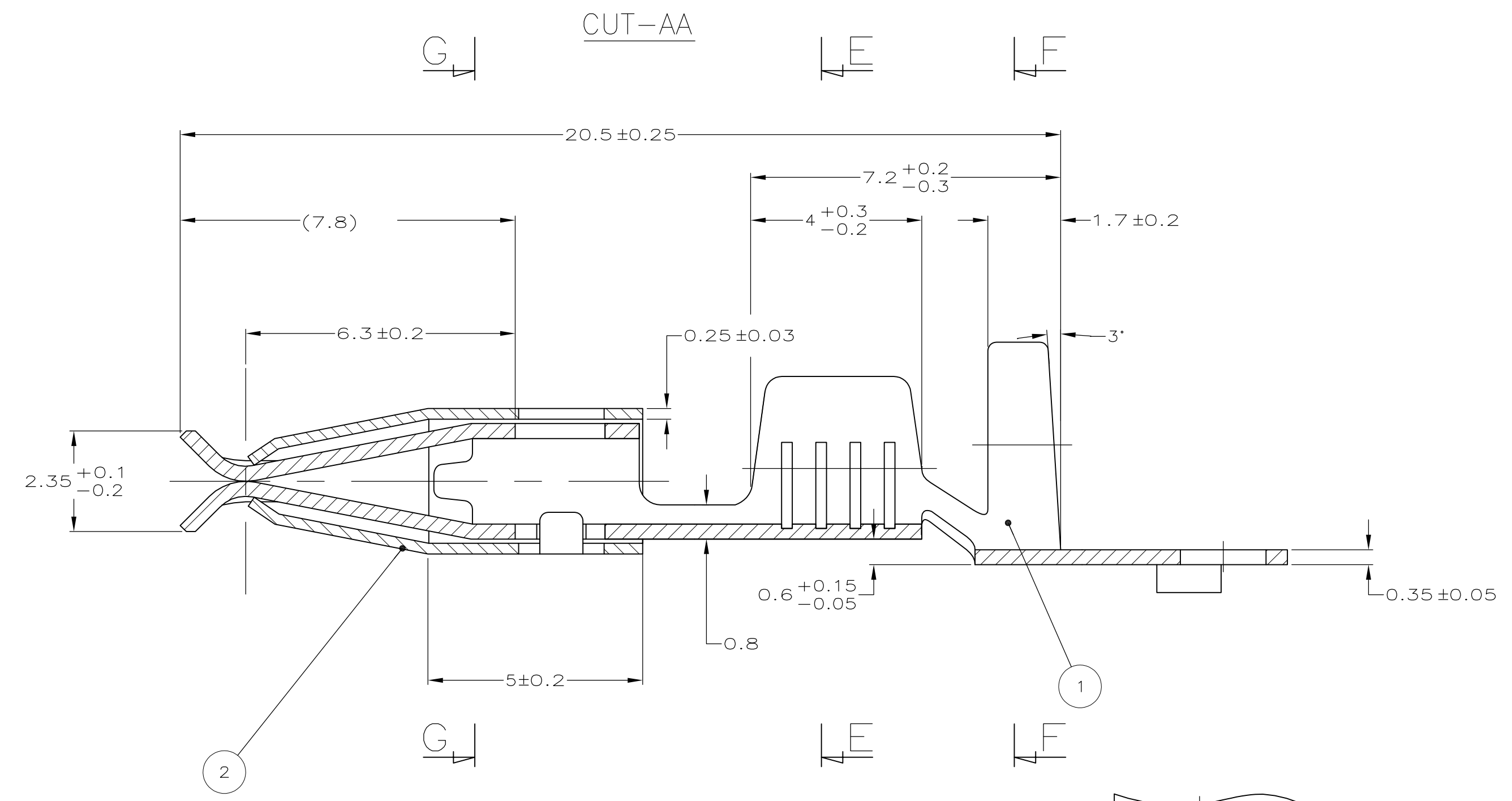
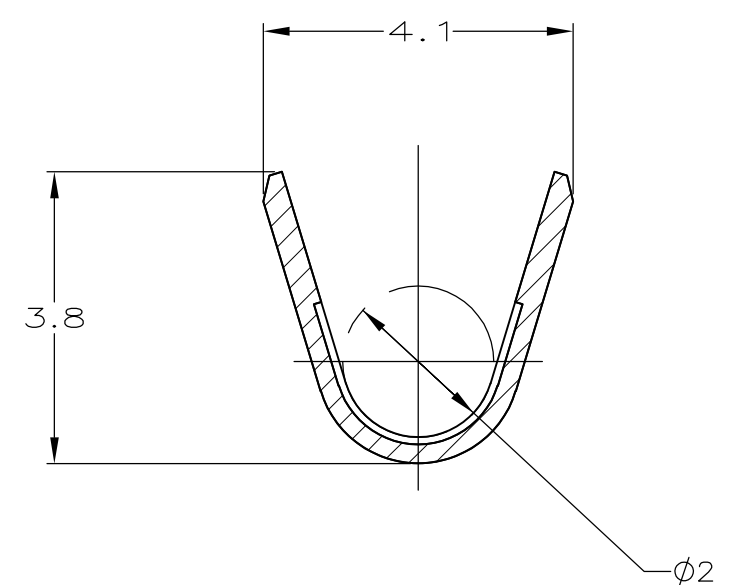
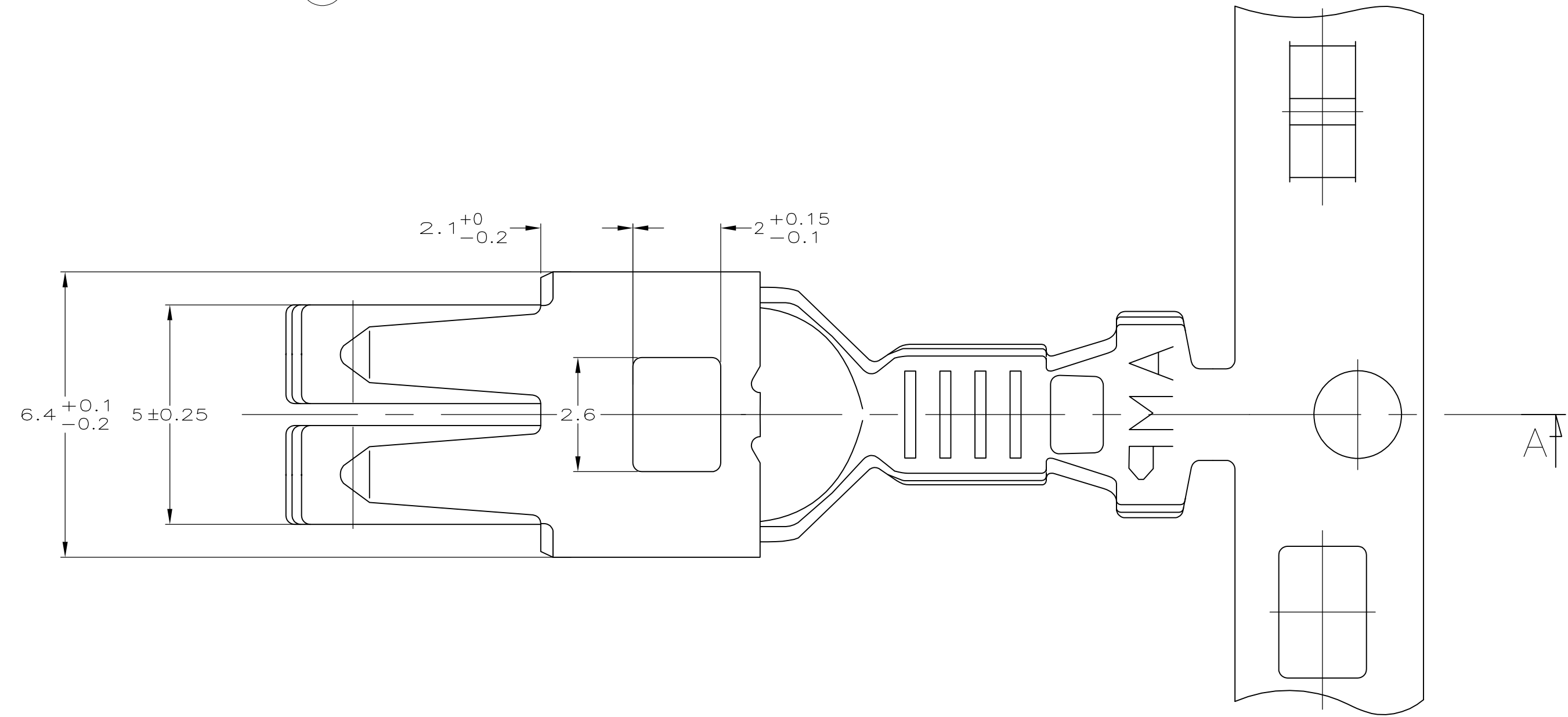


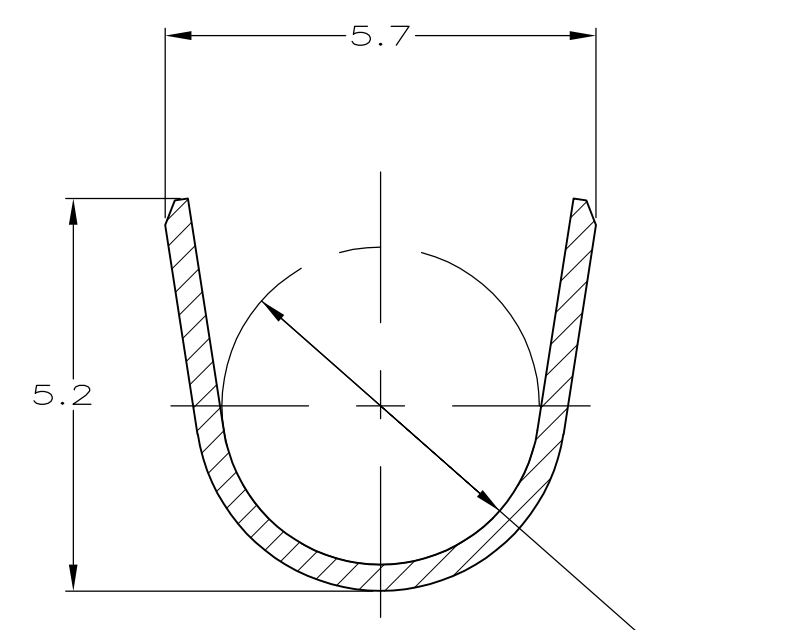
LOC		DIST		REVISIONS			
F	7	IP	LTR	DESCRIPTION	DATE	DMN	APVO
		J2	ECR	12-014426	29AUG2012	SH	RH



CUT-GG



SECTION-EE



SECTION-FF

NOTE:  
 \* FOR CRIMP DIMENSION INFORMATIONS CONTACT TE CONNECTIVITY ENGINEERING

963893-1	>1.0-2.5mm <sup>2</sup>	PLAIN	X12 CrNi18-8	STEEL SPRING	2
		[Sn] 1.5-3µm	CuSn4	BODY	1
TE PN	WIRE SIZE	FINISH	MATERIAL	COMPONENT	ITEM NO

THIS DRAWING IS A CONTROLLED DOCUMENT. CE SCHEMA EST UN DOCUMENT CONTROLÉ		DMN/DESSINE SHREESHAIL	17AUG2012	TE Connectivity 6.3mm Receptacle Contact	
DIMENSIONS: mm		CHK/VERIFIE R. KONRAD	17AUG2012		
TOLERANCES UNLESS OTHERWISE SPECIFIED: TOLERANCES NON SPECIFIEES (SUIV NB DE DECIMALES)		APVO/APPROUVE G. MUMPER	17AUG2012	NAME/TITRE	
0 PLC / DEC ±		PRODUCT SPEC / SPEC. PRODUIT		SIZE / FORMAT	
1 PLC / DEC ± 0.2		APPLICATION SPEC / SPEC. APPLICATION		WEIGHT / MASSE APPROX	
2 PLC / DEC ±		FINISH / FINITION		UNIFORMEMENT SCALE / ÉCHELLE	
3 PLC / DEC ±		MATERIAL MATIERE		SHEET / FEUILLE	
4 PLC / DEC ± ± 2°		SEE TABLE		OF / DE	
SEE TABLE		SEE TABLE		REV	