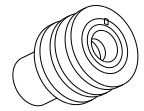
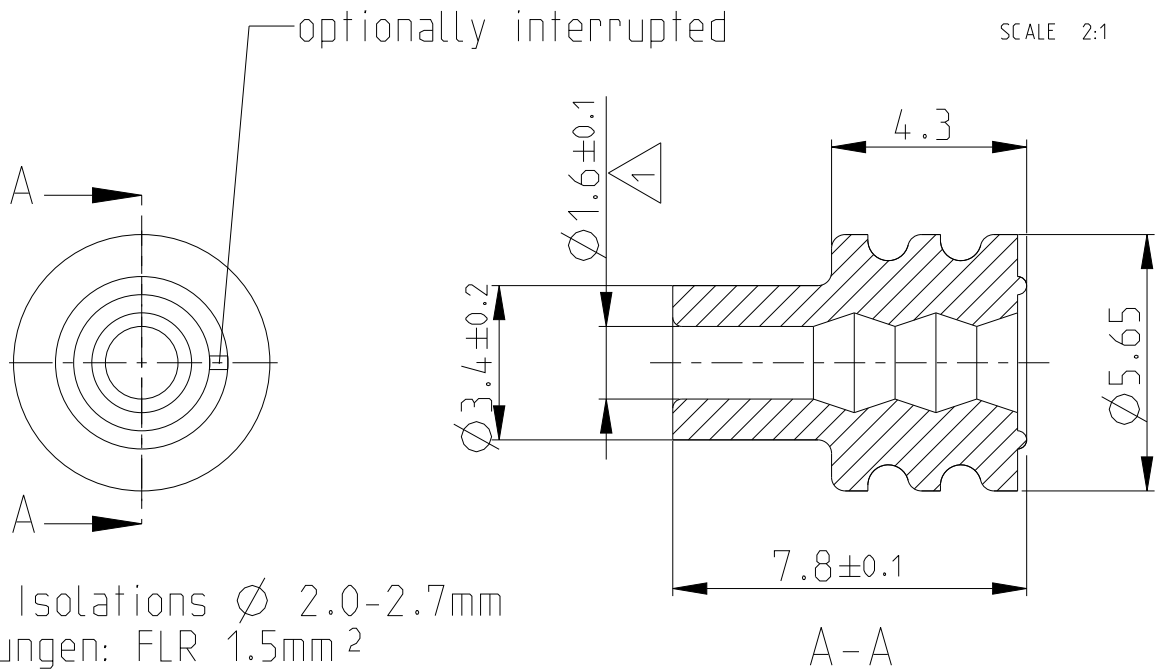


LOC	DIST	REVISIONS					
AI	-	P	LTR	DESCRIPTION	DATE	DWN	APVD
Pr-No 87-9088		G2		REVISED PER ECO-11-005027	20MAR2011	RK	HMR
		G3		REVISED PER ECO-17-017004	16APR2018	AMAR	SKRA
		G4		VARIANT 963293-2 IS OBSOLETE	13OCT2021	SCK	MA



SCALE 2:1



G4	OBSOLETE	963293-2	G	FLUOR-SILIKONKAUTSCHUK SHORE A 40°	BROWN RED
		963293-1	F	SILIKONKAUTSCHUK SHORE A 50° lubriziert	BROWN RED
		PN	REV.	MATERIAL	COLOR

19-
 RELEASED FOR PUBLICATION
 ALL RIGHTS RESERVED.
 BY -
 THIS DRAWING IS UNPUBLISHED.
 © COPYRIGHT 19-

DIMENSIONS:	DWN	29JAN97	MATERIAL	SEE TABLE	FINISH	SEE TABLE
mm	R.SCH&FER	29JAN97	TE Connectivity			
TOLERANCES UNLESS OTHERWISE SPECIFIED:	CHK	U.M ünK				
0 PLC ±	APVD	-	NAME SINGLE-WIRE-SEAL INSULDIA 2.0-2.7 EINZELLEITERDICHTUNG			
1 PLC ±	PRODUCT SPEC	108-18159-1				
2 PLC ±0.2	APPLICATION SPEC	114-18018	SIZE	CAGE CODE	DRAWING NO	RESTRICTED TO
3 PLC ±	WEIGHT	ca. 0.1g	A 4	00779	©=963293	
4 PLC ±0.000	CUSTOMER DRAWING		SCALE	6:1	SHEET	1 OF 1
ANGLES ±						REV G4