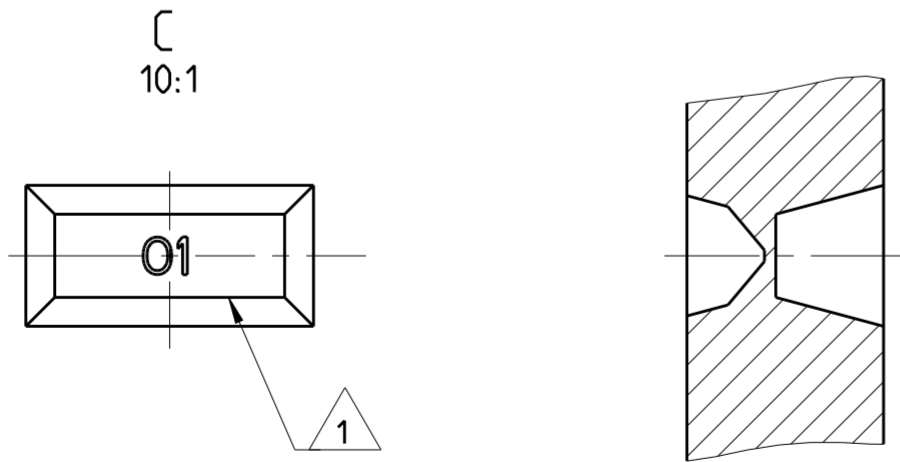
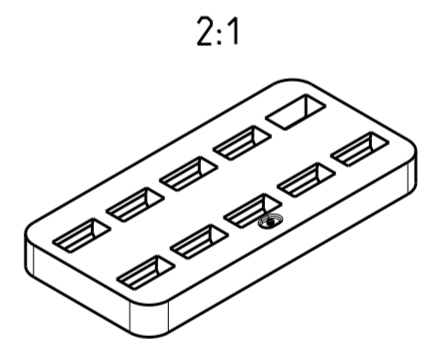
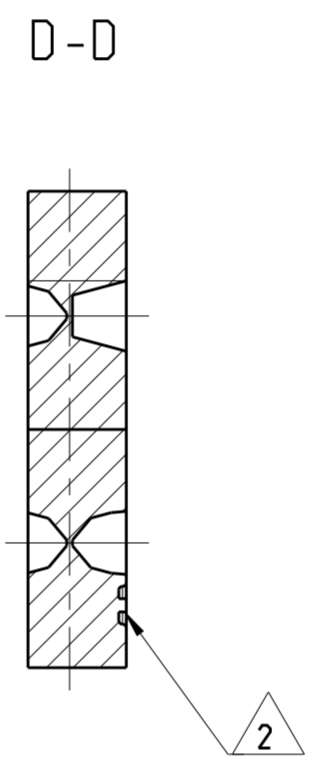
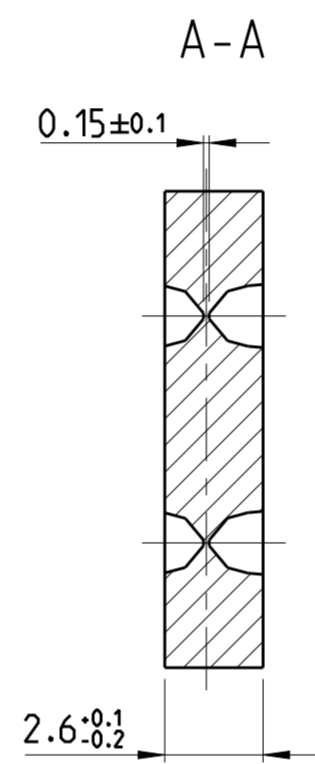
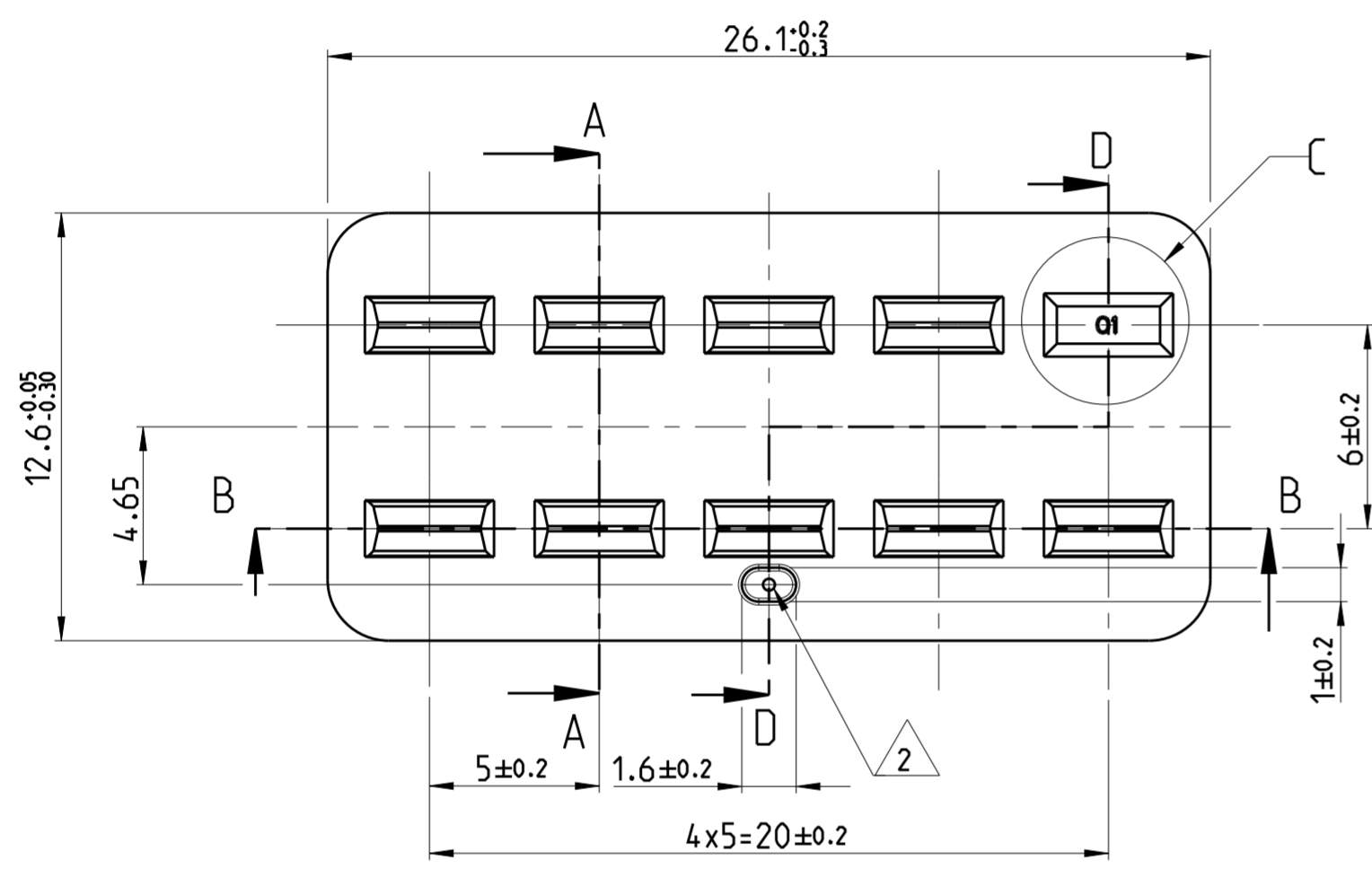
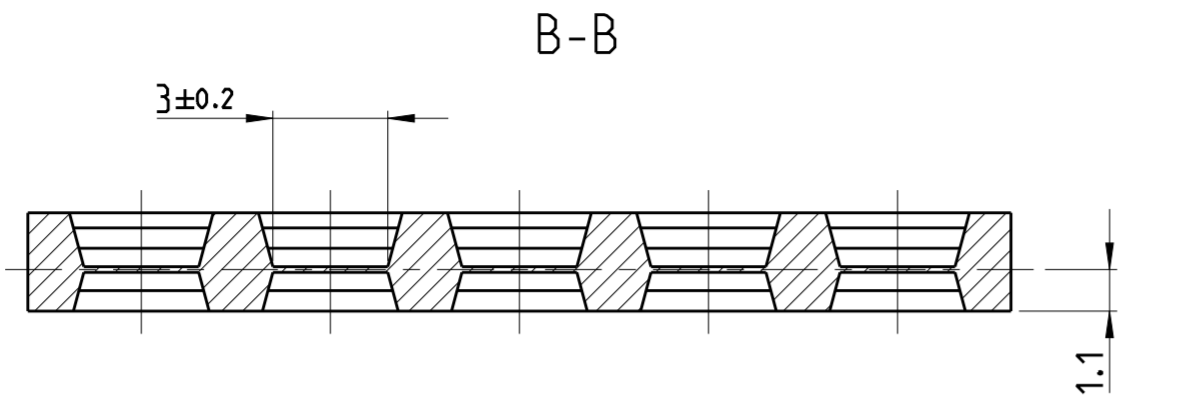


THIS DRAWING IS UNPUBLISHED. RELEASED FOR PUBLICATION 20
 © COPYRIGHT 20 BY - ALL RIGHTS RESERVED.

PROJECT NO.: A89-52111
 USED WITH 962352

P		LTR	DESCRIPTION	DATE	DWN	APVD
	A		NEW DRAWING	10FEB2015	SCK	ML



NOTES
 Bemerkungen

- 1 CAVITY MARKING RAISED, OPTIONAL IN ONE OF THE WINDOWS
 Nestmarkierung erhaben, wahlweise in einem Fenster
- 2 GATE AREA SUNK, GATEMARK MUST NOT GET THROUGH OUTER GEOMETRY
 Angußbereich vertief, Anguß darf nicht aus der äußeren Geometrie überstehen

963213-1	C	0.817	SILICON	SEAL	NATUR	1
PART NO.	REV	WEIGHT (g)	MATERIAL	DESCRIPTION	COLOR	ITEM

THIS DRAWING IS A CONTROLLED DOCUMENT.		DWN Satish ck 10FEB2015	TE Connectivity
DIMENSIONS: mm 		CHK Lacko Martin 10FEB2015	
TOLERANCES UNLESS OTHERWISE SPECIFIED: 0 PLC ±0.3 1 PLC ±0.5 2 PLC ±0.13 3 PLC ±0.013 4 PLC ±0.0001 ANGLES ±5° FINISH -		APVD -	NAME SEALING 10POS. 2.8MM TAB-HSG. Dichtung 10pol. 2.8mm Tab-Gehäuse
MATERIAL -		PRODUCT SPEC -	SIZE A2
-		APPLICATION SPEC -	CAGE CODE 00779
-		WEIGHT -	DRAWING NO 963213
-		Customer Drawing	RESTRICTED TO -
-		SCALE 5:1	SHEET 1 OF 1
-			REV A