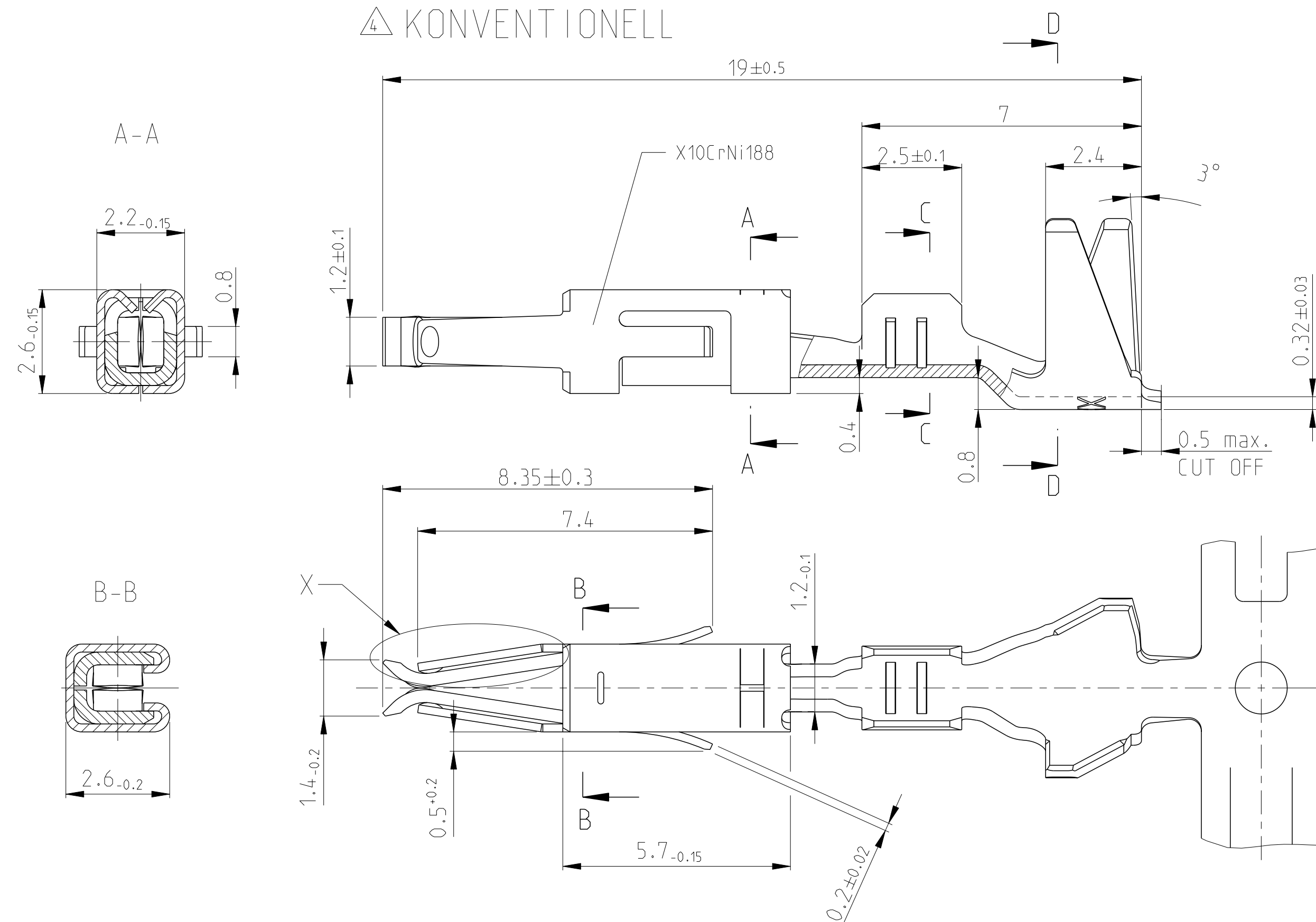


THIS DRAWING IS UNPUBLISHED. RELEASED FOR PUBLICATION. ALL RIGHTS RESERVED.

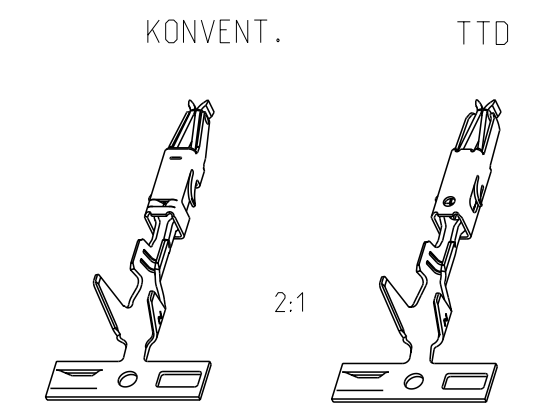
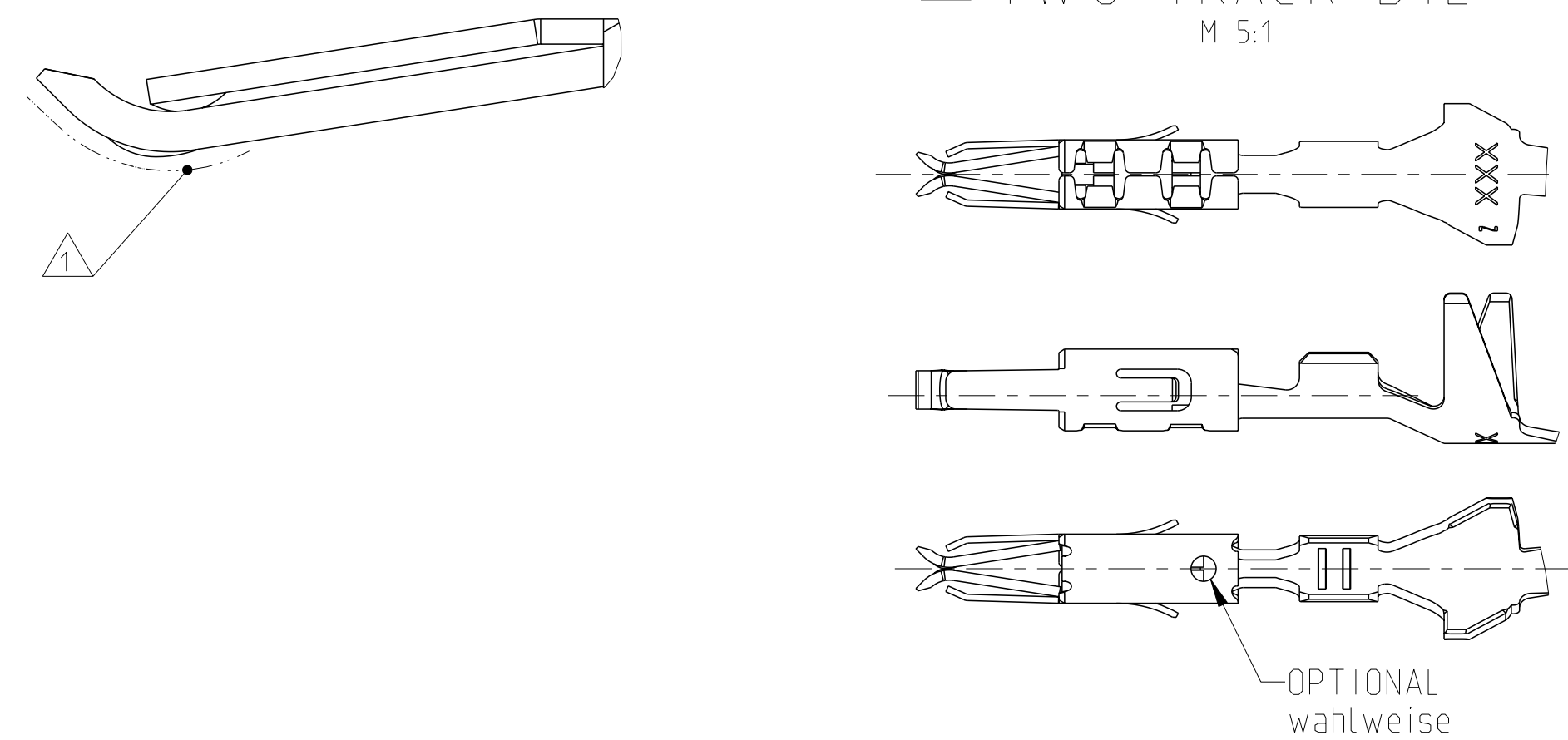
LOC		DIST		REVISIONS			
P	LTR	DESCRIPTION	DATE	DWN	APVD		
A1	-						
N4		OPTIONAL to note 5 TTD added. (area A3)	29JUN2011	Kirs	Mair		
N5		PRODUCT SPEC CORRECTED	23JUN2014	Ho.	Eder		
N6		ECR-15-012070	13AUG2015	JBH	BK		
N7		ECR-22-153377	21SEP2022	FRAN	SCHI		

4 KONVENTIONELL



- 1 SELECTIVE GOLD PLATED MIN. 0.8 µm OVER NI
selektiv vergoldet 0.8 µm ueber Ni
- 2 TIN PLATED MIN. 0.2 µm OVER NI
verzinkt 0.2 µm ueber Ni
- 3 WIRE RANGE : 0.2 - 0.5 mm²
INSULATION-Ø: 2.8 mm (SINGLE WIRE SEAL)
Drahtgroessenbereich: 0.2 - 0.5 mm²
Isolations-Ø: 2.8 mm (Einzeldichtung)

5 TWO TRACK DIE M 5:1



VERSION	SURFACE / Oberflaeche	MATERIAL	PART NO	REV
4 5	1 2	CuFe2	962875-5	N
4 5	1 2	CuSn4	962875-3	N
4 5	PRETIN / vorverzinkt	CuFe2	962875-2	N
4 5	PRETIN / vorverzinkt	CuSn4	962875-1	N

THIS DRAWING IS A CONTROLLED DOCUMENT.

DWN R.Hofer 05-JAN-89	 TE Connectivity MICRO TIMER 2 CONTACT WITH DOUBLE LOCKING LANCE mit doppelter Rastfeder				
CHK L.Nix 05-APR-89					
APVD M.Bleicher 25-JUN-08					
PRODUCT SPEC 108-18055					
MATERIAL	APPLICATION SPEC 114-18081	SIZE A2	CAGE CODE 00779	DRAWING NO C-962875	RESTRICTED TO -
	WEIGHT 0.3 g	SCALE 10:1	SHEET 1 OF 1	REV N7	

Customer Drawing

printed on 21 Sep 2022 15:58 (Mitteleurop from TE220462)