
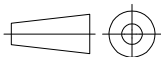


REVISIONS				
P	LTR	DESCRIPTION	DATE	APVD
	A1	NEW DRAWING PUBLISHED	10MAY2016	MR

**FOR LATEST INFORMATION OF THE PRODUCT REFER TO  
 PRODUCT GROUP DRAWING  
 2294553**  
**FUER DIE AKTUELLSTEN INFORMATIONEN ZUM PRODUKT  
 SIEHE PRODUKT-GRUPPENZEICHNUNG  
 2294553**

THIS DRAWING IS UNPUBLISHED. ALL RIGHTS RESERVED.  
 RELEASED FOR PUBLICATION  
 © COPYRIGHT - By Tyco Electronics Corporation

DIMENSIONS: mm	DWN	03AUG2015	MATERIAL	-	FINISH	-	
	CHK	03AUG2015	 TE Connectivity				
TOLERANCES UNLESS OTHERWISE SPECIFIED: ±0.2mm ±1.5°		Madesh R Gopi KT Reinhard Schäfer					NAME ø2.5mm SOCKET-CONTACT BUCHSEN-KONTAKT
0 PLC ± - 1 PLC ± - 2 PLC ± - 3 PLC ± - 4 PLC ± - ANGLES ± -	PRODUCT SPEC -	APPLICATION SPEC -	SIZE A4	CAGE CODE 00779	DRAWING NO C-962858	RESTRICTED TO -	
	WEIGHT -	CUSTOMER DRAWING			SCALE NTS	SHEET 1 OF 1	REV A1