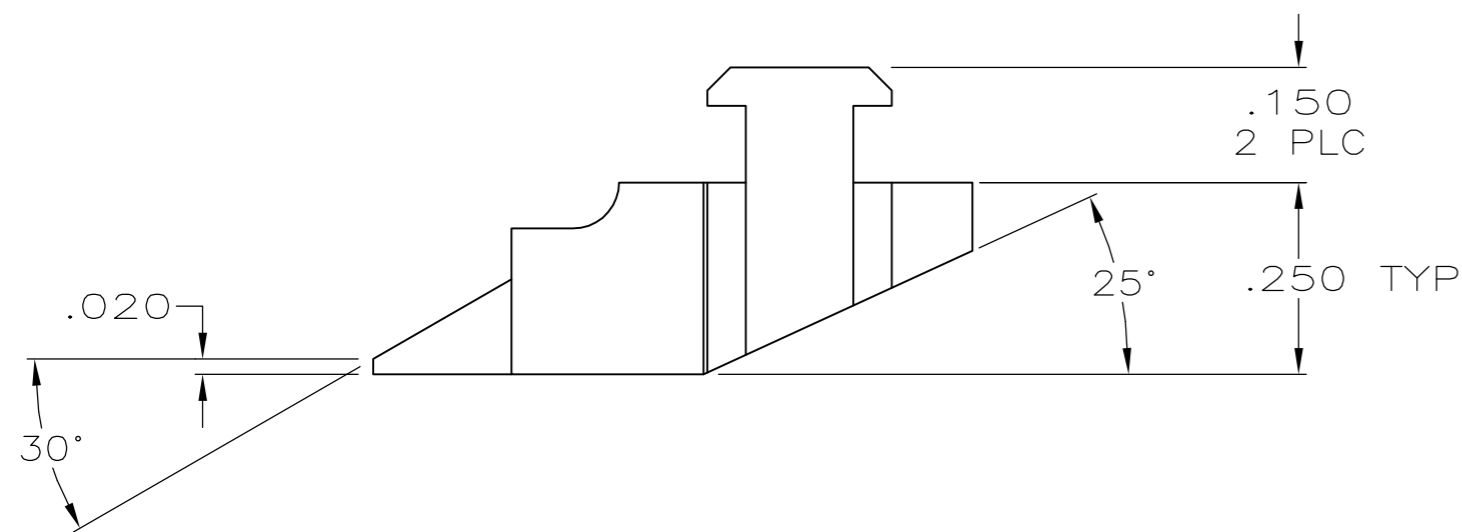
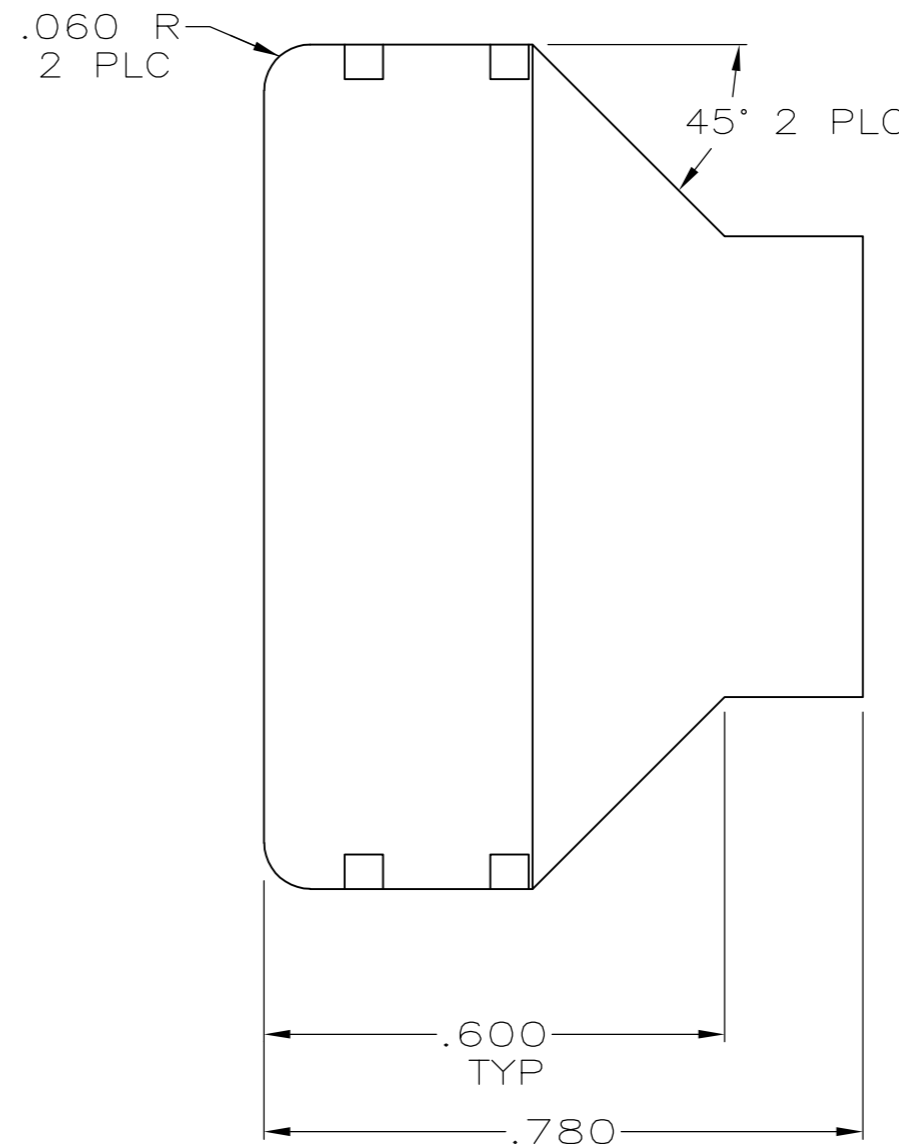
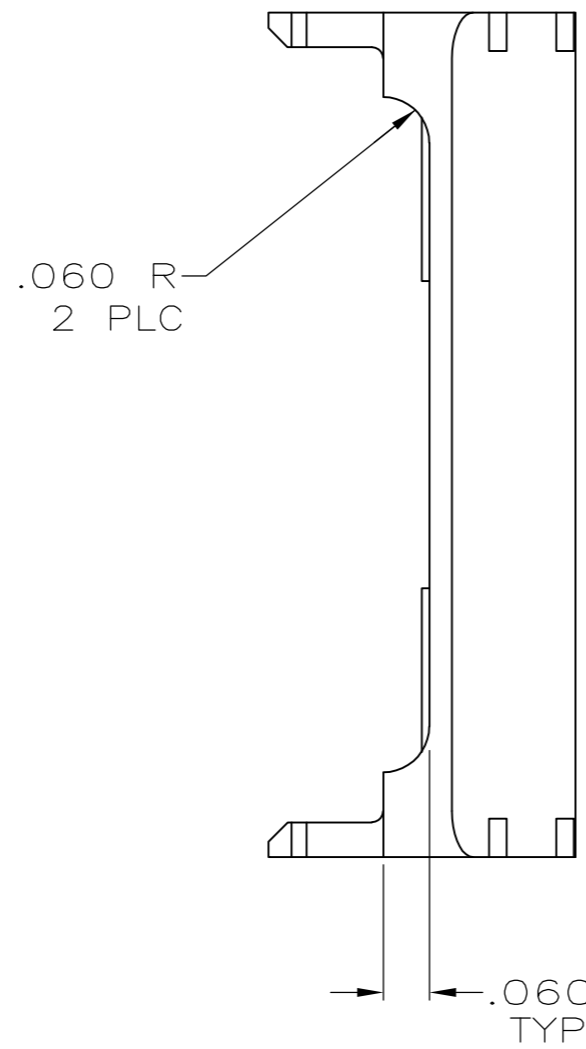
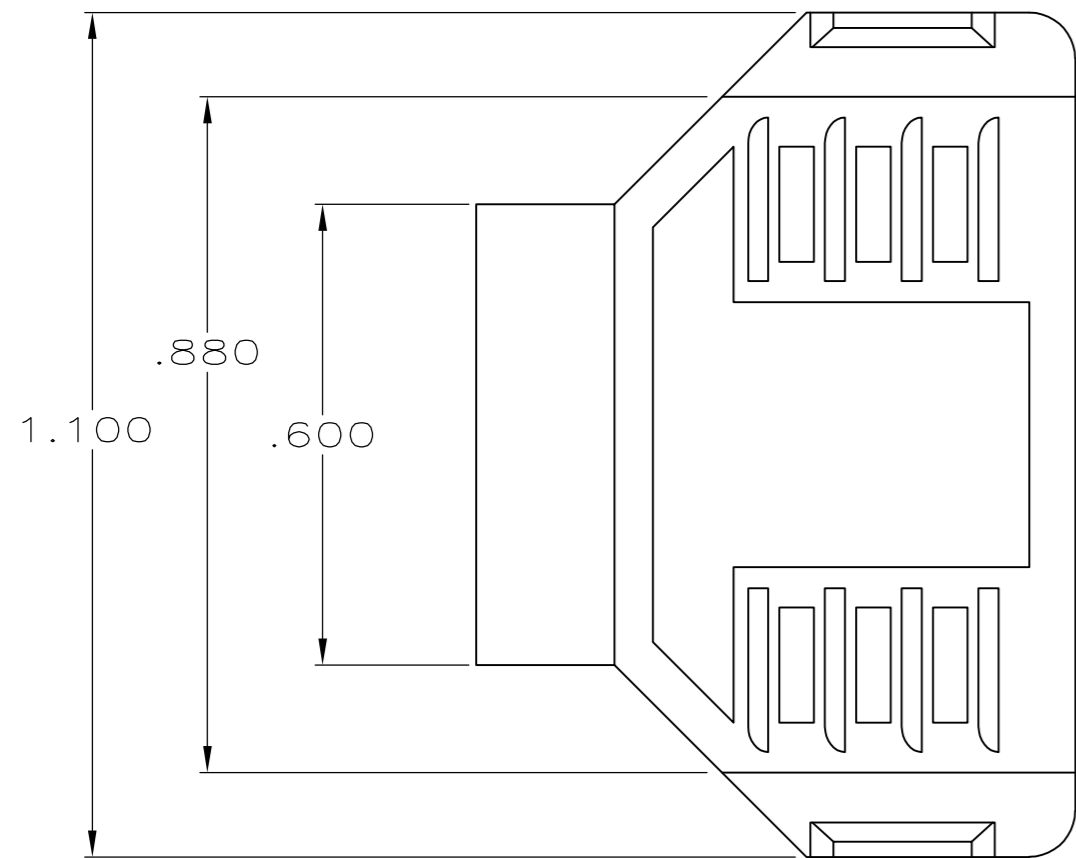


THIS DRAWING IS UNPUBLISHED. RELEASED FOR PUBLICATION
 © COPYRIGHT - By - ALL RIGHTS RESERVED.

LOC		DIST		REVISIONS			
P	LTR	DESCRIPTION	DATE	DWN	APVD		
	C	ACTIVATED PER ECO-11-022132	07NOV2011	CJV	CWR		



943060-1
 PART NUMBER

THIS DRAWING IS A CONTROLLED DOCUMENT.		DWN	W.G. LENKER	5-24-89	TE TE Connectivity																	
DIMENSIONS: INCHES		CHK	R. STONE	6-5-89																		
TOLERANCES UNLESS OTHERWISE SPECIFIED:		APVD	R.W. MYERS	6-5-89																		
<table border="1"> <tr><td>0 PLC</td><td>±</td><td>-</td></tr> <tr><td>1 PLC</td><td>±</td><td>-</td></tr> <tr><td>2 PLC</td><td>±</td><td>-</td></tr> <tr><td>3 PLC</td><td>±</td><td>.005</td></tr> <tr><td>4 PLC</td><td>±</td><td>-</td></tr> <tr><td>ANGLES</td><td>±</td><td>0° 30'</td></tr> </table>		0 PLC	±	-		1 PLC	±	-	2 PLC	±	-	3 PLC	±	.005	4 PLC	±	-	ANGLES	±	0° 30'	PRODUCT SPEC	NAME
0 PLC	±	-																				
1 PLC	±	-																				
2 PLC	±	-																				
3 PLC	±	.005																				
4 PLC	±	-																				
ANGLES	±	0° 30'																				
MATERIAL: NYLON, BEIGE		FINISH	-		APPLICATION SPEC	SIZE	CAGE CODE	DRAWING NO	RESTRICTED TO													
		WEIGHT	-		SCALE	4:1	SHEET	1 of 1	REV													
		CUSTOMER DRAWING			A2 00779 C=943060		-															