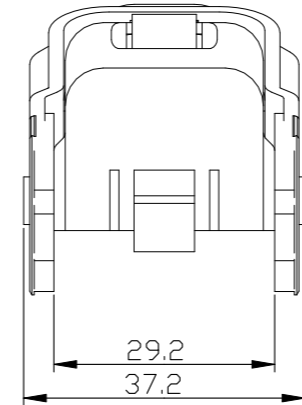
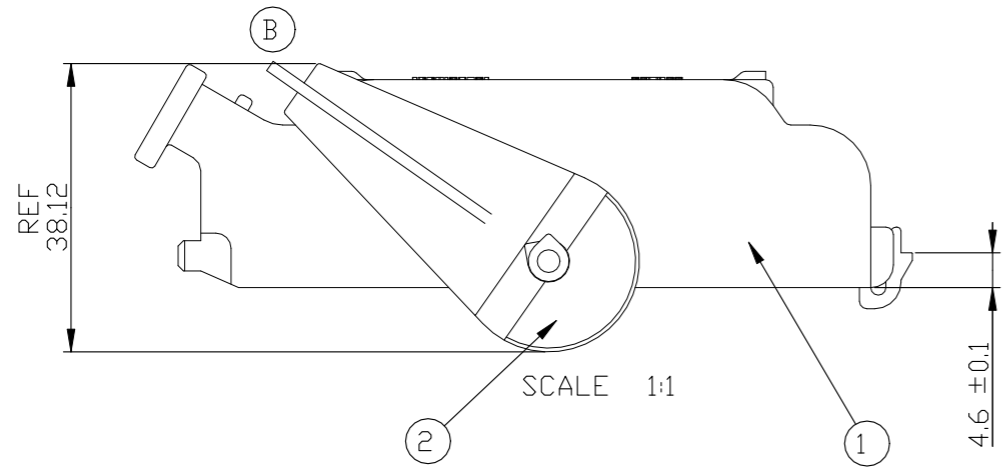
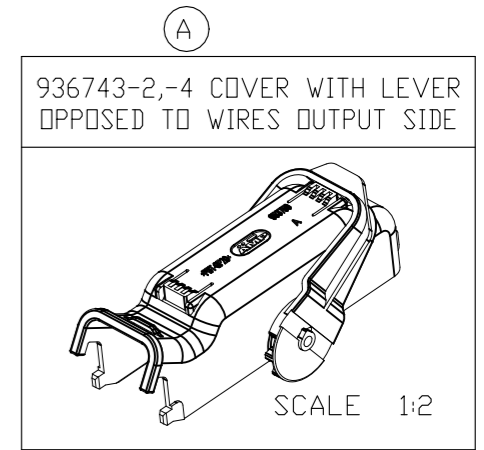
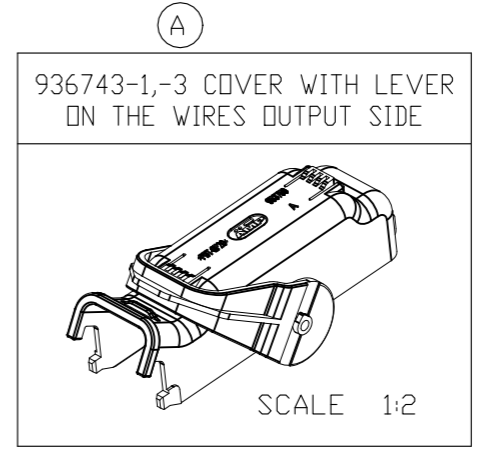
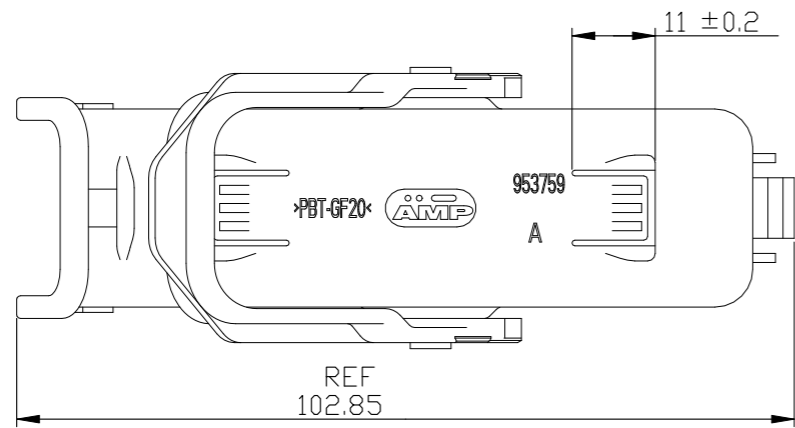


P	LTR	DESCRIPTION	DATE	DWN	APVD
	B2	REVISED PER ECR-23-177343	28SEP2023	RK	JT



OBSOLETE
OBSOLETE

ASSY P/N	Q'TY	DESCRIPTION	MATERIAL	COLOR	ITEM
936743-1	1	LEVER	PBT-GF20	YELLOW	2
936743-2	1	LEVER	PBT-GF20	BLACK	2
936743-3	1	COVER	PBT-GF20	BLACK	1
936743-4	1	COVER	PBT-GF20	BLACK	1

NOTES.
1.WARPAGE 2mm PERMITTED
2.USE WITH ASSY RECEPTACLE HOUSING 953756-X

THIS DRAWING IS A CONTROLLED DOCUMENT.		DWN YH MA	TE Connectivity				
DIMENSIONS: mm		CHK YM CHOI					
TOLERANCES UNLESS OTHERWISE SPECIFIED:		APVD JK SONG	NAME 47 WAY COVER ASSY				
0 PLC ± 0.3 1 PLC ± 0.3 2 PLC ± 0.30 3 PLC ± 0.300 4 PLC ± 0.3000 ANGLES ± 5°		PRODUCT SPEC 108-15225	-				
MATERIAL SEE TABLE		FINISH SEE TABLE	APPLICATION SPEC 411-15627	SIZE A3	CAGE CODE 00779	DRAWING NO C-936743	RESTRICTED TO -
CUSTOMER DRAWING			WEIGHT 21.3 g	SCALE 1:1	SHEET 1 OF 1	REV B2	