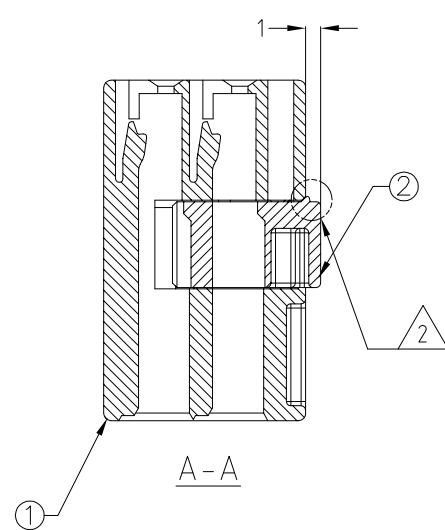
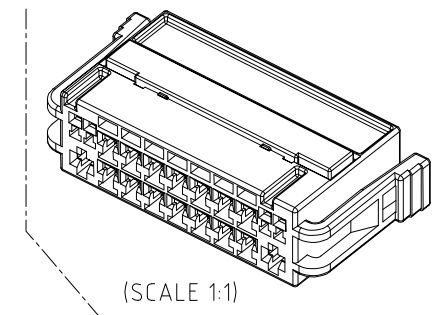
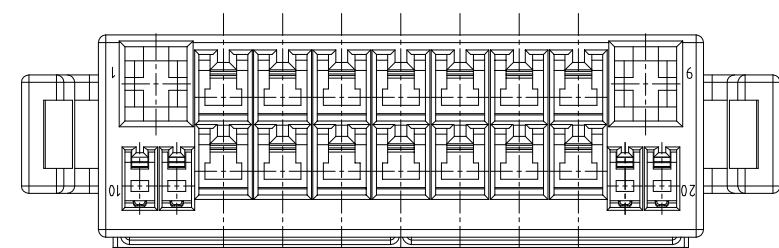
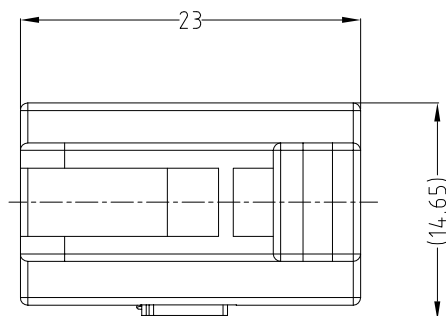
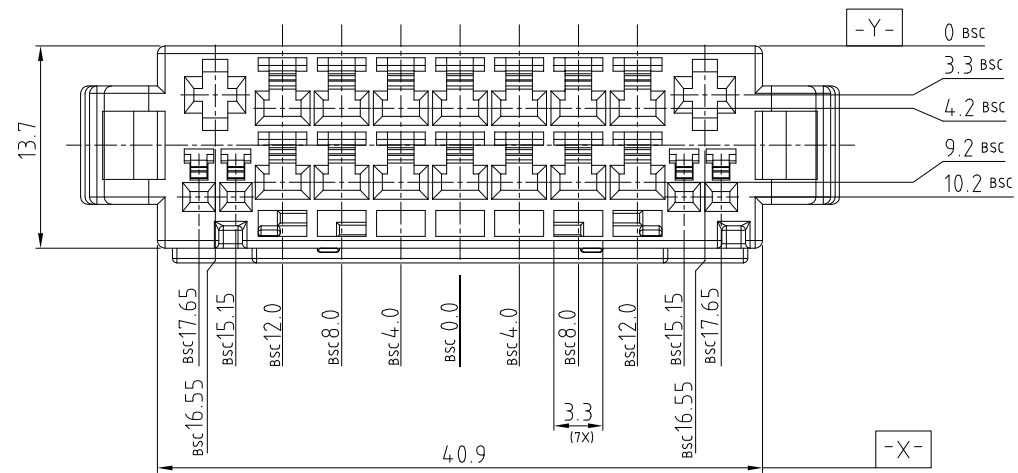


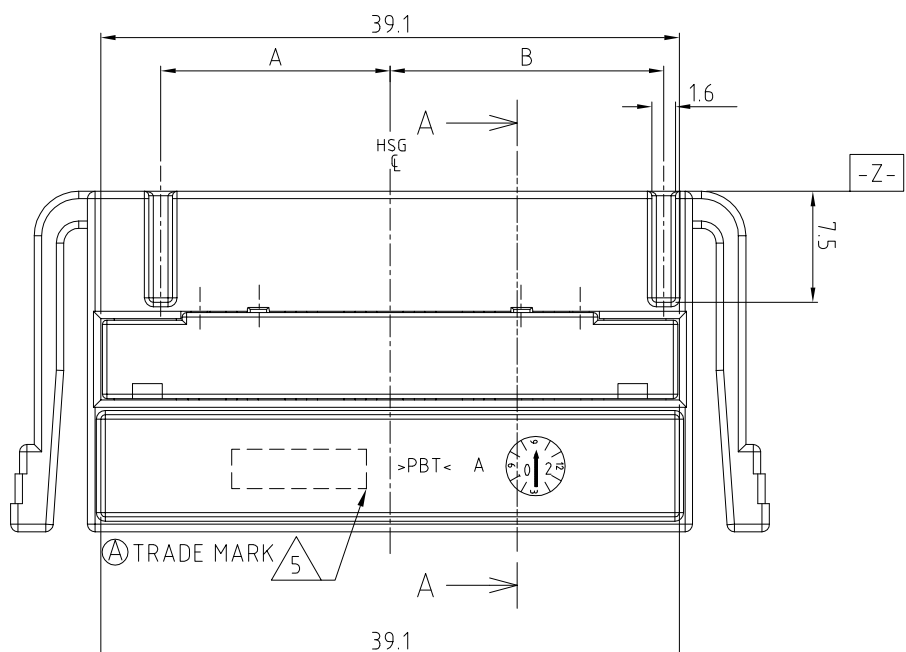
REVISIONS

P	LTR	DESCRIPTION	DATE	DWN	APVD
	A	REVISED (ECR-16-006752)	09/MAY/16	YJ	KT



NOTES:

- GENERAL TOLERANCE IS ± 0.3
- CONDITION OF DELIVERY :
DBL IN 1ST LOCKING POSITION
- APPLIED MAIN PLUG ASS'Y P/N: 936514
- APPLIED RECEPTACLE CONTACT P/N : TABLE 1
APPLIED PLUG ASS'Y KEY CODING : TABLE 2



ASSEMBLY PART NO.

0-936517-7	0-936517-6	0-936517-5	0-936517-4	0-936517-3
1	1	1	1	1
1	-	-	-	-
-	1	-	-	-
-	-	1	-	-
-	-	-	1	-
-	-	-	-	1

<KEY CODING> <TABLE 2>

P/N	A (± 0.1)	B (± 0.1)
0-936517-7	17.9	16.2
0-936517-6	17.9	17
0-936517-5	17.9	18.5
0-936517-4	16.7	18.5
0-936517-3	15.5	18.5

NO.	P/N	DESCRIPTION	MATERIAL	COLOR	Q'TY
②	0-936519-1	DBL HSG	PBT	WHITE	1
①	0-936518-7	PLUG HSG	PBT	GREEN	1
①	0-936518-6	PLUG HSG	PBT	RED	1
①	0-936518-5	PLUG HSG	PBT	YELLOW	1
①	0-936518-4	PLUG HSG	PBT	BROWN	1
①	0-936518-3	PLUG HSG	PBT	GRAY	1

<REC. TML> <TABLE 1>

TYPE	Part NO.	WIRE SIZE(mm ²)
.040	316836-1	0.3-0.5
	316838-1	0.85-1.25
.090	368083-1	2.0
	368084-1	0.85-1.25
JPT	1355046-3	0.5-1.0
	927771-3	1.5-2.5

THIS DRAWING IS A CONTROLLED DOCUMENT FOR TYCO ELECTRONICS CORPORATION. IT IS SUBJECT TO CHANGE AND THE CONTROLLING ENGINEERING ORGANIZATION SHOULD BE CONTACTED FOR THE LATEST REVISION.

DWN : YJ KIM
CHK : DG JEONG
APVD : KT LIM

TE Connectivity

PLUG ASSEMBLY FOR .040/.090/JPT HYBRID 20P CONNECTOR

NAME: PLUG ASSEMBLY FOR .040/.090/JPT HYBRID 20P CONNECTOR

SIZE: A3 CAGE CODE: 00779 DRAWING NO: 936517 RESTRICTED TO: []

SCALE: 2/1 SHEET: 1 OF 1 REV: A