

4

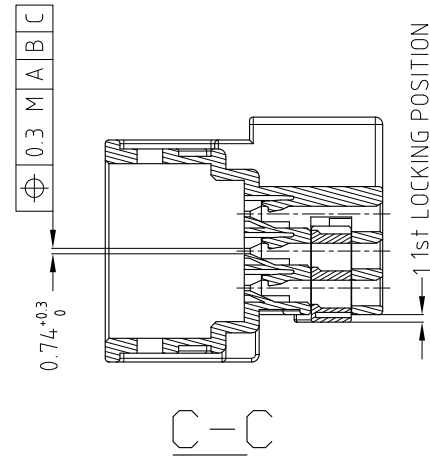
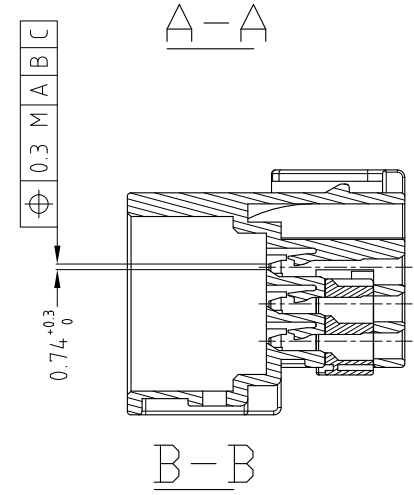
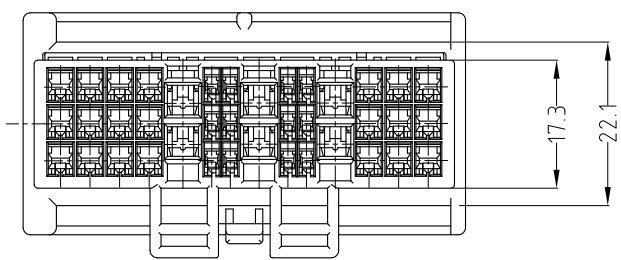
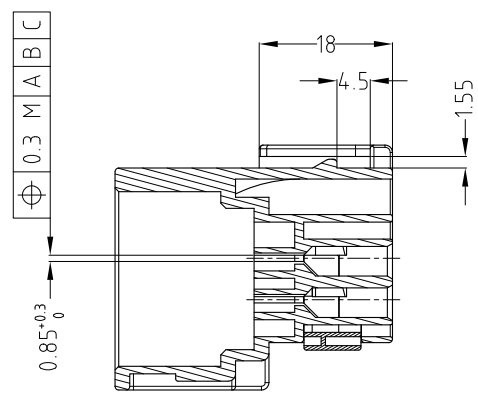
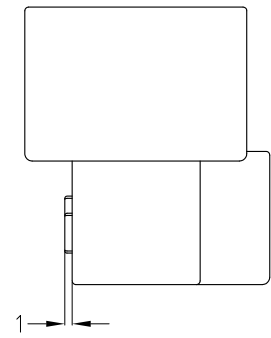
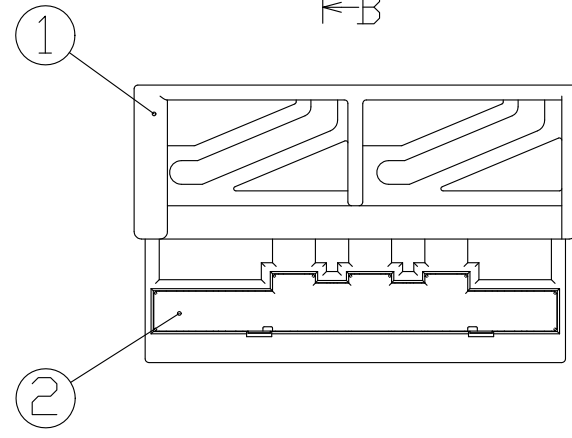
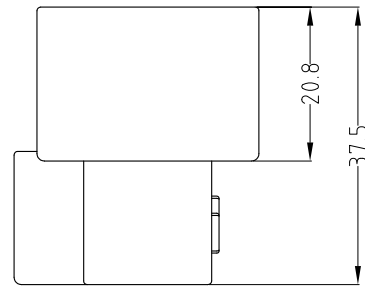
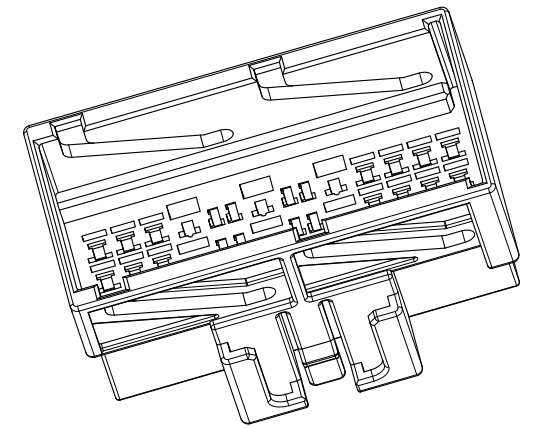
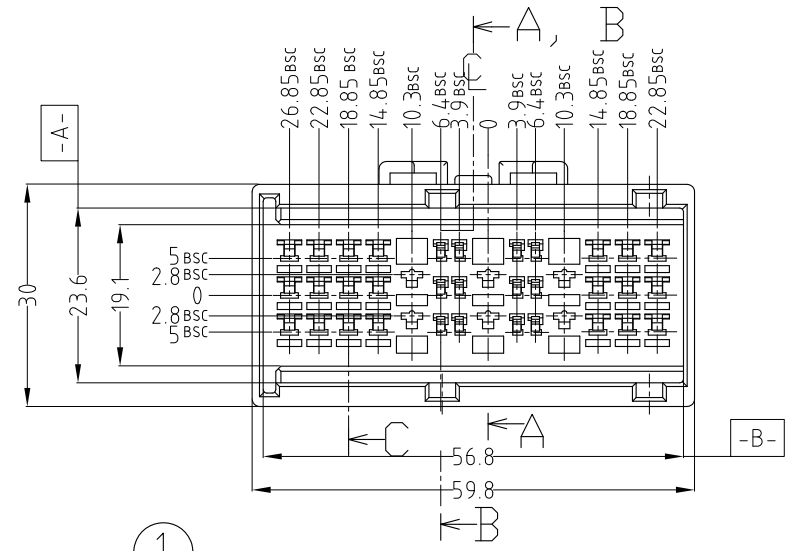
3

2

1

THIS DRAWING IS UNPUBLISHED. RELEASED FOR PUBLICATION
COPYRIGHT BY TYCO ELECTRONICS CORPORATION, ALL RIGHTS RESERVED.

LOC	DIST	REVISIONS					
		P	LTR	DESCRIPTION	DATE	DWN	APVD
DS	-		B	REVISED (FC00-0024-04)	10.FEB.'04	MS	CS
			B1	REVISED (ECR-09-012692)	10.JUN.'09	KT	HG



NOTE.

- APPLICABLE CONTACT P/N:
.040 TAB (353537-1, 1123654-1)
.090 TAB (368088-1, 368087-1, 368086-1)
2.8mm FASTIN TAB (160923-2, 928781-2)
- BE MATED WITH PLUG HSG (P/N: 936405) SMOOTHLY.

ASSY P/N	(B1)	(B1)
936409-2	1	1
936409-1	1	1

NO.	COLOR	MATERIAL	DESCRIPTION	P/N	QTY
2	NATURAL	PBT	DBL	936411-1	1
1	BLACK	PBT GF15	CAP HSG	936410-2	1
1	NATURAL	PBT GF15	CAP HSG	936410-1	1

THIS DRAWING IS A CONTROLLED DOCUMENT FOR TYCO ELECTRONICS CORPORATION IT IS SUBJECT TO CHANGE AND THE CONTROLLING ENGINEERING ORGANIZATION SHOULD BE CONTACTED FOR THE LATEST REVISION.

DIMENSIONS: MM	TOLERANCES UNLESS OTHERWISE SPECIFIED: 0 <XX<10 ± 0.2 10<XX<30 ± 0.25 30<XX ± 0.3 ANGLES ± 3°
MATERIAL	FINISH
SEE TABLE	

DWN KT JUNG
CHK JW JUNG
APVD HG CHD
PRODUCT SPEC -
APPLICATION SPEC -
WEIGHT -

Tyco Electronics AMP KOREA, Kyungsan, Korea

NAME: CAP ASSEMBLY FOR HYBRID 39P

SIZE: A3 CAGE CODE: 00779 DRAWING NO: 936409 RESTRICTED TO: -

CUSTOMER DRAWING SCALE 3/1 SHEET 1 OF 1 REV B1