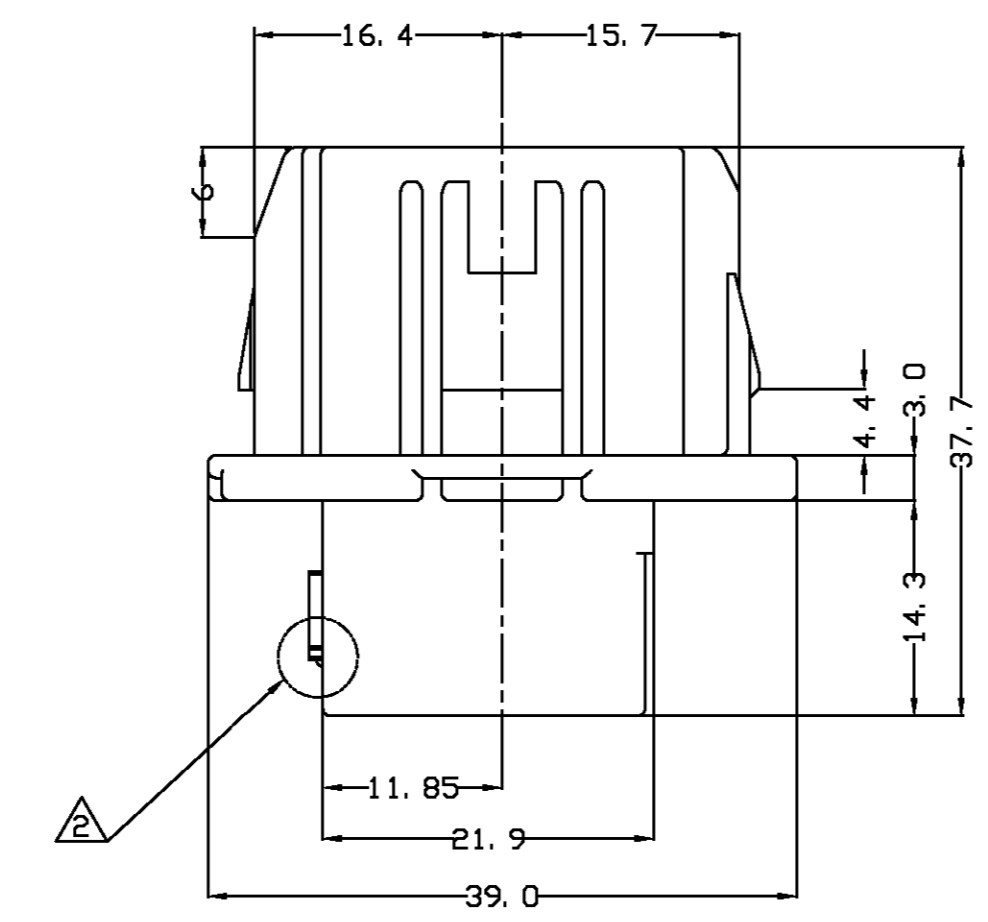
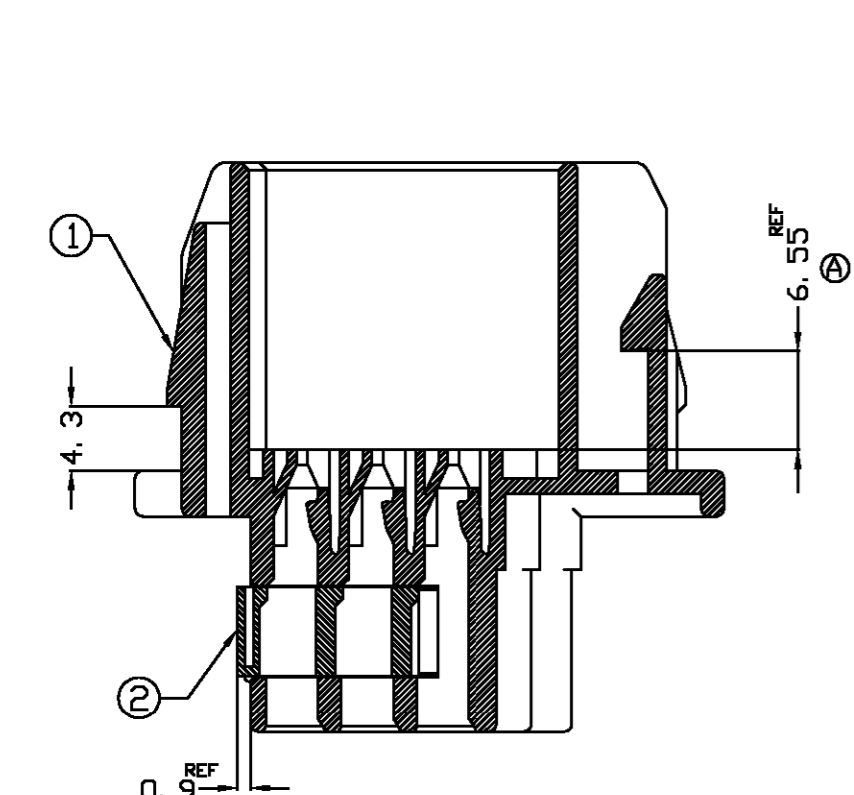
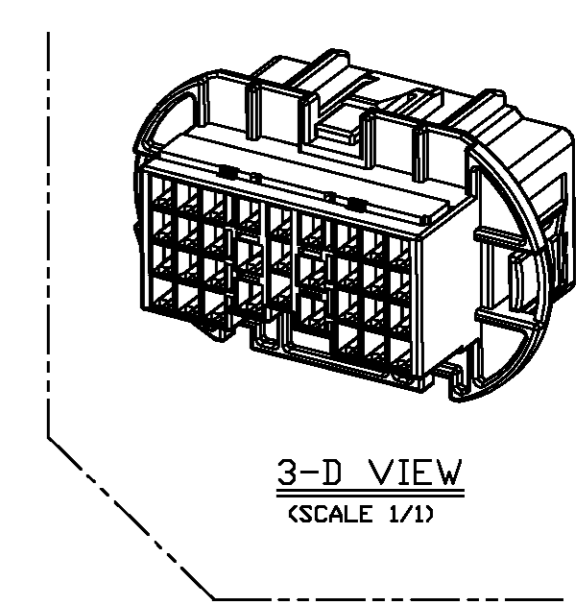
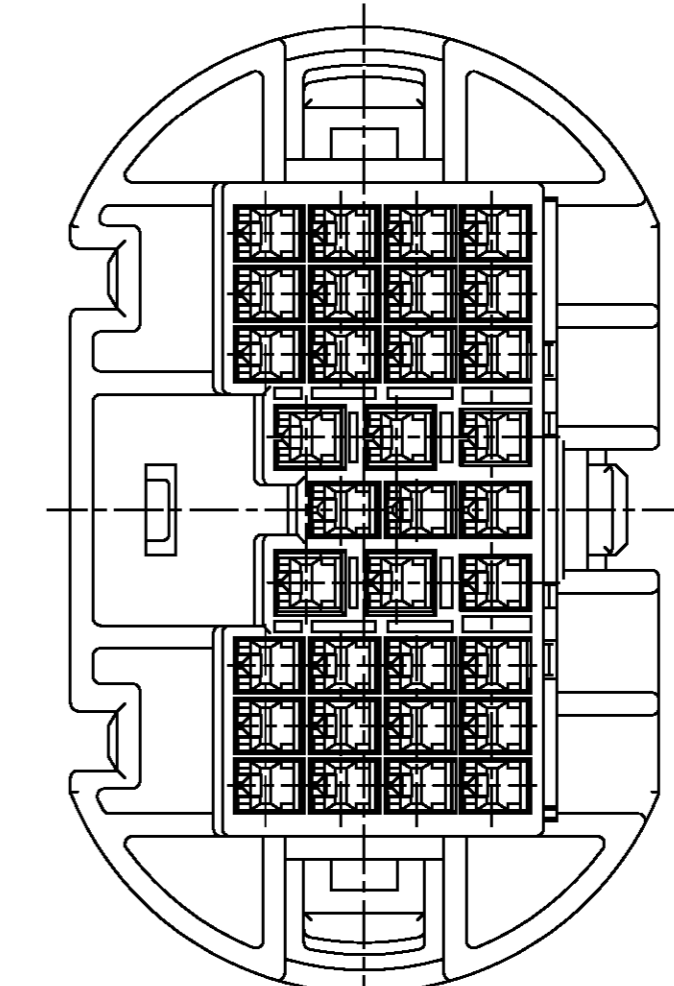
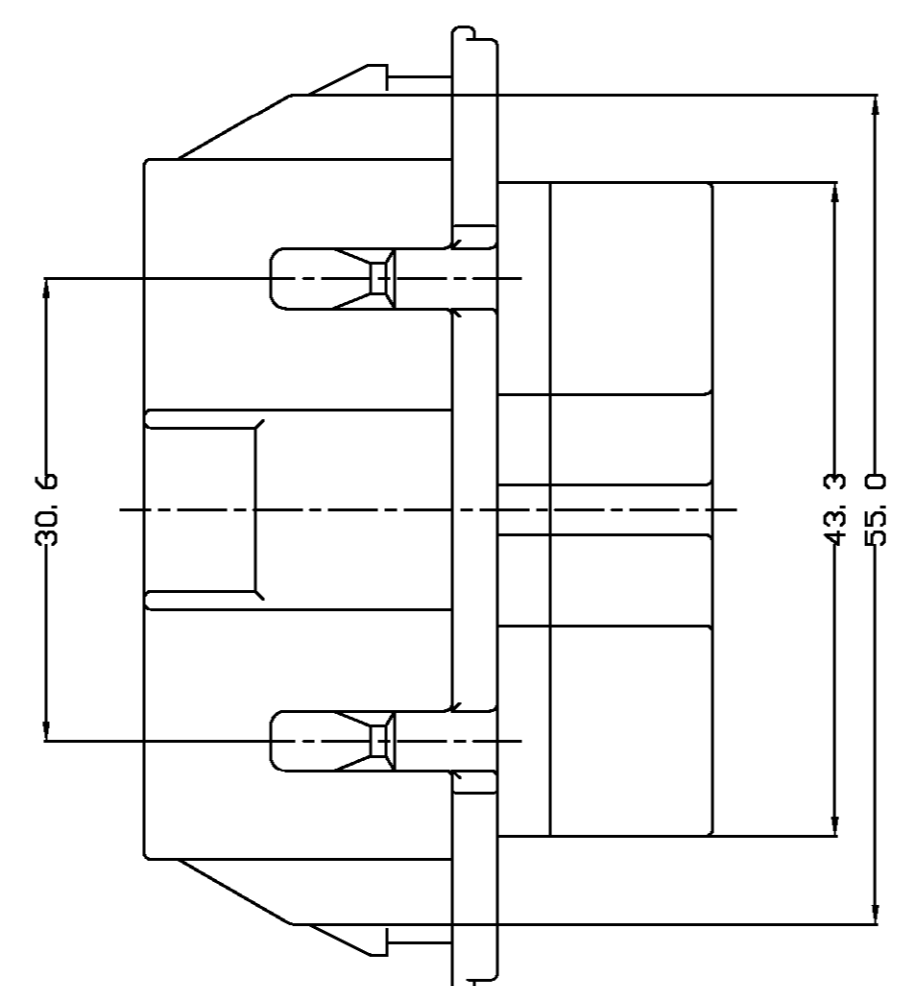
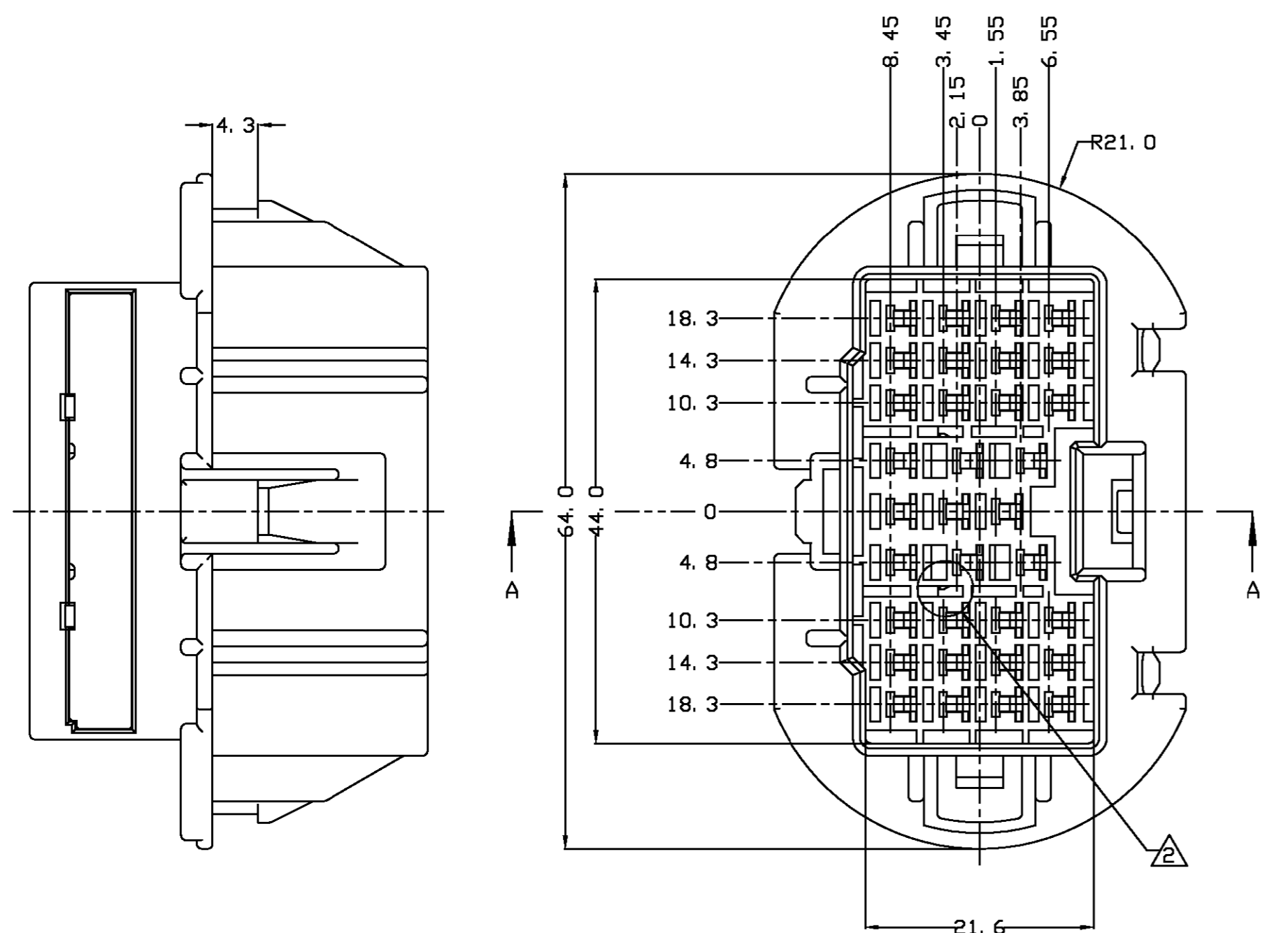
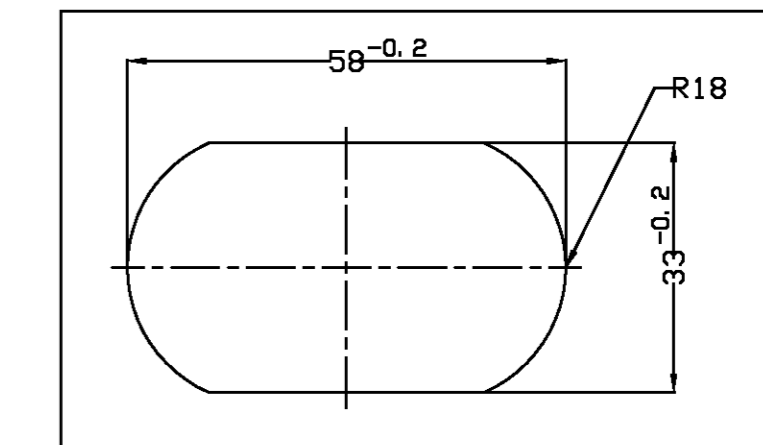


THIS DRAWING IS UNPUBLISHED. RELEASED FOR PUBLICATION  
 © COPYRIGHT BY TYCO ELECTRONICS CORPORATION, ALL RIGHTS RESERVED.

LOC	DIST	REVISIONS					
DS		P	LTR	DESCRIPTION	DATE	DWN	APVD
		□		RELEASED(FC00-0040-02)	2002 26, FEB	HS	CS
		A		REVISED(FC00-0115-02)	2002 06, AUG	HS	CS



- NOTES
- GENERAL TOLERANCE IS ±0.3
  - CONDITION OF DELIVERY : DBL IN 1 ST LOCKING POSITION
  - PANAL LAYOUT :



NO	P/N	DESCRIPTION	MATERIAL	COLOR	Q' TY
2	936282-1	DBL HSG	P. B. T	WHITE	1
1	936281-1	CAP HSG	P. B. T	WHITE	1

<small>THIS DRAWING IS A CONTROLLED DOCUMENT FOR TYCO ELECTRONICS CORPORATION. IT IS SUBJECT TO CHANGE AND THE CONTROLLING DIMENSIONING ORGANIZATION SHOULD BE CONTACTED FOR THE LATEST REVISION.</small>		DWN : HS BAE CHK : BM JANG APVD : CS LEE		<b>tyco</b> Electronics AMP KOREA, kyungsan, korea	
DIMENSIONS: MM 		TOLERANCES UNLESS OTHERWISE SPECIFIED: 0 <XX<10 ± 0.2 10<XX<30 ± 0.25 30<XX ± 0.3 ANGLES ± 3°		NAME .090/JPT 33P CAP ASS'Y FOR DOOR TO BODY	
MATERIAL SEE TABLE		FINISH WEIGHT		SIZE A200779	
				DRAWING NO G-936280	
				RESTRICTED TO	
				SCALE 2:1 SHEET 1 OF 1 REV A	