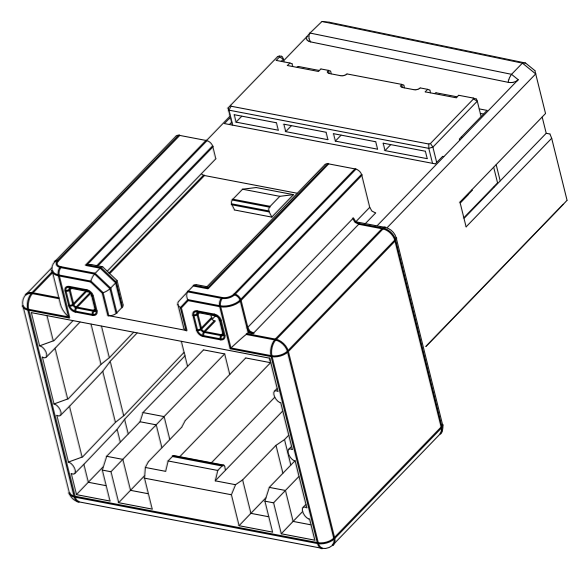
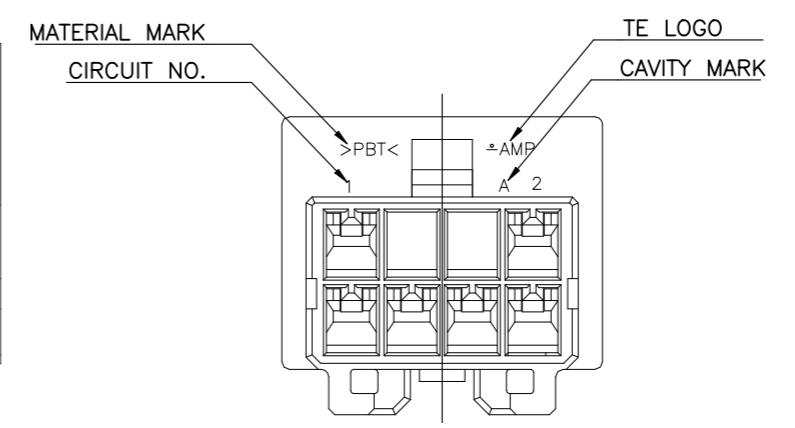
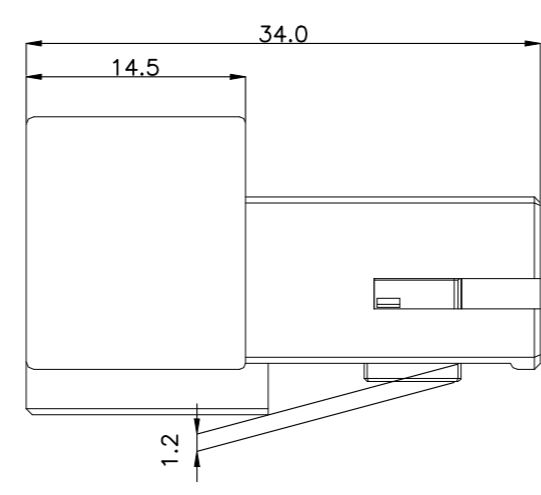
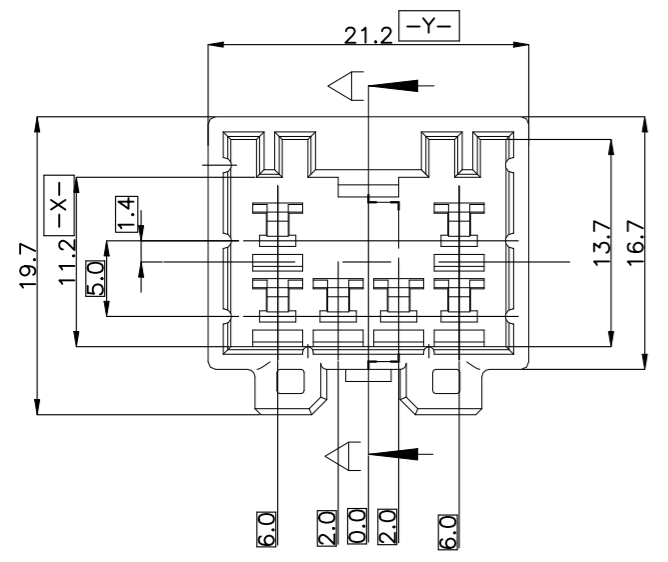
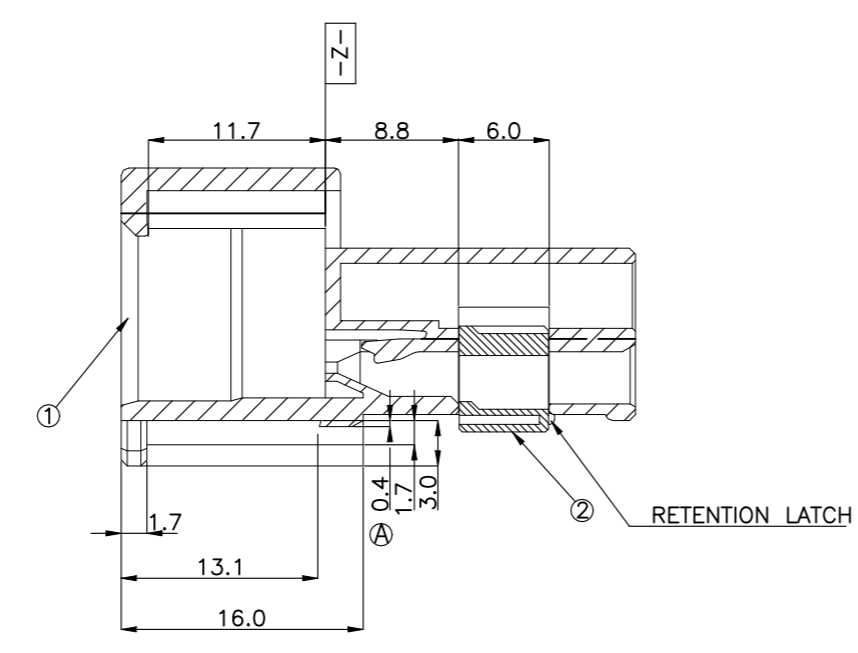
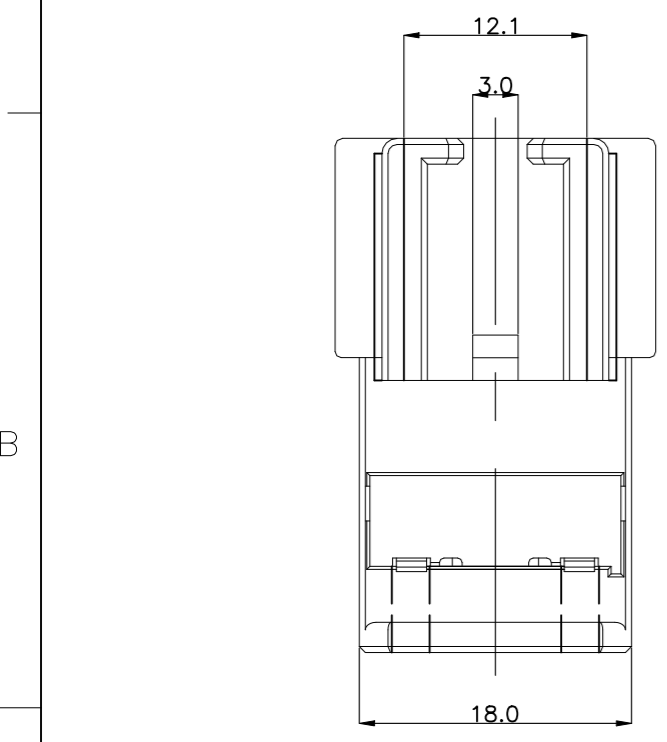


REVISIONS					
P	LTR	DESCRIPTION	DATE	DWN	APVD
	C3	REVISED (ECR-23-172163)	13APR2023	HG	YJ



3D VIEW



SECTION A-A

- NOTES.
- THE MATING HSG. P/N ; 936268
  - APPLIED CONTACT P/N ; 090 II TAB. - 368086, 368087, 368088, 1897752

- 추가-
- 상대 하우징 P/N. ; 936268
  - 적용단자 P/N. ; 090 II TAB. - 368086, 368087, 368088, 1897752

NO	COLOR	MATERIAL	DESCRIPTION	P/N	QTY
1	BLUE	PBT	PLUG	0-936272-8	1
	GREEN	PBT	PLUG	0-936272-7	1
	RED	PBT	PLUG	0-936272-6	1
	YELLOW	PBT	PLUG	0-936272-5	1
	BROWN	PBT	PLUG	0-936272-4	1
	D/GRAY	PBT	PLUG	0-936272-3	1
	BLACK	PBT	PLUG	0-936272-2	1
	NATURAL	PBT	PLUG	0-936272-1	1
2	NATURAL	PBT	DBL	0-936270-1	1 1 1 1 1 1 1 1

TOLERANCES UNLESS OTHERWISE SPECIFIED:

0 <XX<10	± 0.2
10<XX<30	± 0.25
30<XX	± 0.3
ANGLES	± 3°

THIS DRAWING IS A CONTROLLED DOCUMENT.

DIMENSIONS:	TOLERANCES UNLESS OTHERWISE SPECIFIED:
mm	
	0 PLC ± -
	1 PLC ± -
	2 PLC ± -
	3 PLC ± -
	4 PLC ± -
	ANGLES ± -
MATERIAL	FINISH
SEE TABLE	-

DWN	KT JUNG			 TE Connectivity					
CHK	JW JUNG								
APVD	HG CHO								
PRODUCT SPEC									
APPLICATION SPEC				090III 6P CAP ASS'Y (2ROW)					
WEIGHT	-	SIZE	A3 00779	CAGE CODE	C-936271	DRAWING NO		RESTRICTED TO	
CUSTOMER DRAWING		SCALE	2:1	SHEET	1 OF 2	REV	C3		