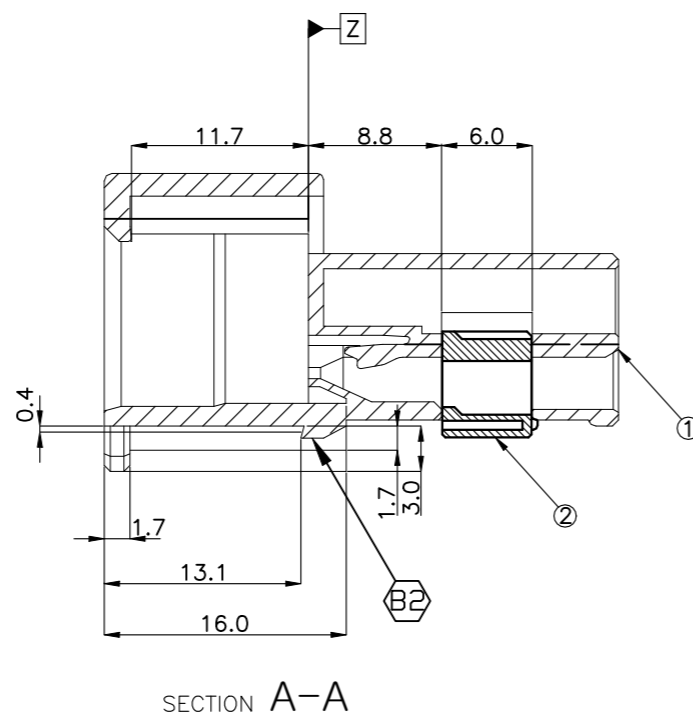
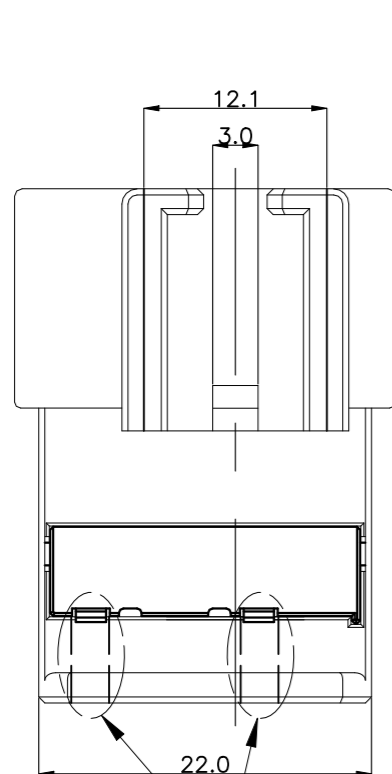
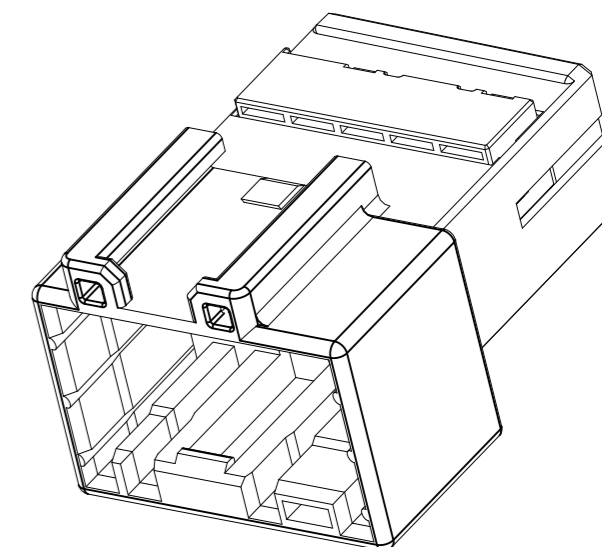
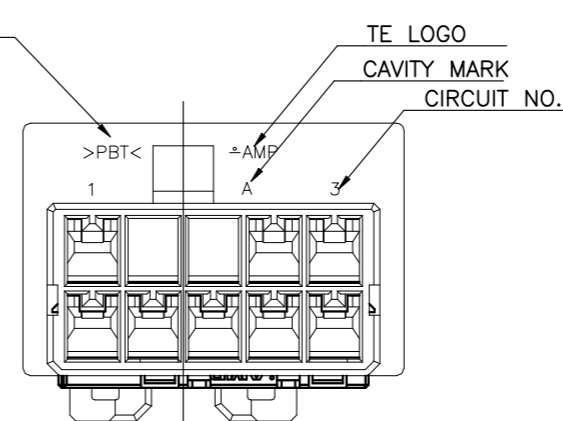
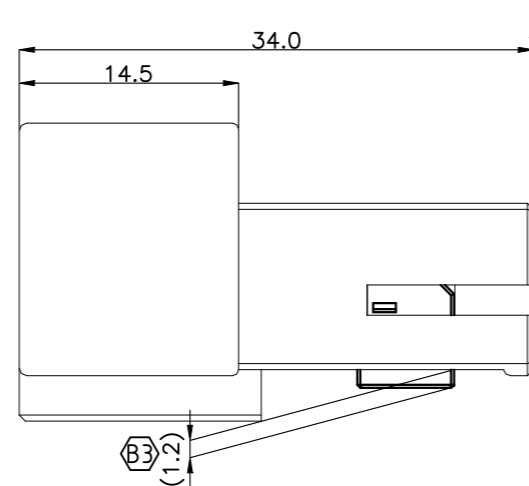
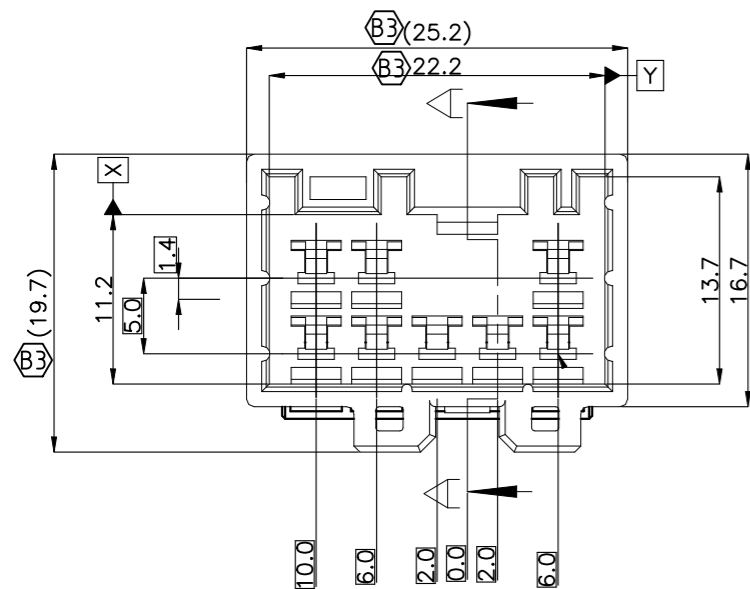


REVISIONS

P	LTR	DESCRIPTION	DATE	DWN	APVD
B4		REVISED(ECR-22-135846)	13APR2022	HG	YJ



NOTES.

- THE MATING HSG. P/N ; 936233
- APPLIED CONTACT P/N ; 090 III TAB. - 368086, 368087, 368088, 1897752
- GENERAL TOLERANCES

- 0 <XX<10 ± 0.2
- 10<XX<30 ± 0.25
- 30<XX ± 0.3
- ANGLES ± 3°

ASSY P/N
0-936242-8
0-936242-7
0-936242-6
0-936242-5
0-936242-4
0-936242-3
0-936242-2
0-936242-1

NO	COLOR	MATERIAL	DESCRIPTION	P/N	QTY
1	BLUE	PBT	CAP	0-936243-8	1
	GREEN	PBT	CAP	0-936243-7	1
	RED	PBT	CAP	0-936243-6	1
	YELLOW	PBT	CAP	0-936243-5	1
	BROWN	PBT	CAP	0-936243-4	1
	D/GRAY	PBT	CAP	0-936243-3	1
	BLACK	PBT	CAP	0-936243-2	1
	NATURAL	PBT	CAP	0-936243-1	1
2	NATURAL	PBT	DBL	0-936235-1	1 1 1 1 1 1 1 1

B3 CORRECT CHANGED THE POSITION OF MISMATCH FOR ERROR DRAWING

THIS DRAWING IS A CONTROLLED DOCUMENT.

DIMENSIONS: mm	TOLERANCES UNLESS OTHERWISE SPECIFIED:
	0 PLC ± -
	1 PLC ± -
	2 PLC ± -
	3 PLC ± -
	4 PLC ± -
	ANGLES ± -
MATERIAL SEE TABLE	FINISH -

DWN WY JANG	TE Connectivity 090 III 8P CAP ASS'Y			
CHK JW JUNG				
APVD JK SONG				
PRODUCT SPEC				
APPLICATION SPEC	NAME			
WEIGHT 0	SIZE A3	CAGE CODE 00779	DRAWING NO C-936242	RESTRICTED TO
CUSTOMER DRAWING		SCALE 2:1	SHEET 1 OF 1	REV B4