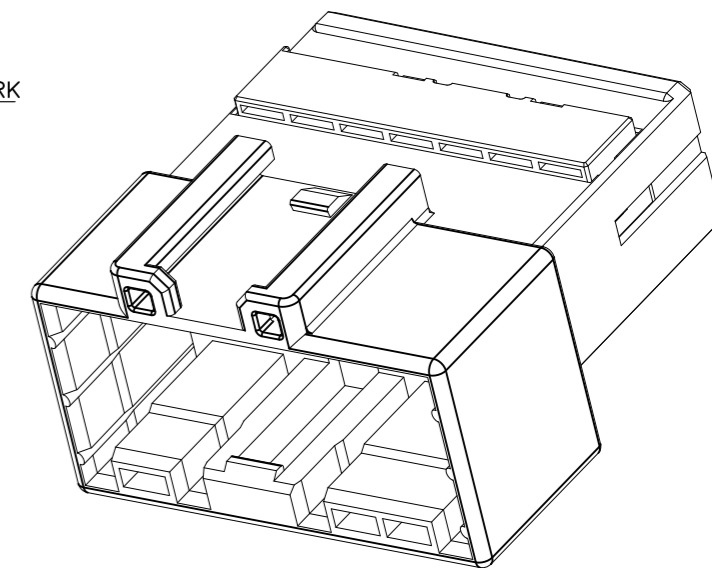
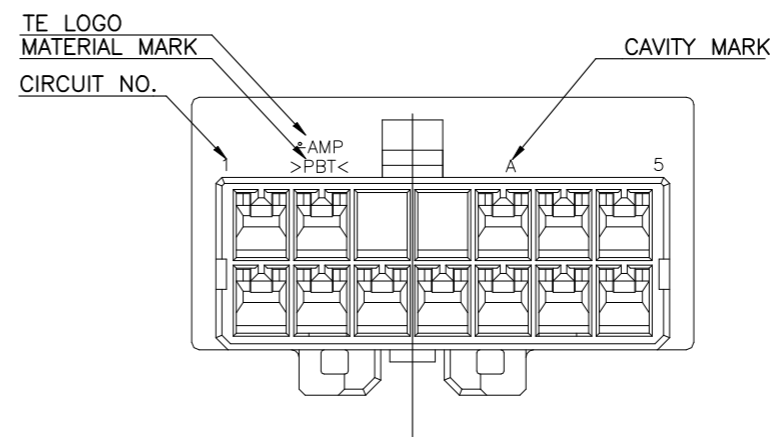
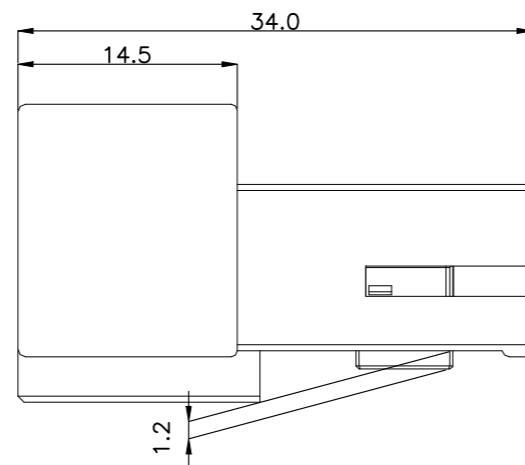
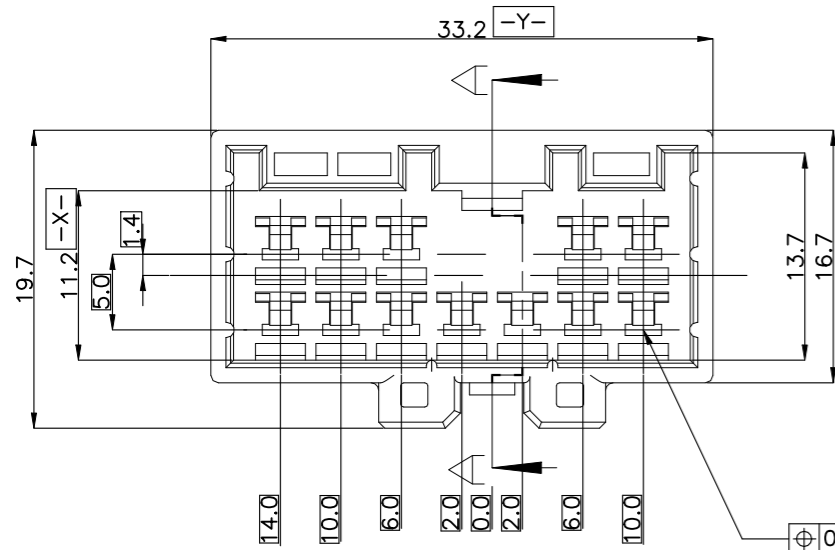
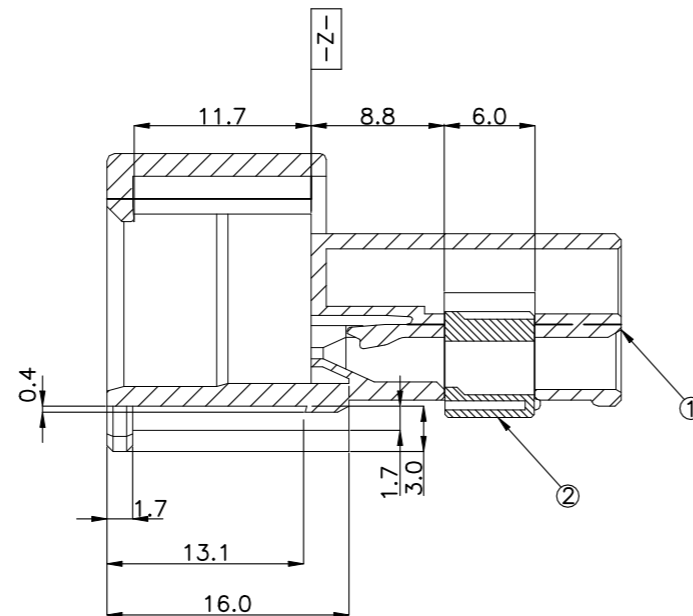
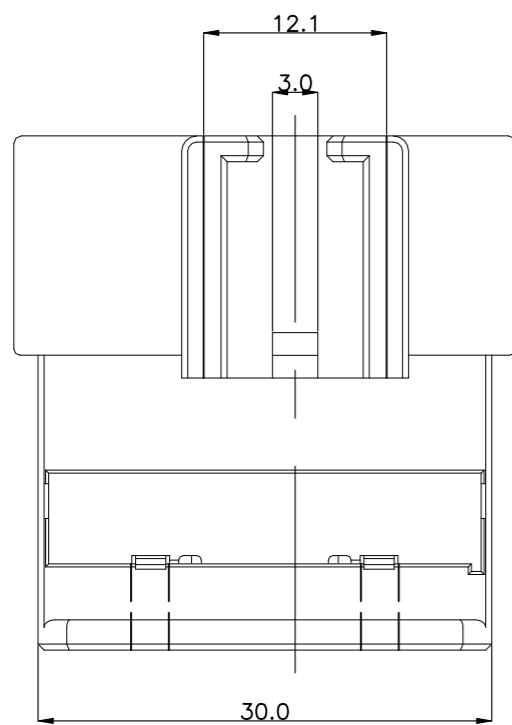


P	LTR	DESCRIPTION	DATE	DWN	APVD
	A2	REVISED PER ECR-23-177343	19MAY2023	RK	JT



⊕ 0.15M Z X (M) Y (M)



SECTION A-A

NOTES.

- THE MATING HSG. P/N ; 936196
- APPLIED CONTACT P/N ; 090 II TAB.- 368086, 368087, 368088, 1897752

-추가-

- 상대 하우징 P/N. ; 936196
- 적용단자 P/N. ; 090 II TAB.- 368086, 368087, 368088, 1897752

NO	COLOR	MATERIAL	DESCRIPTION	P/N	QTY
1	BLUE	PBT	CAP	0-936208-8	1
	YELLOW	PBT	CAP	0-936208-5	1
	BROWN	PBT	CAP	0-936208-4	1
	D/GRAY	PBT	CAP	0-936208-3	1
	BLACK	PBT	CAP	0-936208-2	1
2	NATURAL	PBT	CAP	0-936208-1	1
	NATURAL	PBT	DBL	0-936198-1	1

ASSY P/N	QTY
0-936207-8	1
0-936207-5	1
0-936207-4	1
0-936207-3	1
0-936207-2	1
0-936207-1	1

THIS DRAWING IS A CONTROLLED DOCUMENT.

DIMENSIONS: mm	TOLERANCES UNLESS OTHERWISE SPECIFIED:
	0 PLC ± -
	1 PLC ± -
	2 PLC ± -
	3 PLC ± -
	4 PLC ± -
MATERIAL SEE TABLE	FINISH -

TOLERANCES UNLESS OTHERWISE SPECIFIED:	
0 <XX<10	± 0.2
10<XX<30	± 0.25
30<XX	± 0.3
ANGLES	± 3°

DWN KT JUNG	TE Connectivity		
CHK JW JUNG	NAME		
APVD HG CHO	090III 12P CAP ASS'Y		
PRODUCT SPEC	-		
APPLICATION SPEC	-		
WEIGHT	SIZE A3	CAGE CODE 00779	DRAWING NO C-936207
CUSTOMER DRAWING		SCALE 1:1	SHEET 1 OF 1
		RESTRICTED TO	REV A2