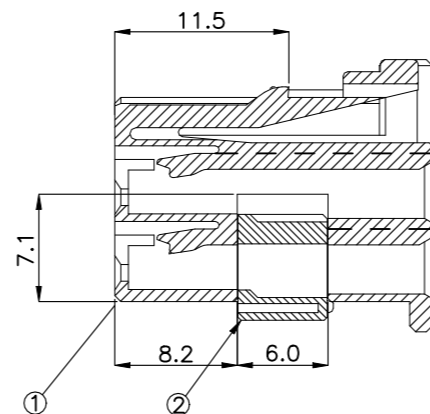
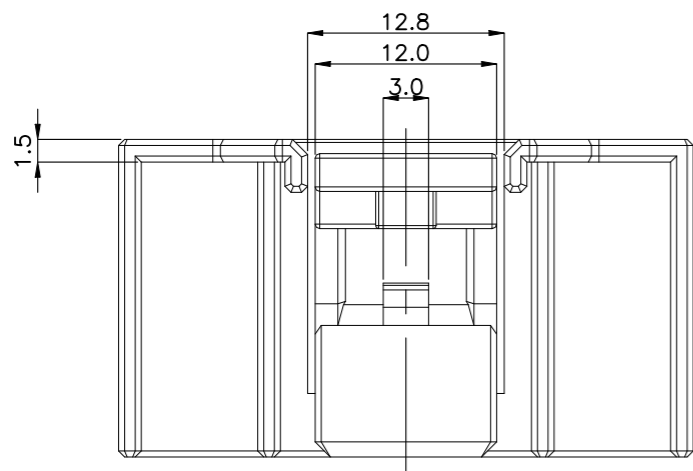
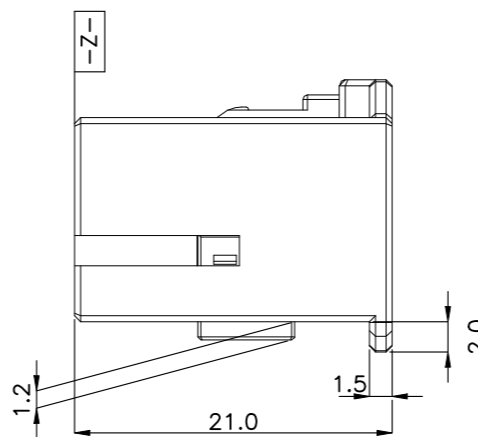
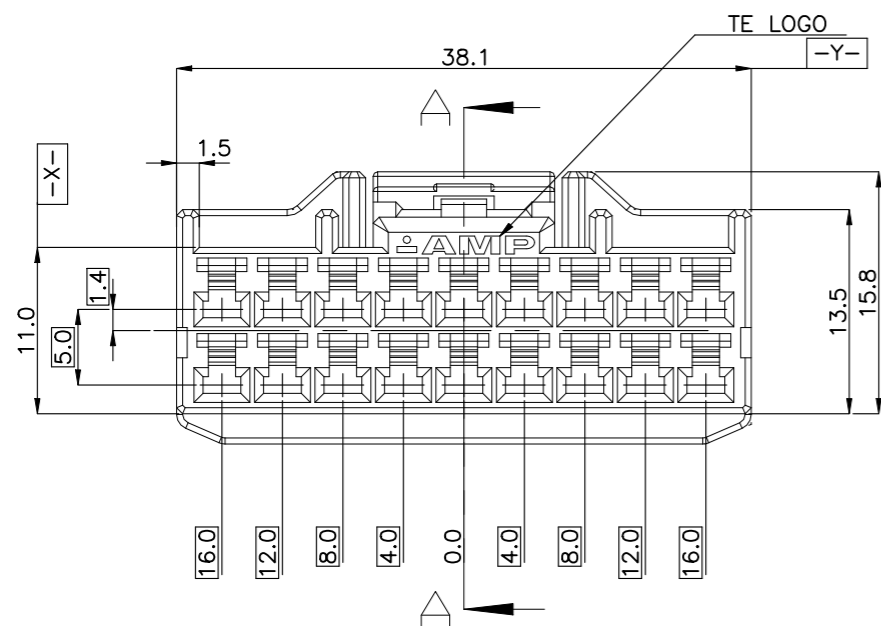
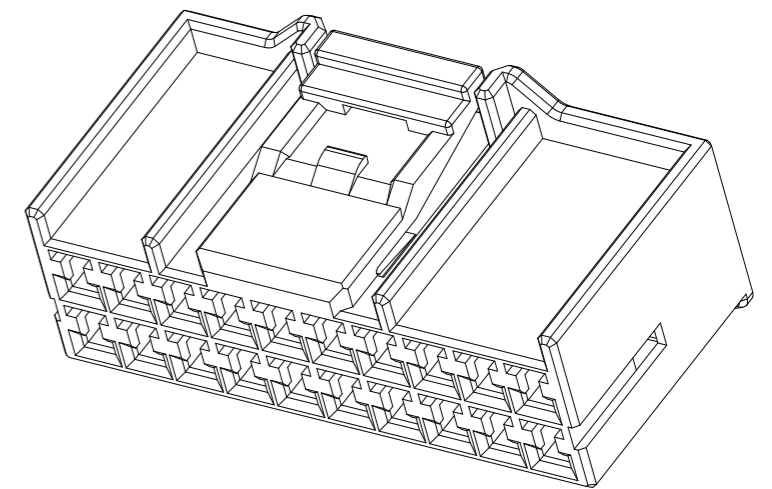


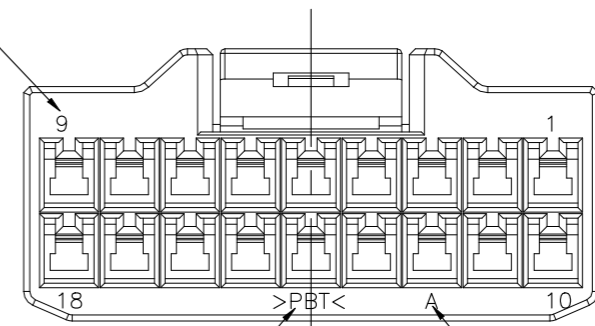
P	LTR	DESCRIPTION	DATE	DWN	APVD
B5		REVISED (ECR-24-217716)	14AUG2024	DG	YH



SECTION A-A



CIRCUIT NO.



MATERIAL MARK

CAVITY MARK

ASSY P/N	QTY	REMARKS
0-936204-8	1	
0-936204-7	1	
0-936204-6	1	OBSOLETE
0-936204-5	1	
0-936204-4	1	
0-936204-3	1	
0-936204-2	1	
0-936204-1	1	

TOLERANCES UNLESS OTHERWISE SPECIFIED:

- 0 <XX<10 ± 0.2
- 10<XX<30 ± 0.25
- 30<XX ± 0.3
- ANGLES ± 3°

NO	COLOR	MATERIAL	DESCRIPTION	P/N	QTY
1	BLUE	PBT	PLUG	0-936205-8	1
	GREEN	PBT	PLUG	0-936205-7	1
	RED	PBT	PLUG	0-936205-6	1
	YELLOW	PBT	PLUG	0-936205-5	1
	BROWN	PBT	PLUG	0-936205-4	1
	D/GRAY	PBT	PLUG	0-936205-3	1
	BLACK	PBT	PLUG	0-936205-2	1
	NATURAL	PBT	PLUG	0-936205-1	1
2	NATURAL	PBT	DBL	0-936206-1	1 1 1 1 1 1 1 1

THIS DRAWING IS A CONTROLLED DOCUMENT.

DIMENSIONS:	TOLERANCES UNLESS OTHERWISE SPECIFIED:
mm	
	0 PLC ± -
	1 PLC ± -
	2 PLC ± -
	3 PLC ± -
	4 PLC ± -
	ANGLES ± -
MATERIAL	FINISH
SEE TABLE	-

DWN	KT JUNG		TE Connectivity
CHK	JW JUNG		
APVD	HG CHO	NAME	
PRODUCT SPEC		090III 18P PLUG ASS'Y	
APPLICATION SPEC			
WEIGHT	0	SIZE	CAGE CODE
		A3	00779
		DRAWING NO	RESTRICTED TO
		C-936204	-
CUSTOMER DRAWING	SCALE	SHEET	REV
	1:1	1 OF 1	B5

NOTES.

- THE MATING HSG. P/N ; 936213
- APPLIED CONTACT P/N ;
090 II REC.- 368083,368084,368085
090 III REC.- 1743654,1743655,1743656,1897753,1897598

-추가-

- 상대 하우징 P/N. ; 936213
- 적용단자 P/N. ; 090 II REC.- 368083,368084,368085
090 III REC.- 1743654,1743655,1743656,1897753,1897598