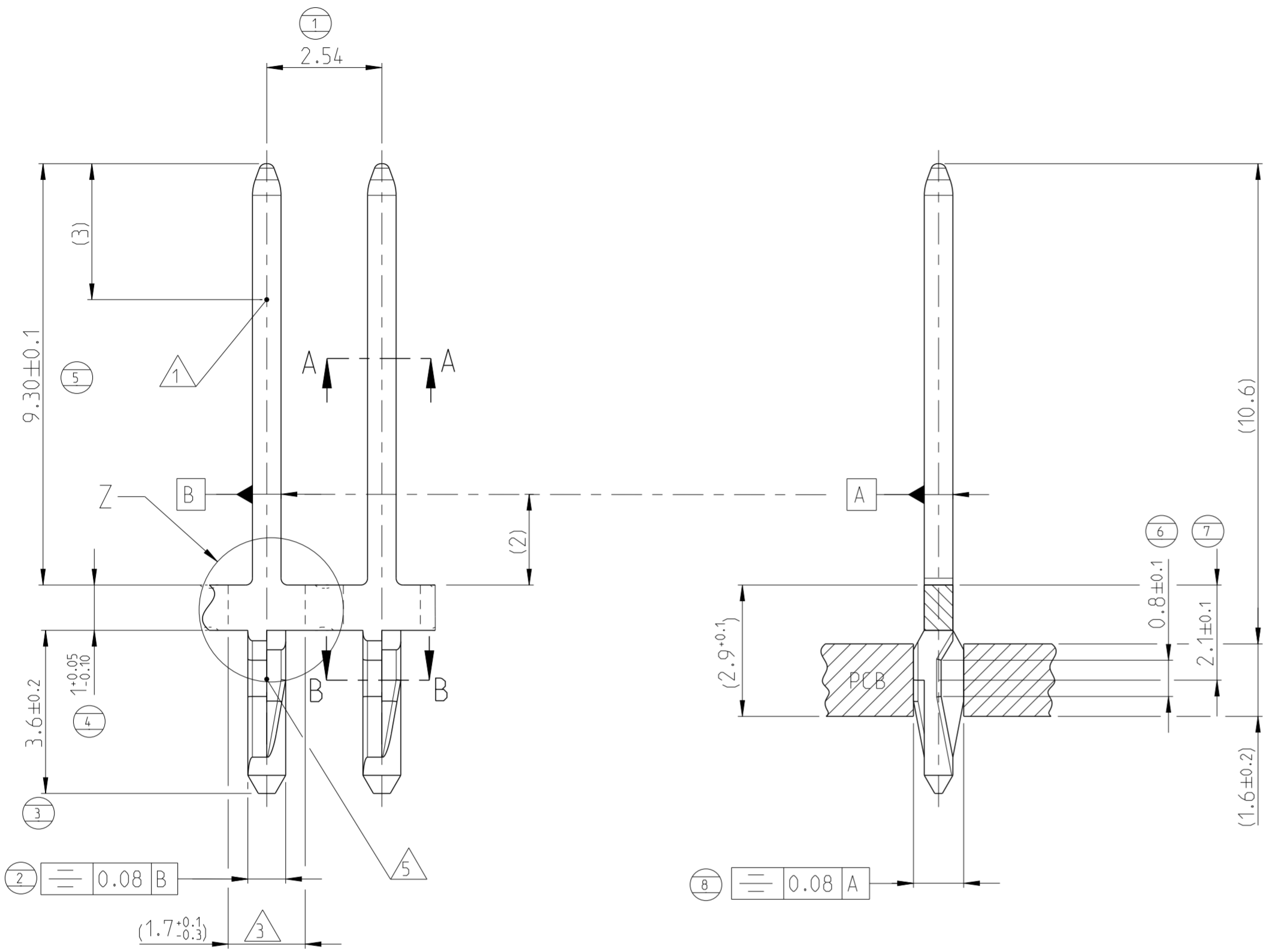
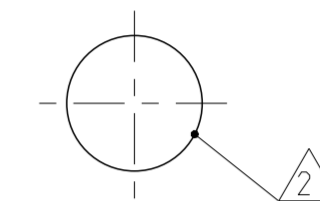


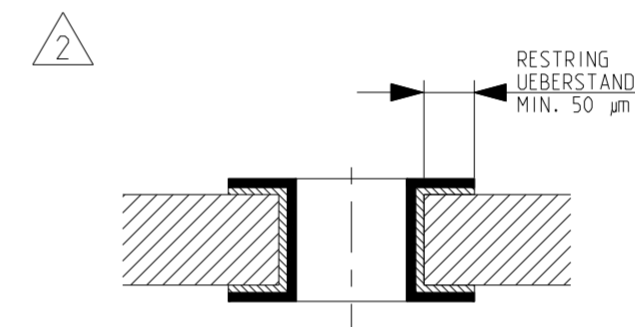
LOC	DIST	REVISIONS					
		P	LTR	DESCRIPTION	DATE	DWN	APVD
A1	-	B2		OBSOLETE	27.11.01	PNI	
		B3		REACTIVATE	18SEP2015	ST	
		B4		CUT OUTS DEFINED AT CARRIER STRIP	16JAN2018	ST	HB

PCB-LAYOUT Leiterplatten-Layout



NOTES:
BEMERKUNGEN:

1 $1\ \mu\text{m} - 3\ \mu\text{m}$ Sn OVER Ni
 $1\ \mu\text{m} - 3\ \mu\text{m}$ Sn ueber Ni



PLATED THROUGH HOLE SPECIFICATION Spezifikation fuer durchplatierte Bohrungen	
Cu THICKNESS Kupferschichtdicke	25-50 μm
Sn THICKNESS Zinnschichtdicke	4-15 μm
DRILLED HOLE $\varnothing 1.15 \pm 0.025$ Bohrloch- $\varnothing 1.15 \pm 0.025$	FINISHED HOLE $\varnothing 0.94^{+0.15}_{-0.15}$ plattierter Loch- $\varnothing 0.94^{+0.15}_{-0.15}$

3 DIMENSION OF LOOSE PIESE
Mass fuer Einzelteil

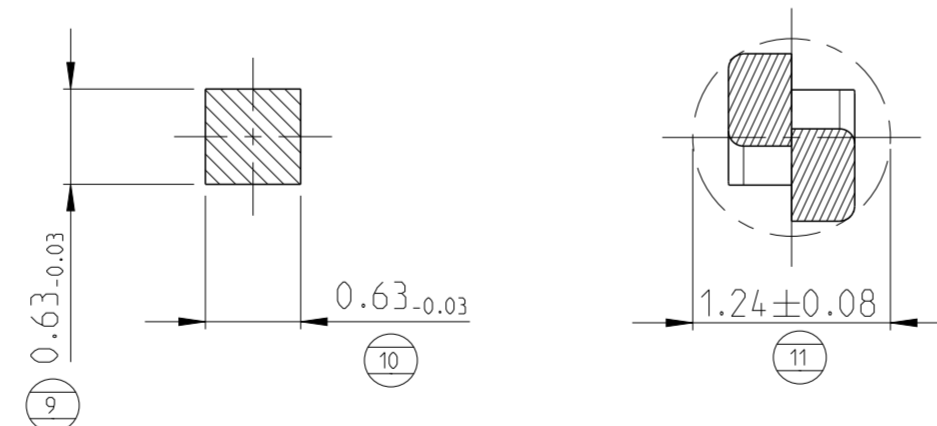
4 TO BE REELED ON PANCAKE REEL WITH INTERLEAVING PAPER
Pappspulen mit Zwischenlagenpapier

5 $0.8\ \mu\text{m} - 1.8\ \mu\text{m}$ Sn OVER Ni
 $0.8\ \mu\text{m} - 1.8\ \mu\text{m}$ Sn ueber Ni

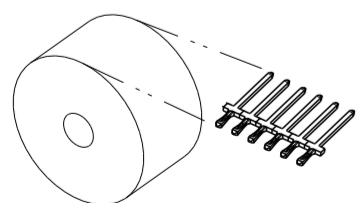
B4 6 IN THIS AREA CUT OUT POSSIBLE
In diesem Bereich Ausschnitte moeglich

A-A
20:1

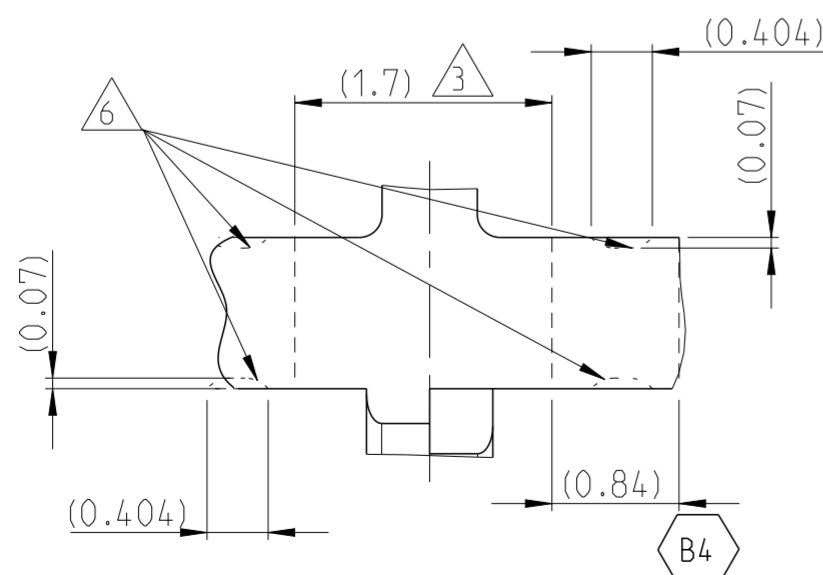
B-B
20:1



DIRECTION OFF TOP OF REEL



1- -2



TOLERANCES UNLESS OTHERWISE SPECIFIED ACC. TO DIN 16901-140 CENTRIC TO NOMINAL DIMENSION. EDITION 1982-11 SHALL APPLY. Freimasstoleranzen nach DIN 16901-140. Es gilt die Ausgabe 1982-11.

THIS DRAWING IS A CONTROLLED DOCUMENT.		DWN S.Schaefer 10JUN1998
		CHK J.Ryll 10JUN1998
DIMENSIONS: mm		APVD -
TOLERANCES UNLESS OTHERWISE SPECIFIED:		NAME
0 PLC ±	1 PLC ±	PRODUCT SPEC
2 PLC ±	3 PLC ±	108-18643
4 PLC ±	ANGLES ±	APPLICATION SPEC
FINISH		114-18279
MATERIAL		WEIGHT
-		-



MQS-PIN WITH ACTION PIN
MQS-Stift mit ACTION-PIN

SIZE	CAGE CODE	DRAWING NO	RESTRICTED TO
A2	00779	G-929278	-
SCALE 5:1		SHEET 1 of 1	REV B4

1-929278-2	B	CuNiSi	1 5	4
TE PART NUMBER	REV	MATERIAL	SURFACE	REELPACKING