

THIS DRAWING IS UNPUBLISHED. RELEASED FOR PUBLICATION 2007
 © COPYRIGHT 2007 BY TYCO ELECTRONICS CORPORATION. ALL RIGHTS RESERVED.

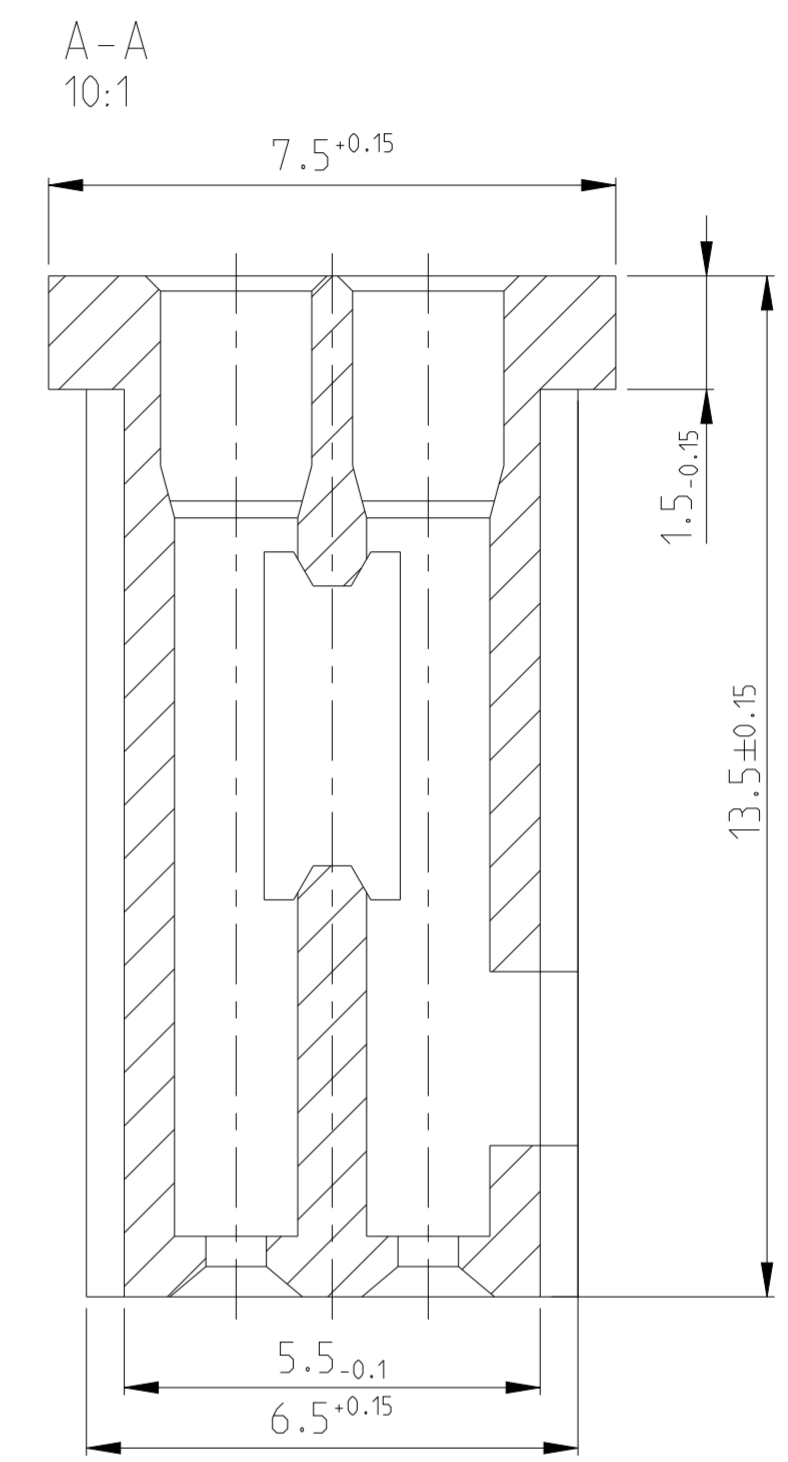
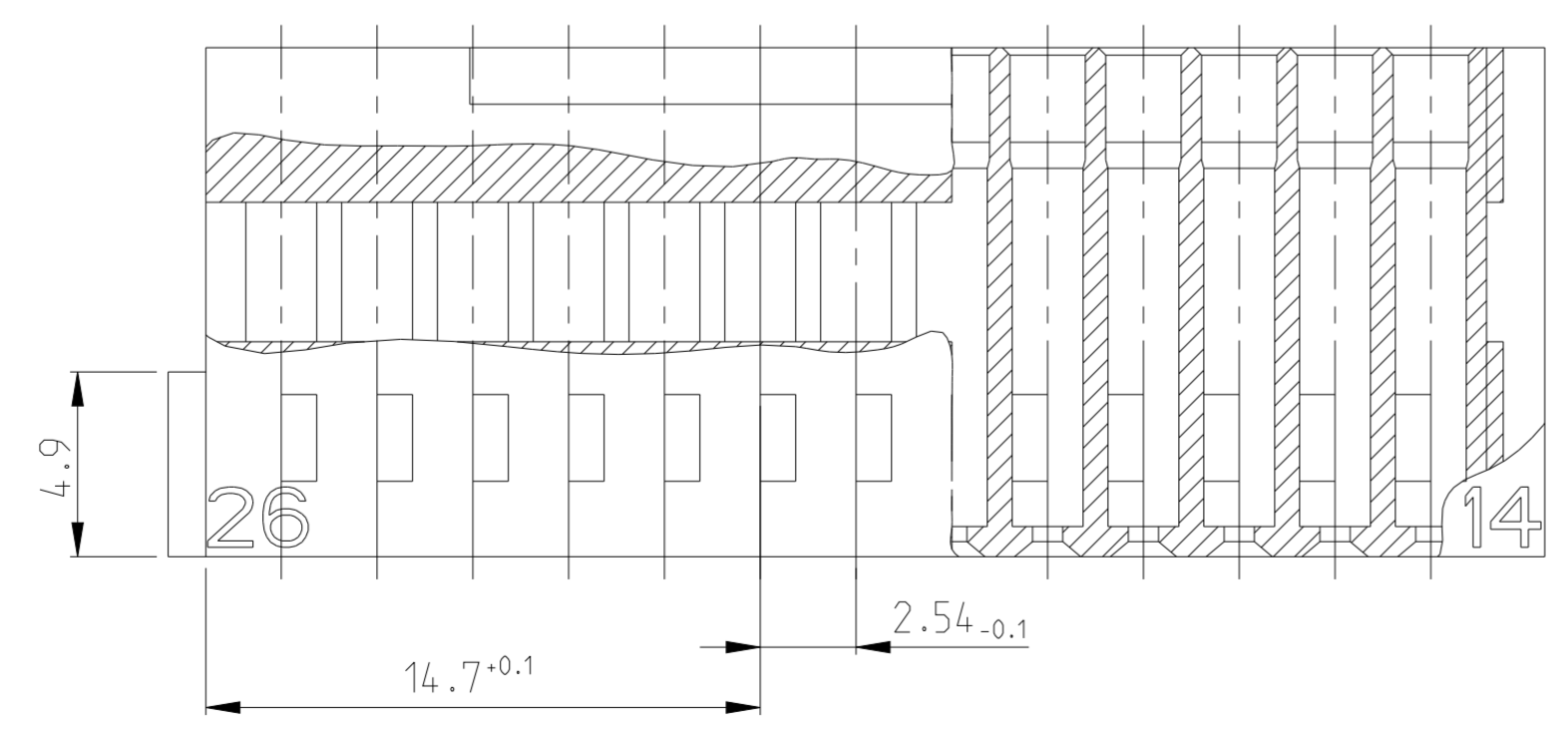
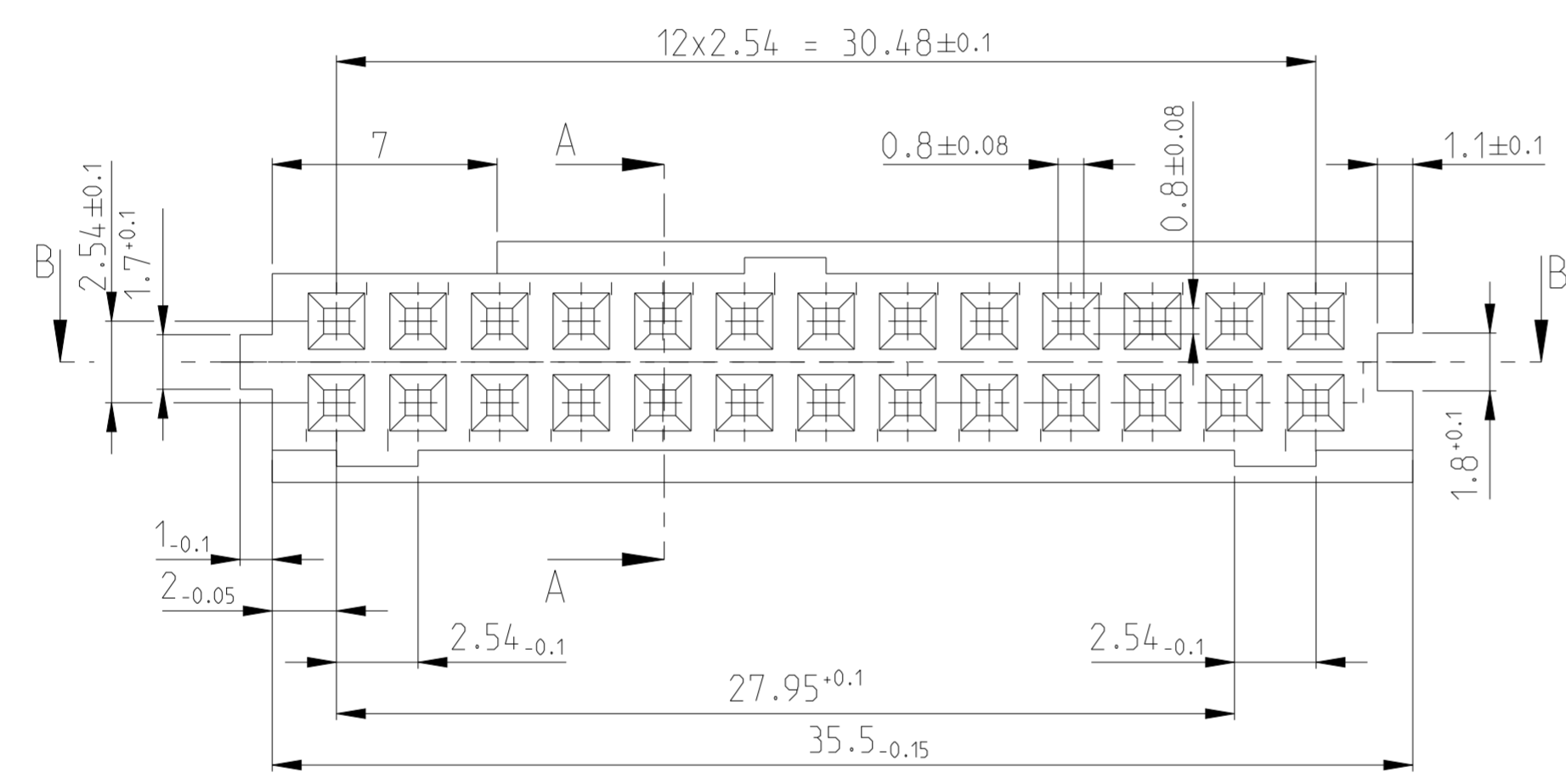
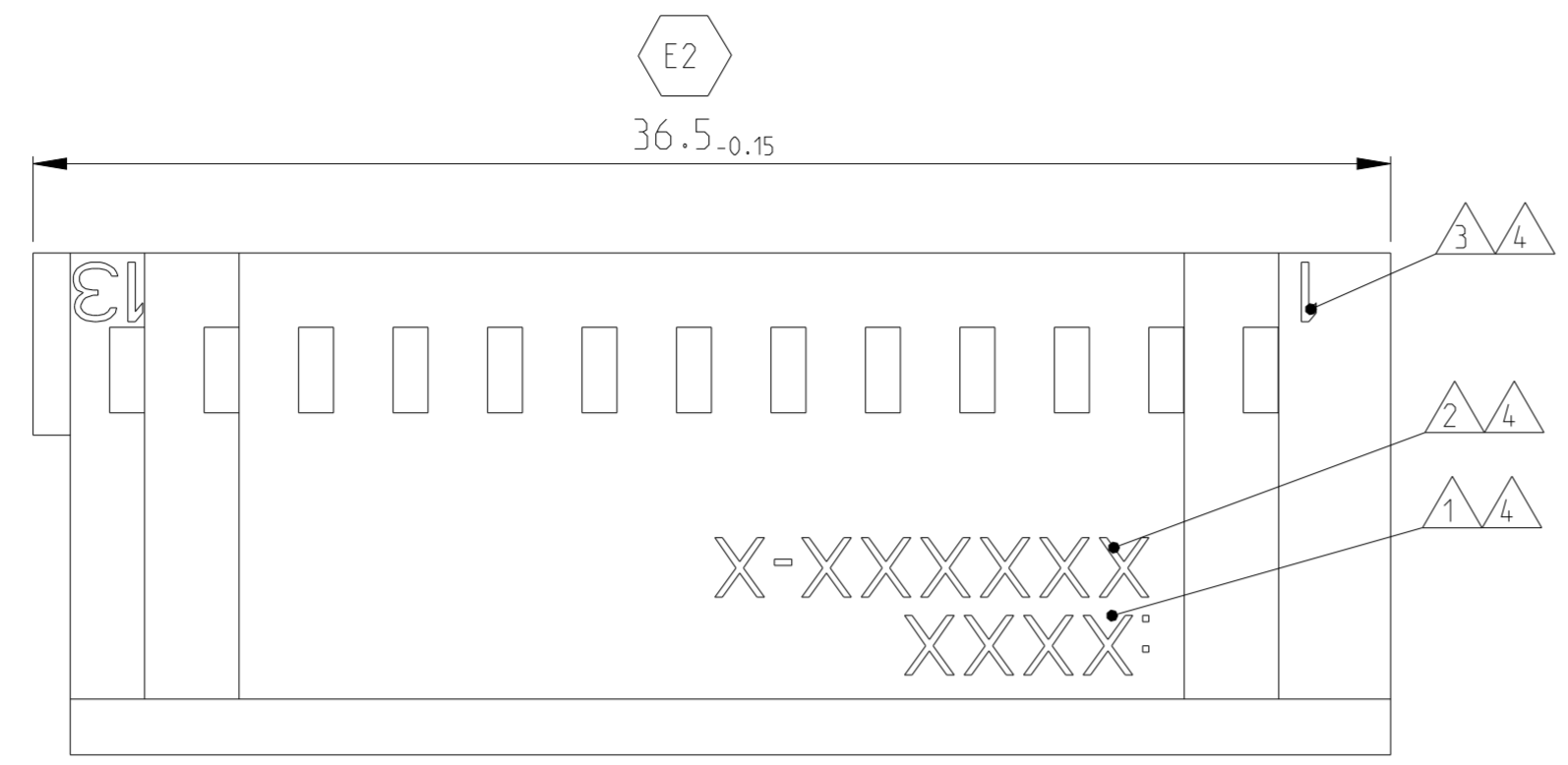
LOC		DIST		REVISIONS			
P	LTR	DESCRIPTION	DATE	DWN	APVD		
A1	-	D	Maß 4.9 war 5.2	18.09.86	Weitzel		
		E	Zeichnung neu erstellt	16.09.93	Liebing		
		E1	NEW DRAWING CREATED	08.09.07	Haas	Stre.	
		E2	DRAFTING ERROR. TOLERANCE VALUE CORRECTED	01JUN2023	JUS	-	

D

C

B

A



Bemerkungen
NOTES

- 1 Laenderkennung und FirmenLogo
LOCATION CODE AND ARTWORK LOGO
- 2 Tyco Electronics Teilenummer
TYCO ELECTRONICS PART NUMBER
- 3 Kontaktkammer Markierung
CONTACT CAVITY NUMBER
- 4 Mittelschrift 1.6 DIN 1451, vertieft/erhaben
CHARACTERS 1.6 ACC.TO DIN 1451, SUNK/RAISED

927 690-1 wie gezeichnet; Teilerevision: E
AS SHOWN; PART REVISION: E

THIS DRAWING IS A CONTROLLED DOCUMENT FOR TYCO ELECTRONICS CORPORATION IT IS SUBJECT TO CHANGE AND THE CONTROLLING ENGINEERING ORGANIZATION SHOULD BE CONTACTED FOR THE LATEST REVISION.		DWN Liebing.R.	Sep93	Tyco Electronics Tyco Electronics AMP GmbH 64625 Bensheim (Germany)	
DIMENSIONS: mm	TOLERANCES UNLESS OTHERWISE SPECIFIED: ±0.2 mm	CHK -	APVD -	NAME 2x13 POS. MODU IV HOUSING DOUBLE ROW 2x13 pol. MODU IV Gehäuse, zweireihig	
	0 PLC ±- 1 PLC ±- 2 PLC ±- 3 PLC ±- 4 PLC ±- ANGLES ±- FINISH	PRODUCT SPEC -	APPLICATION SPEC -	SIZE A2	CAGE CODE 00779
MATERIAL Pa6.6 13GF Schwarz BLACK		WEIGHT -	DRAWING NO G-927690	RESTRICTED TO	
CUSTOMER DRAWING			SCALE 5:1	SHEET 1 OF 1	REV E2