

4

3

2

1

THIS DRAWING IS UNPUBLISHED.

RELEASED FOR PUBLICATION

© COPYRIGHT - BY -

ALL RIGHTS RESERVED.

REVISIONS

P	LTR	DESCRIPTION	DATE	DWN	APVD
D3	ECR-16-013486		26SEP2016	KD	RR
D4	ECR-16-014897		10FEB2017	KD	RR
D5	ECR-20-100560		14OCT2020	KD	FL
D6	ECR-24-21574		27AUG2024	SM	FL

SECTION C-C

SECTION A-A

SECTION B-B

1 PRELIMINARY - NOT RELEASED FOR PRODUCTION

2 -

REMARK	INSUL. RANGE	WIRE RANGE	U	V	W	X	Y	Z	FINISH	MATERIAL	PART NO.	REV.
OBSOLETE									TIN	CuFe	926973-3	0
OBSOLETE	∅ 3.0 - 4.3 mm	1.0 - 2.5 mm ²	5.2 ±0.3	5.0 ±0.3	∅ 4.0 ±0.2	3.6 ±0.3	3.5 ±0.3	∅ 2.0 ±0.2	TIN	CuSn4	926973-2	0
									TIN	CuZn30	926973-1	D

SCALE 2:1

THIS DRAWING IS A CONTROLLED DOCUMENT.

DWN 03 MRZ 1988

GOERKE

CHK 07 MAZ 1988

BITSCH

APVD -

PRODUCT SPEC

108-18054-1

APPLICATION SPEC

114-18080

WEIGHT

0.528

CUSTOMER DRAWING

TE Connectivity

NAME

STANDARD-TIMER CONTACT

-

SIZE

A3

CAGE CODE

00779

DRAWING NO

G-926973

RESTRICTED TO

-

SCALE

5:1

SHEET

1 OF 3

REV

D6

DIMENSIONS:

mm

CROSS-SECTION IN mm²

X-926973-X

1.0

1.5

2.0

2.5

TOLERANCES UNLESS OTHERWISE SPECIFIED:

0 PLC ±-

1 PLC ±-

2 PLC ±0.2

3 PLC ±-

4 PLC ±-

ANGLES ±1°

FINISH

-

MATERIAL

-

-

1470-19 (3/13)

THIS DRAWING IS UNPUBLISHED.

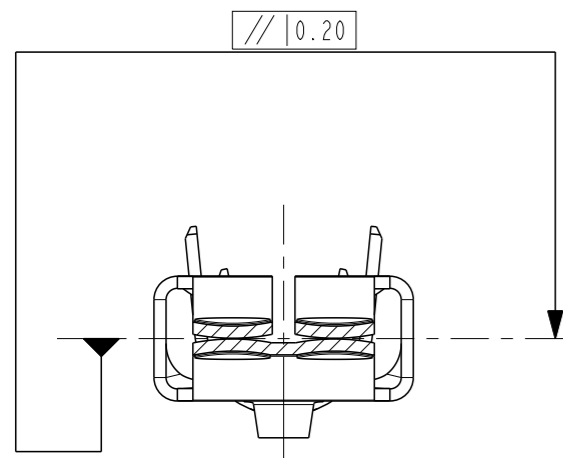
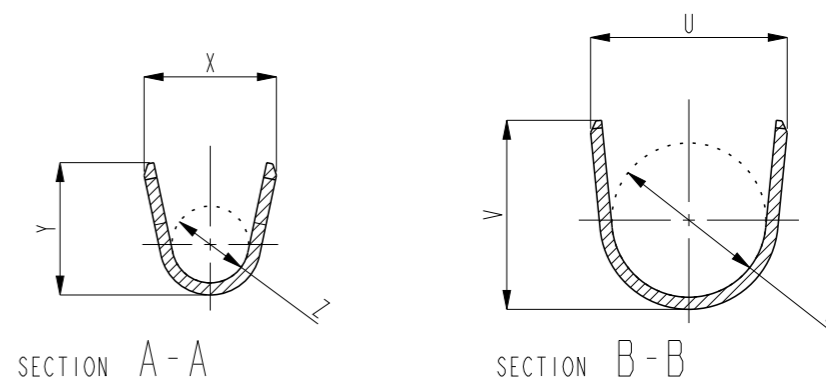
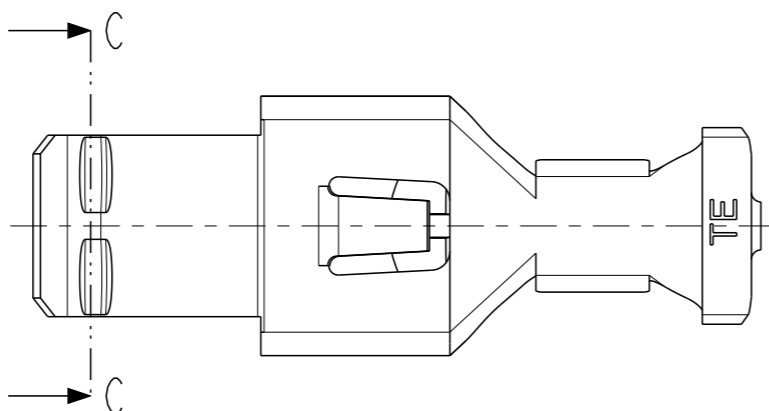
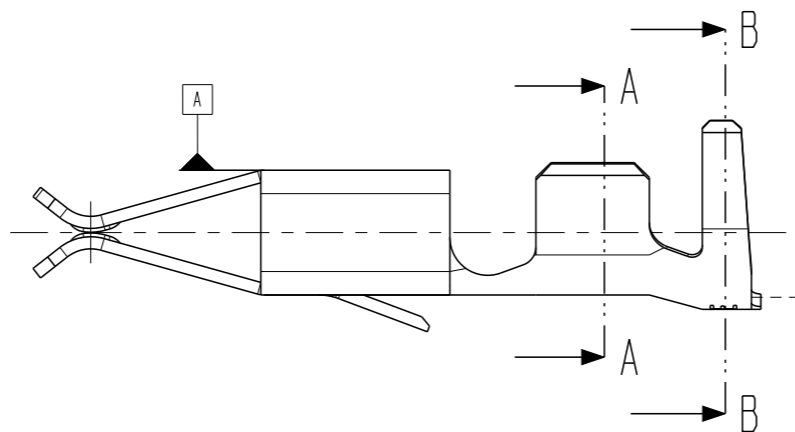
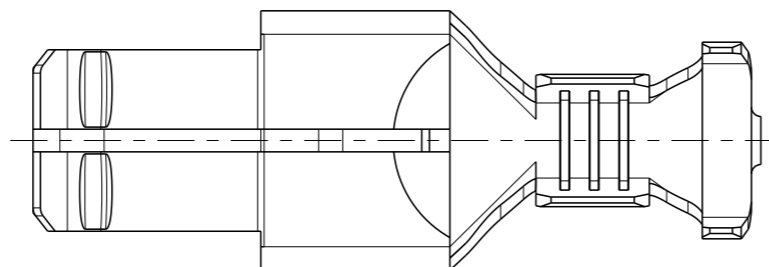
RELEASED FOR PUBLICATION

© COPYRIGHT - BY -

ALL RIGHTS RESERVED.

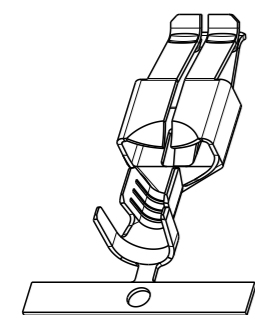
REVISIONS

P	LTR	DESCRIPTION	DATE	DWN	APVD
-	-	SEE SHEET 1	-	-	-



SECTION C-C

ATTENTION!
 ONLY FOR 3-926965-1
 OTHER DIMENSION SEE SHEET 1



SCALE 2:1

OBSOLETE	Ø 2.0 - 3.0 mm	0.5 - 1.5 mm ²	4.1 ±0.2	4.3 ±0.2	Ø 2.8 ±0.2	3.0 ±0.2	3.2 ±0.2	Ø 1.4 ±0.2	TIN	CuZn30	3-926965-1	A
REMARK	INSUL. RANGE	WIRE RANGE	U	V	W	X	Y	Z	FINISH	MATERIAL	PART NO.	REV.

THIS DRAWING IS A CONTROLLED DOCUMENT.

DWN GOERKE 03 MRZ 1988

CHK BITSCH 07 MAZ 1988

APVD -

PRODUCT SPEC 108-18054-1

APPLICATION SPEC 114-18080

WEIGHT 0.528

CUSTOMER DRAWING



NAME STANDARD-TIMER CONTACT

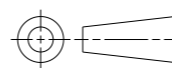
SIZE A3	CAGE CODE 00779	DRAWING NO. C-926973	RESTRICTED TO -
---------	-----------------	----------------------	-----------------

SCALE 5:1	SHEET 2 OF 3	REV D6
-----------	--------------	--------

CROSS-SECTION IN mm²

3-926965-1
0.5
0.5 + 0.5
0.75
1.0
1.5

DIMENSIONS: mm



TOLERANCES UNLESS OTHERWISE SPECIFIED:	
0 PLC	±-
1 PLC	±-
2 PLC	±0.2
3 PLC	±-
4 PLC	±-
ANGLES	±1°
FINISH	-
MATERIAL	-

4

3

2

1

THIS DRAWING IS UNPUBLISHED.

RELEASED FOR PUBLICATION

© COPYRIGHT - BY -

ALL RIGHTS RESERVED.

REVISIONS

P	LTR	DESCRIPTION	DATE	DWN	APVD
-	-	SEE SHEET 1	-	-	-

SECTION C-C

4.5 ± 0.15

SECTION A-A

SECTION B-B

ATTENTION!
 ONLY FOR 3-925575-1, 3-925575-2,
 3-927865-1, 3-927865-4,
 3-925612-1
 OTHER DIMENSION SEE SHEET 1

REMARK	INSUL. RANGE	WIRE RANGE	U	V	W	X	Y	Z	FINISH	MATERIAL	PART NO.	REV.
OBSOLETE	∅ 3.0 - 4.3 mm	1.0 - 2.5 mm ²	5.2 +0.5 /-0.1	5.0 ±0.3	∅ 4.0 ±0.2	3.5 ±0.3	3.5 ±0.3	∅ 2.0 ±0.2	-TIN	CuZn30	3-925612-1	A
OBSOLETE	∅ 2.0 - 3.3 mm	0.5 - 1.0 mm ²	4.4 ±0.2	4.6 ±0.2	∅ 2.4 ±0.2	2.6 ±0.2	2.8 ±0.2	∅ 1.1 ±0.2	-	Brass	3-927865-4	A
OBSOLETE	∅ 2.0 - 3.3 mm	0.5 - 1.0 mm ²	4.4 ±0.2	4.6 ±0.2	∅ 2.4 ±0.2	2.6 ±0.2	2.8 ±0.2	∅ 1.1 ±0.2	-TIN	CuZn30	3-927865-1	A
OBSOLETE	∅ 2.0 - 3.0 mm	1.0 - 1.5 mm ²	4.1 ±0.2	4.3 ±0.2	∅ 2.8 ±0.2	3.0 ±0.2	3.2 ±0.2	∅ 1.4 ±0.2	-TIN	CuSn4	3-925575-2	A
OBSOLETE	∅ 2.0 - 3.0 mm	1.0 - 1.5 mm ²	4.1 ±0.2	4.3 ±0.2	∅ 2.8 ±0.2	3.0 ±0.2	3.2 ±0.2	∅ 1.4 ±0.2	-TIN	CuZn30	3-925575-1	A

CROSS-SECTION IN mm ²		
3-925575-X	3-927865-X	3-925612-X
0.5 + 0.5	0.5	0.5 + 0.5
0.75 + 0.5	0.5 + 0.5	0.5 + 0.75
1.0	0.75	0.5 + 1.0
1.5	1.0	0.75 + 0.75
		1.0
		1.5
		2.0
		2.5

THIS DRAWING IS A CONTROLLED DOCUMENT.

DIMENSIONS:

mm

TOLERANCES UNLESS OTHERWISE SPECIFIED:

0 PLC	±-
1 PLC	±-
2 PLC	±0.2
3 PLC	±-
4 PLC	±-
ANGLES	±1°
FINISH	-

MATERIAL

-

DWN 03 MRZ 1988

GOERKE

CHK 07 MAZ 1988

BITSCH

APVD -

PRODUCT SPEC

108-18054-1

APPLICATION SPEC

114-18080

WEIGHT

0.528

CUSTOMER DRAWING

NAME

STANDARD-TIMER CONTACT

-

-

SIZE

A3

CAGE CODE

00779

DRAWING NO

C-926973

RESTRICTED TO

-

SCALE 5:1

SHEET 3 OF 3

REV D6

SCALE 2:1

1470-19 (3/13)