

THIS DRAWING IS UNPUBLISHED.

RELEASED FOR PUBLICATION

20

© COPYRIGHT 20 BY -

ALL RIGHTS RESERVED.

REVISIONS

| P  | LTR | DESCRIPTION               | DATE      | DWN | APVD |
|----|-----|---------------------------|-----------|-----|------|
| E3 |     | REVISED PER ECR-16-009984 | 22JUL2016 | BW  | EW   |
| F  |     | REVISED PER ECR-22-124164 | 22AUG2022 | M.G | D.Z  |

NOTES

- 1 MATERIAL: 66 NYLON (UL94 V-0)
- 2 SEE TABLE 1
- 3 INSTRUCTION SHEET: 411-5771.
- 4 PART 5-917688-1 COMPLY WITH GLOW WIRE REQUIREMENT FOR PARTS OF NON-METALLIC MATERIAL SUPPORTING A CURRENT-CARRYING CONNECTION DETAILED IN IEC 60335-1, SECTION 30(GWT)

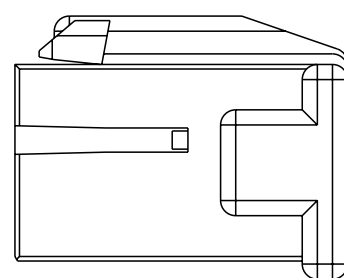
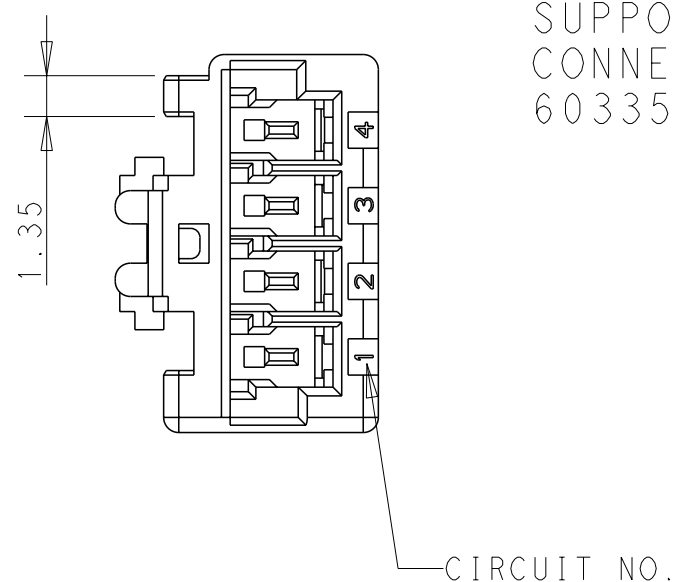
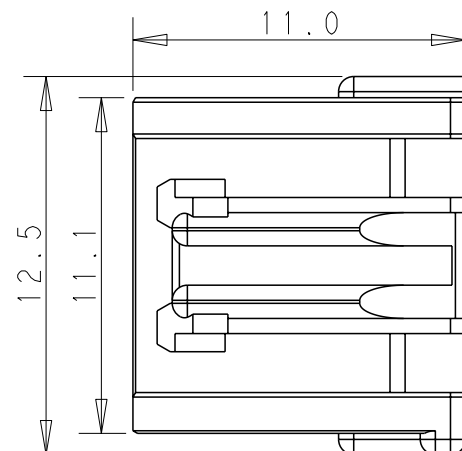
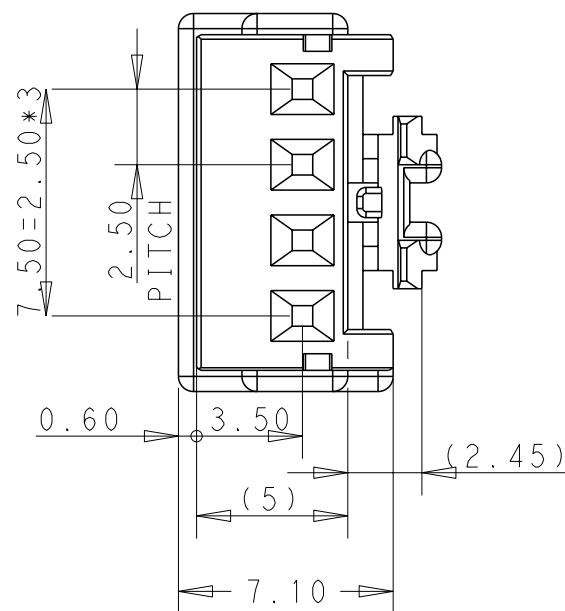
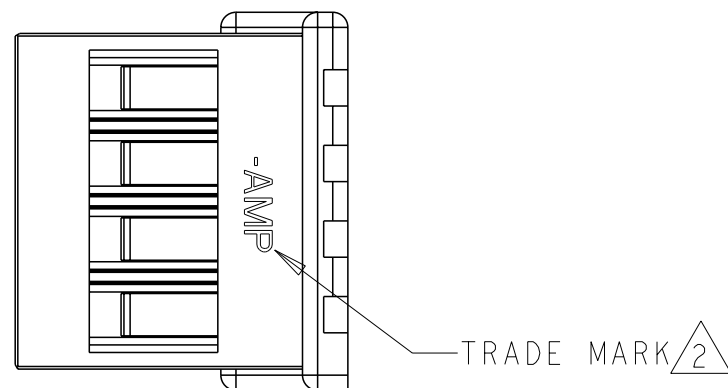


TABLE 1

| TRADE MARK  | MANUFACTURING PLACE |
|-------------|---------------------|
| -AMP OR AMP | JAPAN               |
| +AMP OR AMP | CHINA               |

| 4 | COLOR   | POS | PART NO.   |
|---|---------|-----|------------|
|   | NATURAL | 4   | 5-917688-1 |
|   | BLACK   | 4   | 917688-9   |
|   | BLUE    | 4   | 917688-6   |
|   | YELLOW  | 4   | 917688-4   |
|   | RED     | 4   | 917688-2   |
|   | NATURAL | 4   | 917688-1   |

THIS DRAWING IS A CONTROLLED DOCUMENT.

| DIMENSIONS: | TOLERANCES UNLESS OTHERWISE SPECIFIED: |
|-------------|--|
| mm          |  |
|             | 0 PLC ±-                               |
|             | 1 PLC ±0.25                            |
|             | 2 PLC ±0.20                            |
|             | 3 PLC ±                                |
|             | 4 PLC ±                                |
|             | ANGLES ±3°                             |
| MATERIAL -  | FINISH -                               |

|                  |            |          |
|------------------|------------|----------|
| DWN              | Y. NOGUCHI | 12MAY'95 |
| CHK              | Y. KASHIWA | 12MAY'95 |
| APVD             | Y. KASHIWA | 12MAY'95 |
| PRODUCT SPEC     | 108-5459   |          |
| APPLICATION SPEC | 114-5203   |          |
| WEIGHT           | -          |          |
| CUSTOMER DRAWING |            |          |

|   |           |              |               |
|---|-----------|--------------|---------------|
| <b>TE</b> TE Connectivity                 |           |              |               |
| NAME<br>2.5mm SIGNAL DBL-LOCK 4P PLUG HSG |           |              |               |
| SIZE                                      | CAGE CODE | DRAWING NO   | RESTRICTED TO |
| A3  | 00779     | C-917688     | -             |
| SCALE 4:1                                 |           | SHEET 1 OF 1 | REV F         |

printed on 22 Aug 2022 11:56 (China Standard Time) from TE315078

A

A