

**Introducing
High Power
Terminal Block
15.0mm Pitch**

High Power Terminal Block 15.0mm Pitch

KEY FEATURES

- Screw termination
- Side wire entry
- 15.0mm pin spacing
- Molded to size

DESCRIPTION

High Power Terminal Block. One piece design, printed circuit board mount block on 15.0mm pin spacing, rated for up to 125 amps

APPLICATIONS

Instances where very high current must be brought on the PCB. Including both field and factory wiring applications such as:

- Power Supplies
- Variable Frequency Drives
- Motor Controls

ELECTRICAL

UL rated for 600 volts, 125 amps

MECHANICAL

Suggested screw torque is 30 in-lbs

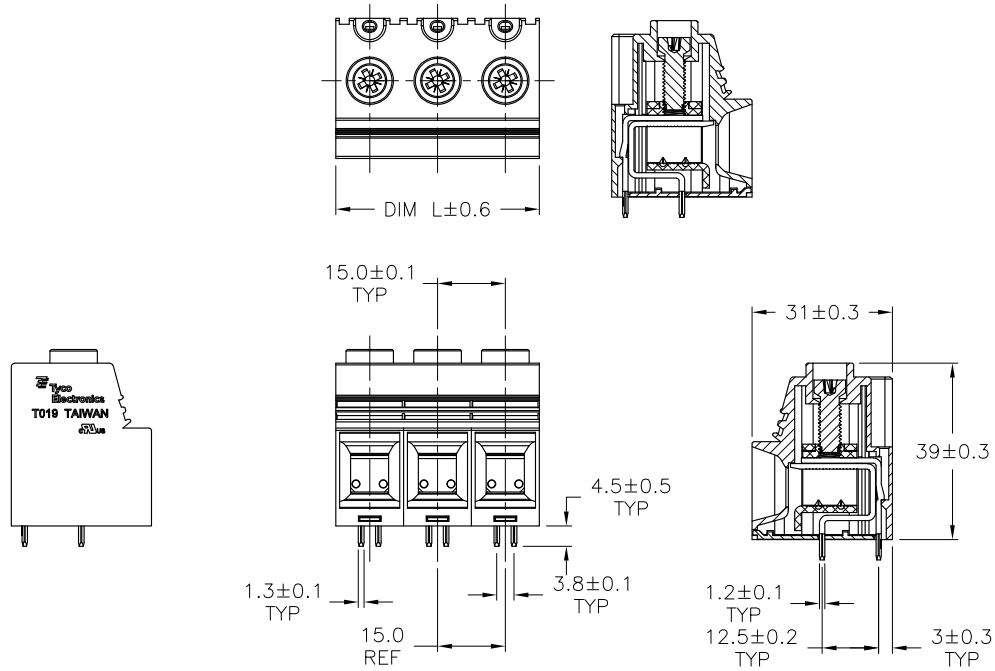
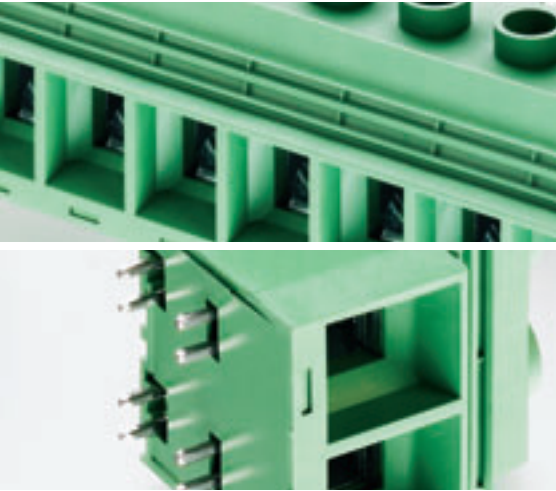
Operating temperatures are -40° to 105° C

MATERIALS

UL94V-0 rated Polyamide

High Power Terminal Block 15.0mm Pitch

PRODUCT DIMENSIONS



PRODUCT OFFERING

- 1986242-2 2 position, green
- 1986242-3 3 position, green
- 1986242-4 4 position, green
- 1986242-5 5 position, green
- 1986242-6 6 position, green
- 1986242-7 7 position, green
- 11986242-8 8 position, green

APPLICATION TOOLING

None required

FOR MORE INFORMATION

Technical Support

Internet:	www.tycoelectronics.com
E-mail:	newproducts@tycoelectronics.com
USA:	1-800-522-6752
Canada:	1-905-470-4425
Mexico:	1-800-733-8926
C. America:	52-55-1106-0803
South America:	55-11-2103-6000
Hong Kong:	852-2735-1628
Japan:	81-44-844-8013
UK:	44-8706-080208

Tyco Electronics Corporation
Harrisburg, PA

tycoelectronics.com

Copyright 2008 Tyco Electronics Corporation. All rights reserved.
9-1773451-7 - 5k -MS/FP - 6/2008.
TE Logo and Tyco Electronics are trademarks.



Tyco Electronics
Our commitment. Your advantage.