

THIS DRAWING IS UNPUBLISHED.

RELEASED FOR PUBLICATION

2012

© COPYRIGHT 2012

Tyco Electronics AMP GmbH

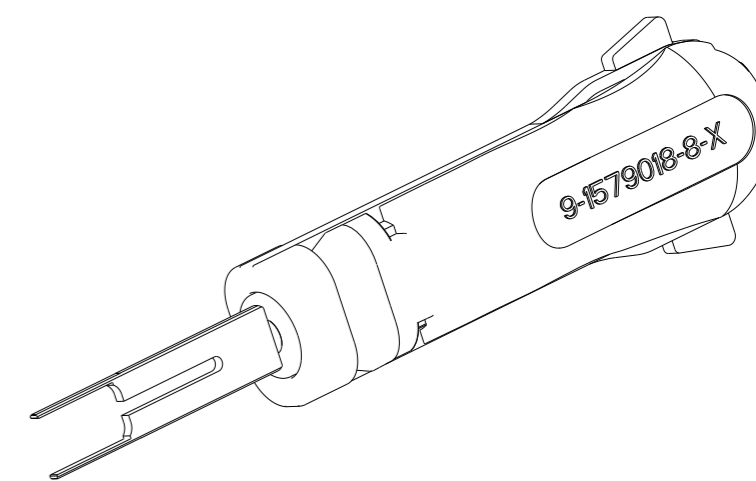
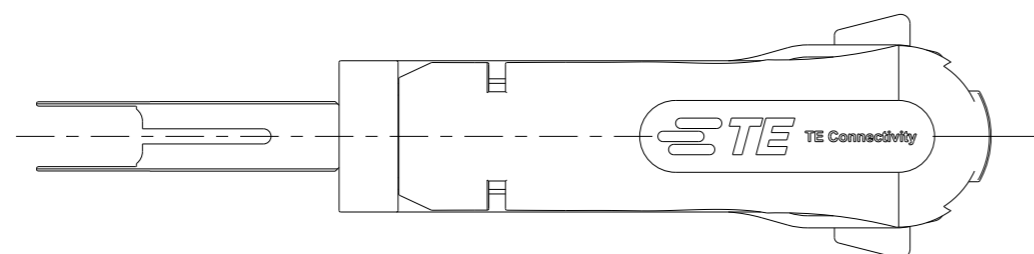
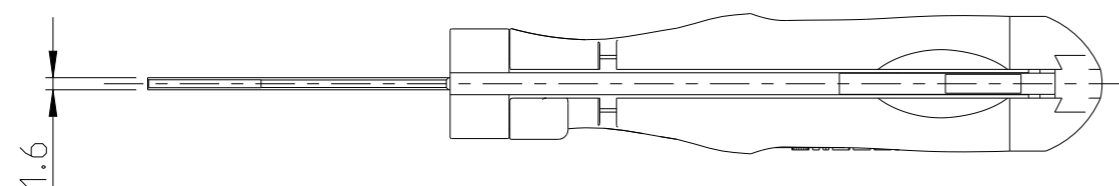
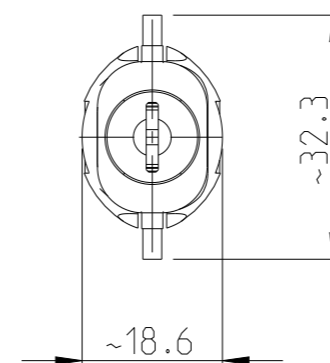
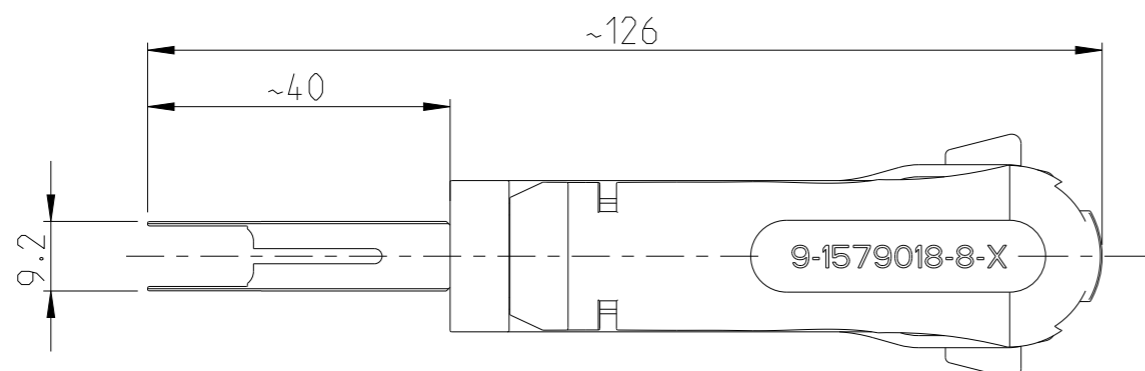
ALL RIGHTS RESERVED.

LOC
A1

DIST
-

REVISIONS

P	LTR	DESCRIPTION	DATE	DWN	APVD
	B	Initial release	20SEP2011	RG	GS
	C	ECR-21-007140	03AUG2021	BM	MP



Application range / Anwendungsbereich

Extraction of female shell 1103427-1 out of female insert 1103429-1.

THIS DRAWING IS A CONTROLLED DOCUMENT.

DWN R. Germann 20SEP2011

CHK G. Stegmayer 20SEP2011

APVD -

PRODUCT SPEC -

APPLICATION SPEC 114-74103

WEIGHT 31g

CUSTOMER DRAWING

STE TE Connectivity

NAME
EXTRACTION TOOL

SIZE A3

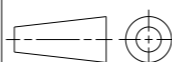
CAGE CODE 00779

DRAWING NO. C-9-1579018-8

RESTRICTED TO -

SCALE 1:1 SHEET 1 OF 1 REV C

DIMENSIONS:
mm



TOLERANCES UNLESS OTHERWISE SPECIFIED:

0 PLC	±
1 PLC	±
2 PLC	±
3 PLC	±
4 PLC	±
ANGLES	±1°

MATERIAL - FINISH -