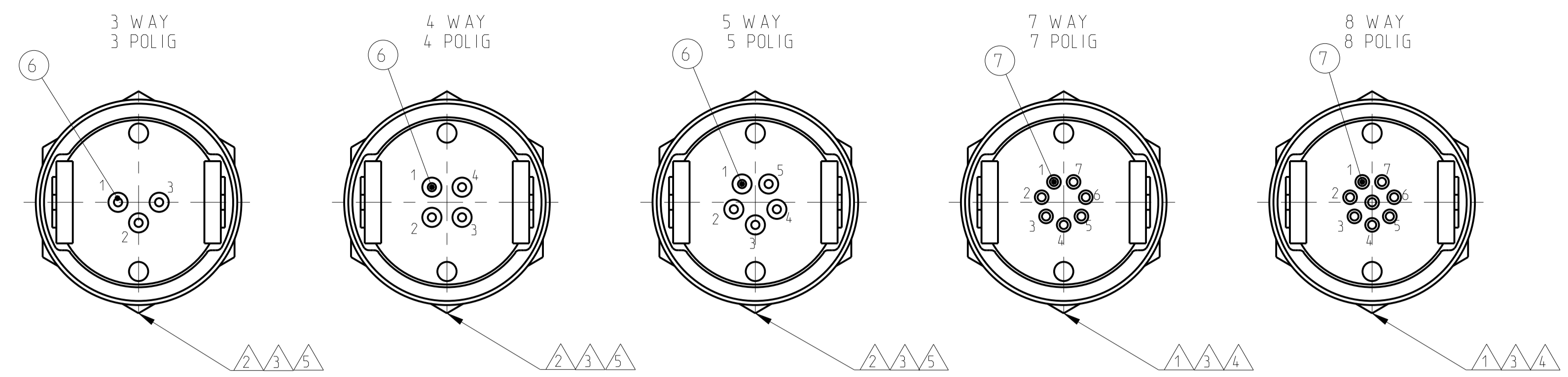
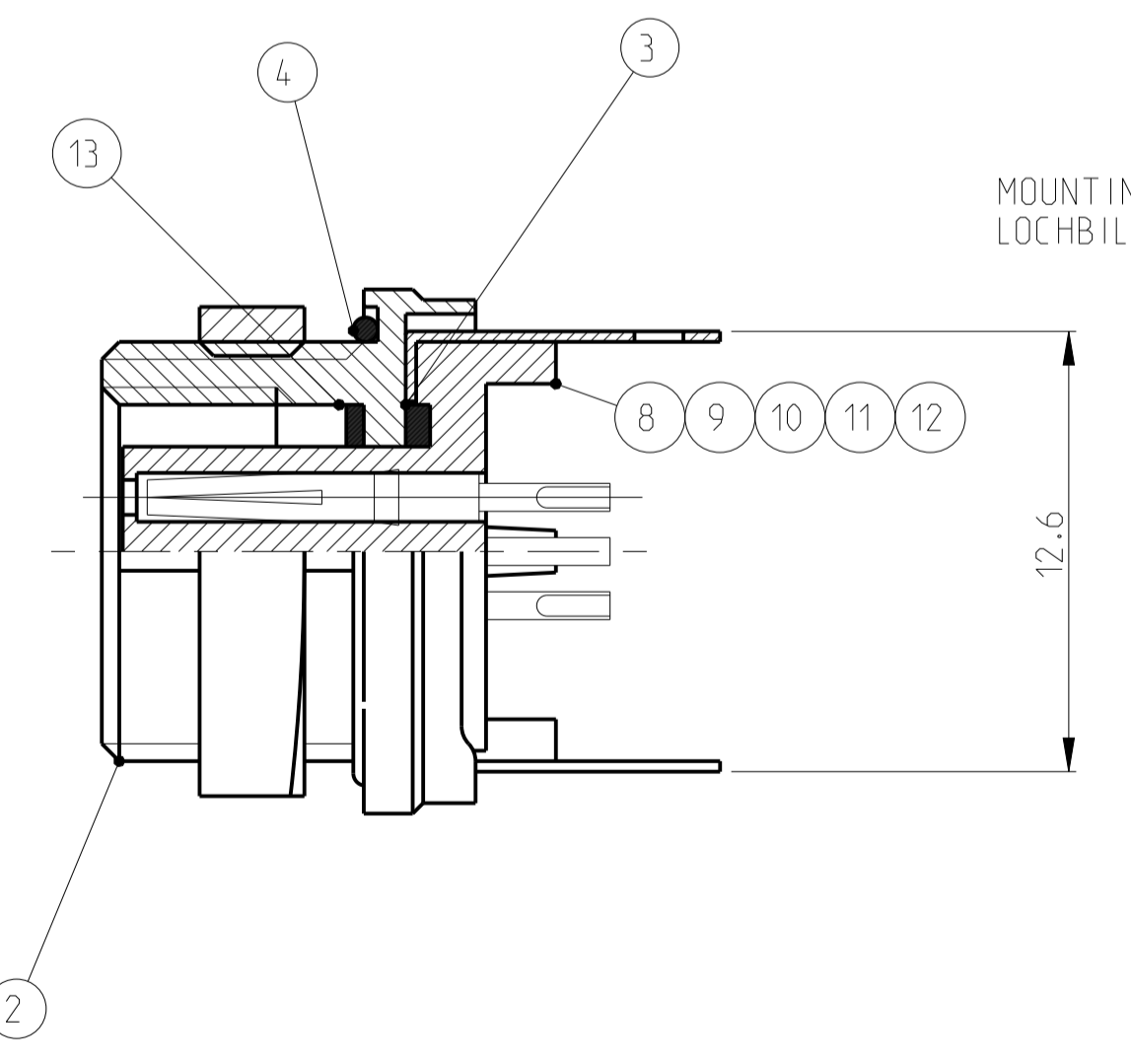
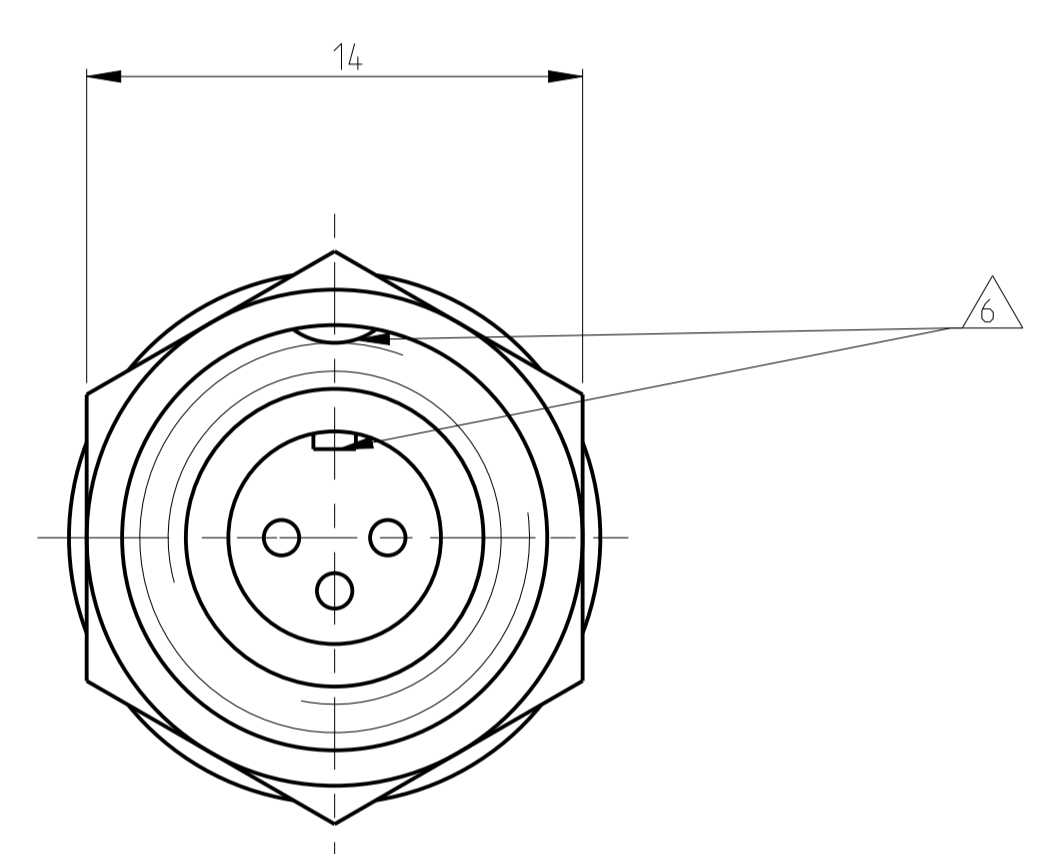
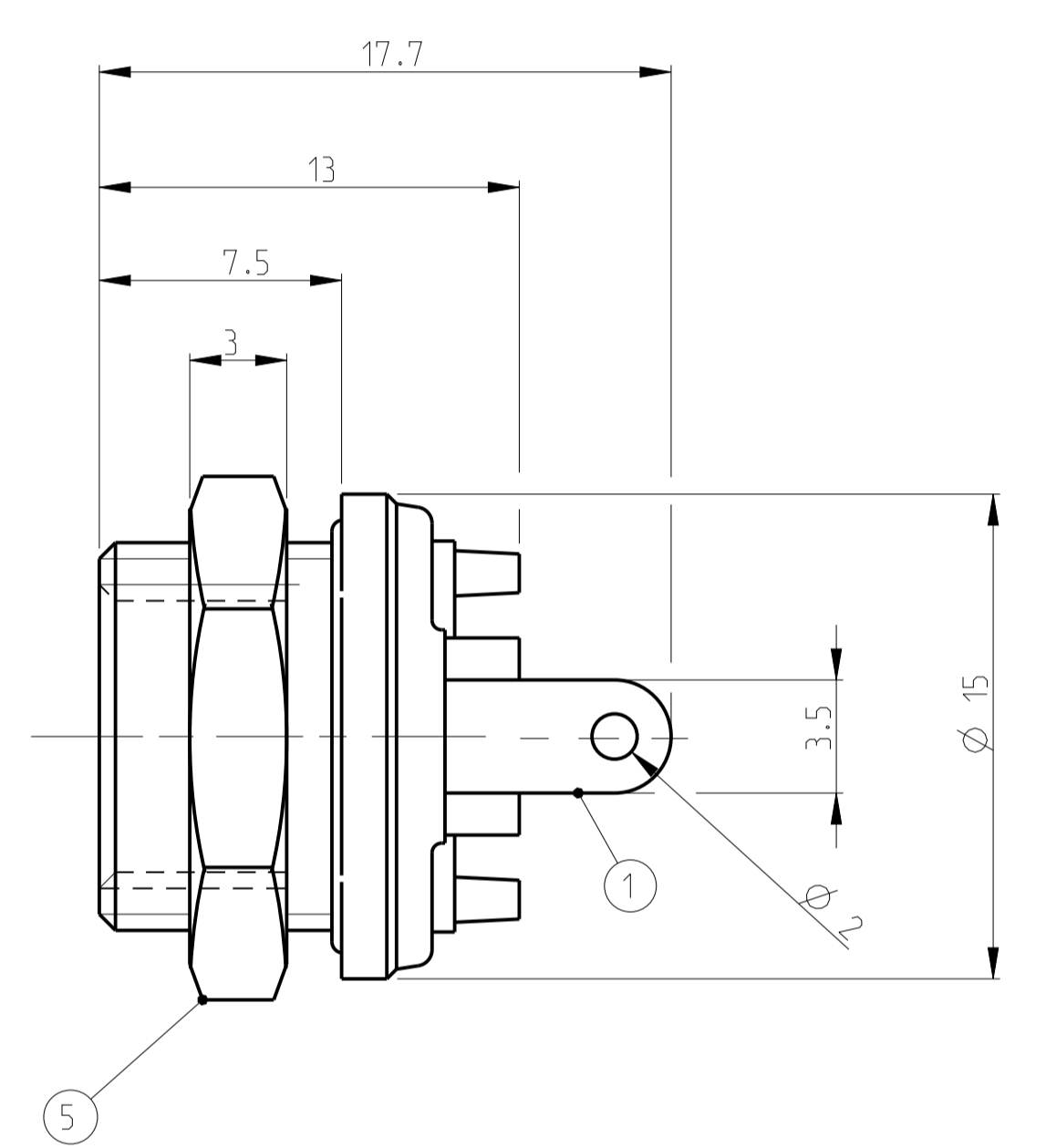


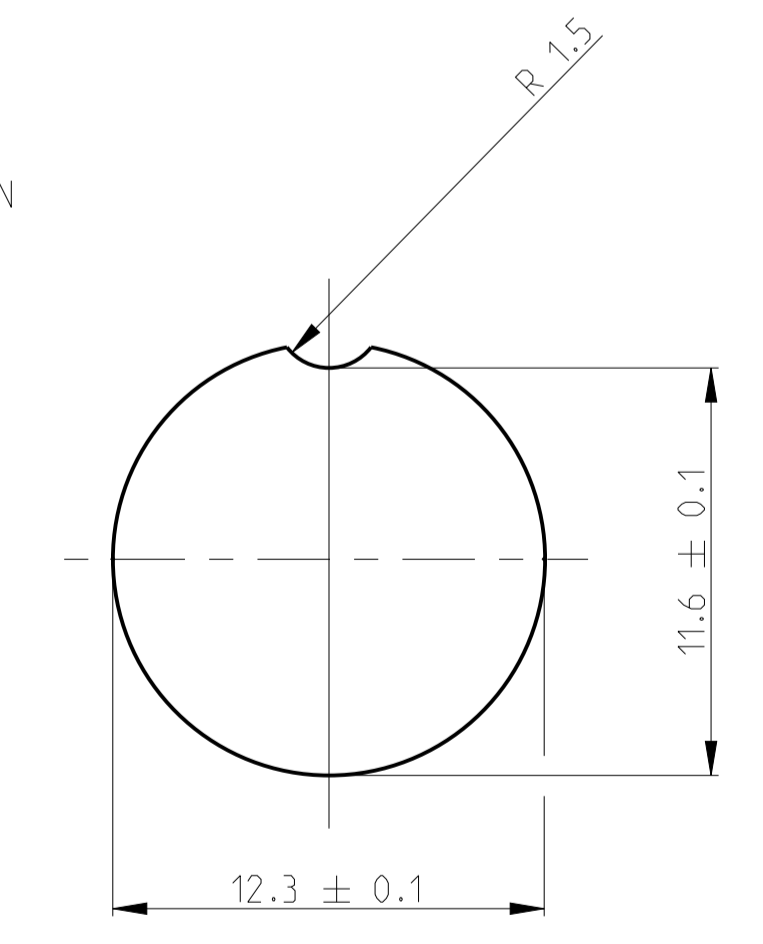
LOC	DIST	REV	LTN	DESCRIPTION	DATE	DWN	APVD
A1	-	A1	EG00-0803-01		19JUN2001	NG	GF
		A2	ECR-21-003049		19MAR2021	BP	CW



MATERIAL / MATERIAL: PBT, UL-94 V2	△7
SHELL MATERIAL / GEHAUSEMATERIAL: CUZN	
FINISH / BESCHICHTUNG: TRIBOR 4 µm	
CODING / KODIERUNG	△6
WIRE GAGE / DRAHTGROESSE IN mm <sup>2</sup> : 0.25	△5
WIRE GAGE / DRAHTGROESSE IN mm <sup>2</sup> : 0.14	△4
CONTACT RESISTANCE / KONTAKTWIDERSTAND: => 5 mΩ	△3
RATED CURRENT PER CONTACT / NENNSTROM PRO KONTAKT: 3 A	△2
RATED CURRENT PER CONTACT / NENNSTROM PRO KONTAKT: 1 A	△1
SHELL PROTECTION CLASS / SCHUTZKLASSE: IP 65 / DIN 40050	
TERMINATION: SOLDERING / VERBINDUNG: LOETKONTAKTE	
TEST VOLTAGE / PRUEFSPANNUNG: 500 VAC	
OPERATING VOLTAGE / BETRIEBSSPANNUNG: 60 VAC	
OPERATING TEMPERATURE: -40°C TO +80°C / ARBEITSTEMPERATUR: -40°C BIS +80°C	
MATING CYCLES / STECKZYKLEN: 500 MAX.	
TECHNICAL DATA TECHNISCHE DATEN	



MOUNTING HOLE DIMENSION  
LOCHBILD FUER MONTAGE



TYCO-NO. / TYCO NR.						
0-1437720-9	0-1437720-6	0-1437720-3	9-1437719-9	9-1437719-6		
1	1	1	1	1	SEAL / DICHTUNG	13
1					INSULATION TUBE 8 POS. / ISOLIERHUELSE 8 POL.	12
	1				INSULATION TUBE 7 POS. / ISOLIERHUELSE 7 POL.	11
		1			INSULATION TUBE 5 POS. / ISOLIERHUELSE 5 POL.	10
			1		INSULATION TUBE 4 POS. / ISOLIERHUELSE 4 POL.	9
				1	INSULATION TUBE 3 POS. / ISOLIERHUELSE 3 POL.	8
8	7				SOCKET APPLIED BY PRESSURE / BUCHSENKONTAKT EINGEPRESST	7
		5	4	3	SOCKET APPLIED BY PRESSURE / BUCHSENKONTAKT EINGEPRESST	6
1	1	1	1	1	NUT / MUTTER	5
1	1	1	1	1	SEAL / DICHTUNG	4
1	1	1	1	1	SEAL / DICHTUNG	3
1	1	1	1	1	HOUSING / GEHAUSE	2
1	1	1	1	1	GROUND ON PCB SPRING / VERBINDUNGSFEDER ZUR PCB MASSE	1
-	-	-	-	-	REVISION OF EACH ASSY NO. (WHEN BLANK, USE DWG REV.)	
QTY REQD PER ASSY					DESCRIPTION / BESCHREIBUNG	ITEM-NO. TEIL-NR.
T01-0580-S08	T01-0580-S07	T01-0580-S05	T01-0580-S04	T01-0580-S03	PARTS LIST / TEILE LISTE	
CATALOG-NO.	CATALOG-NO.	CATALOG-NO.	CATALOG-NO.	CATALOG-NO.		

AS SHOWN  
9-1437719-6 WIE GEZEICHNET

THIS DRAWING IS UNCLASSIFIED FROM THE PROTECTIVE ORDERING SYSTEM ON 03/11/2009 RELEASED FOR PUBLICATION DATE: 03/11/2009 BY: TICO ELECTRONICS CORPORATION ALL RIGHTS RESERVED DATE: 03/11/2009 FILE: ECR-21-003049		DWN: H. GEISLER 19JUN2001 CHK: H. SCHERER 19JUN2001 APVD: G. FELDMAYER 19JUN2001	tyco Electronics tyco Electronics AMP GmbH D - 64625 Bensheim
DIMENSIONS: - TOLERANCES UNLESS OTHERWISE SPECIFIED: - MASSMÄSSE: - TOLERANZEN UNLESS OTHERWISE SPECIFIED: -		NAME: T01 FEMALE PLUG CONN. PANEL MNT. SOLDER VER. 3-8 POS. 180 DGR. T01 BUCHSENSTECKER, EINBAU, LOETVERSION 3-8 POL. 180 GRAD	SIZE: A1 CAGE CODE: 00779 DRAWING NO.: 9-1437719-6 SCALE: 1:1 SHEET: 1 OF 1 REV: A2
MATERIAL: - FINISH/BESCHICHTUNG: - WEIGHT: - CUSTOMER DRAWING		RESTRICTED TO NON-FUER: - SCALE: 1:1 SHEET: 1 OF 1 REV: A2	