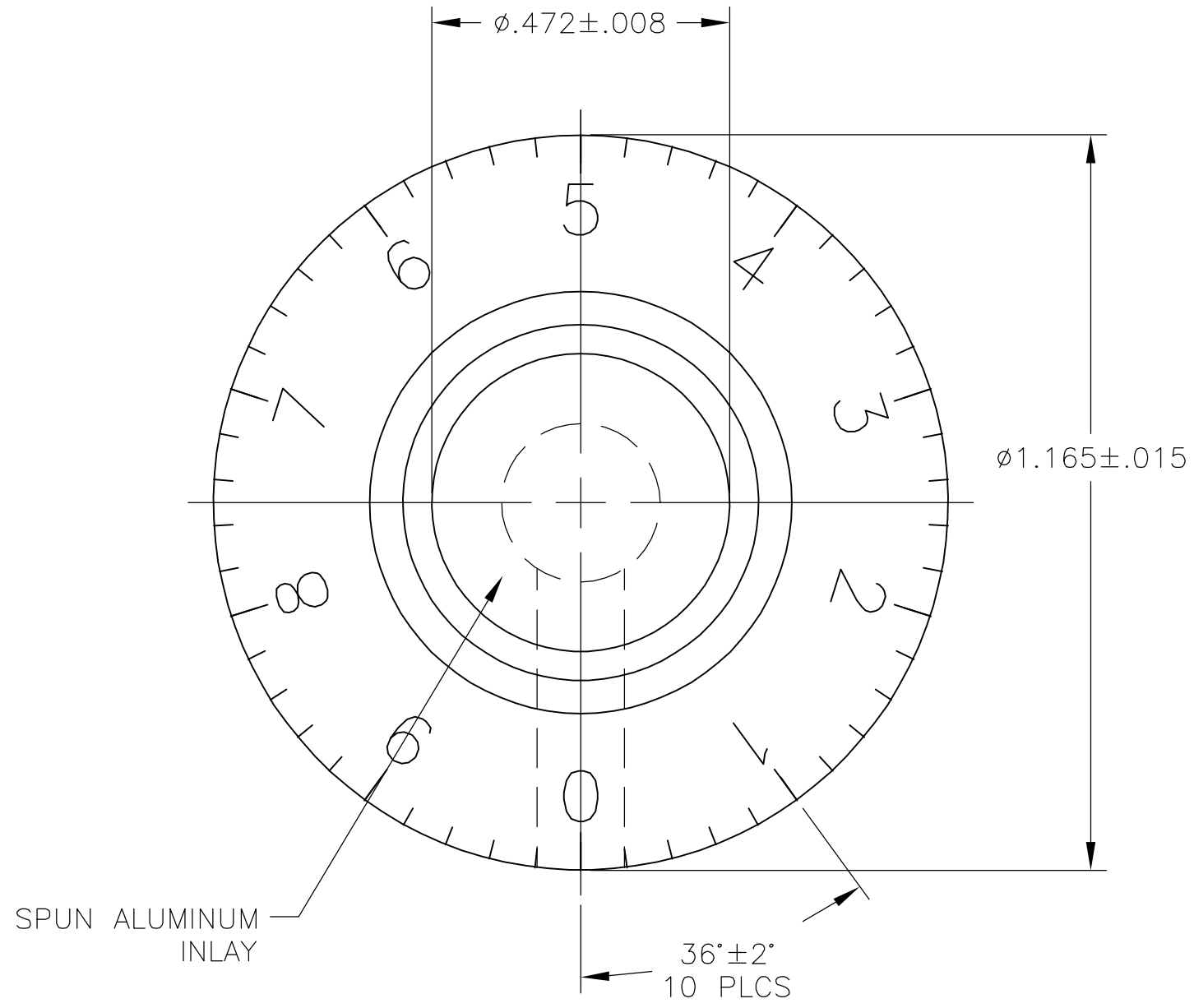
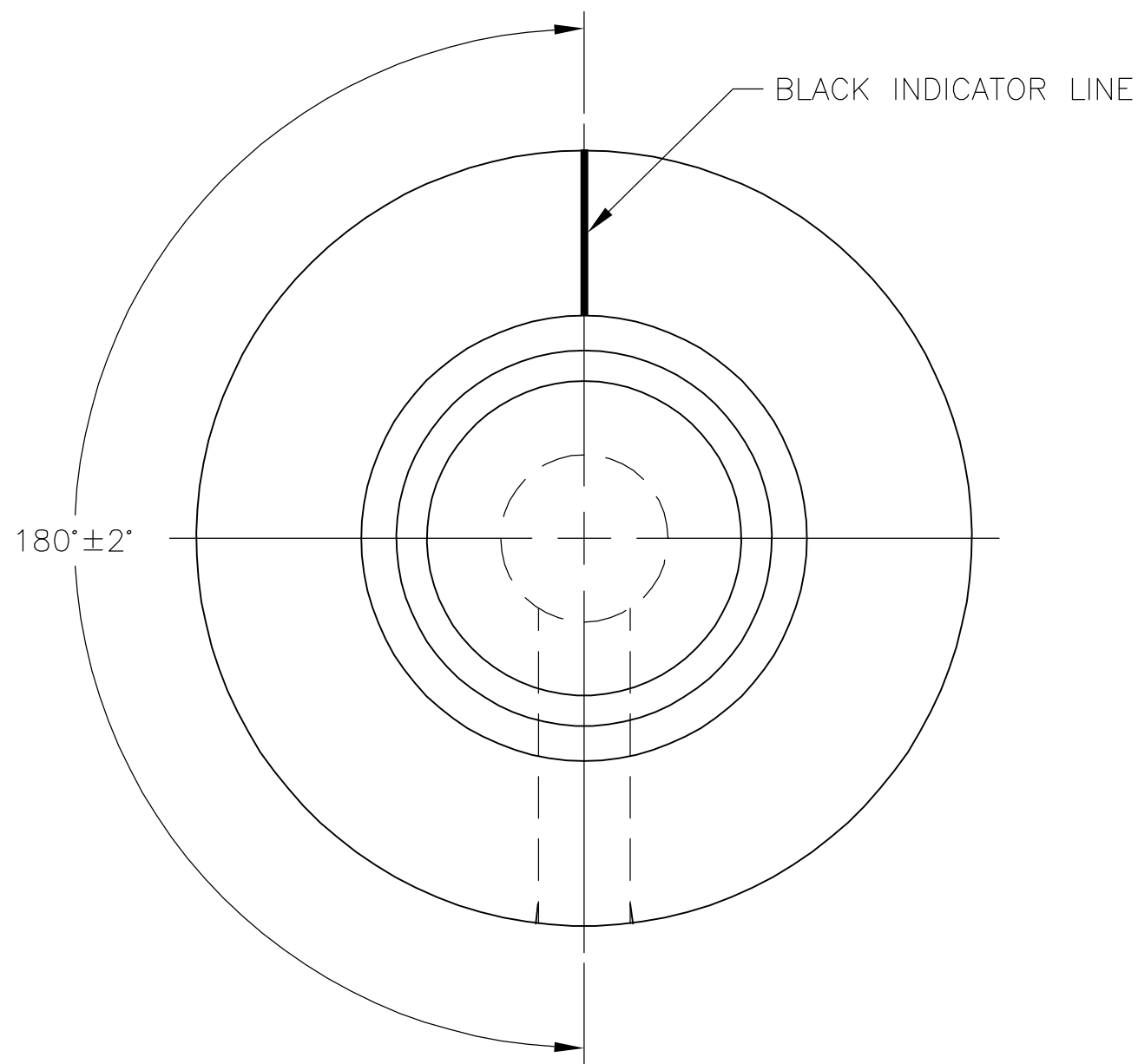


THIS DRAWING IS UNPUBLISHED. RELEASED FOR PUBLICATION  
 © COPYRIGHT BY TYCO ELECTRONICS CORPORATION. ALL RIGHTS RESERVED.

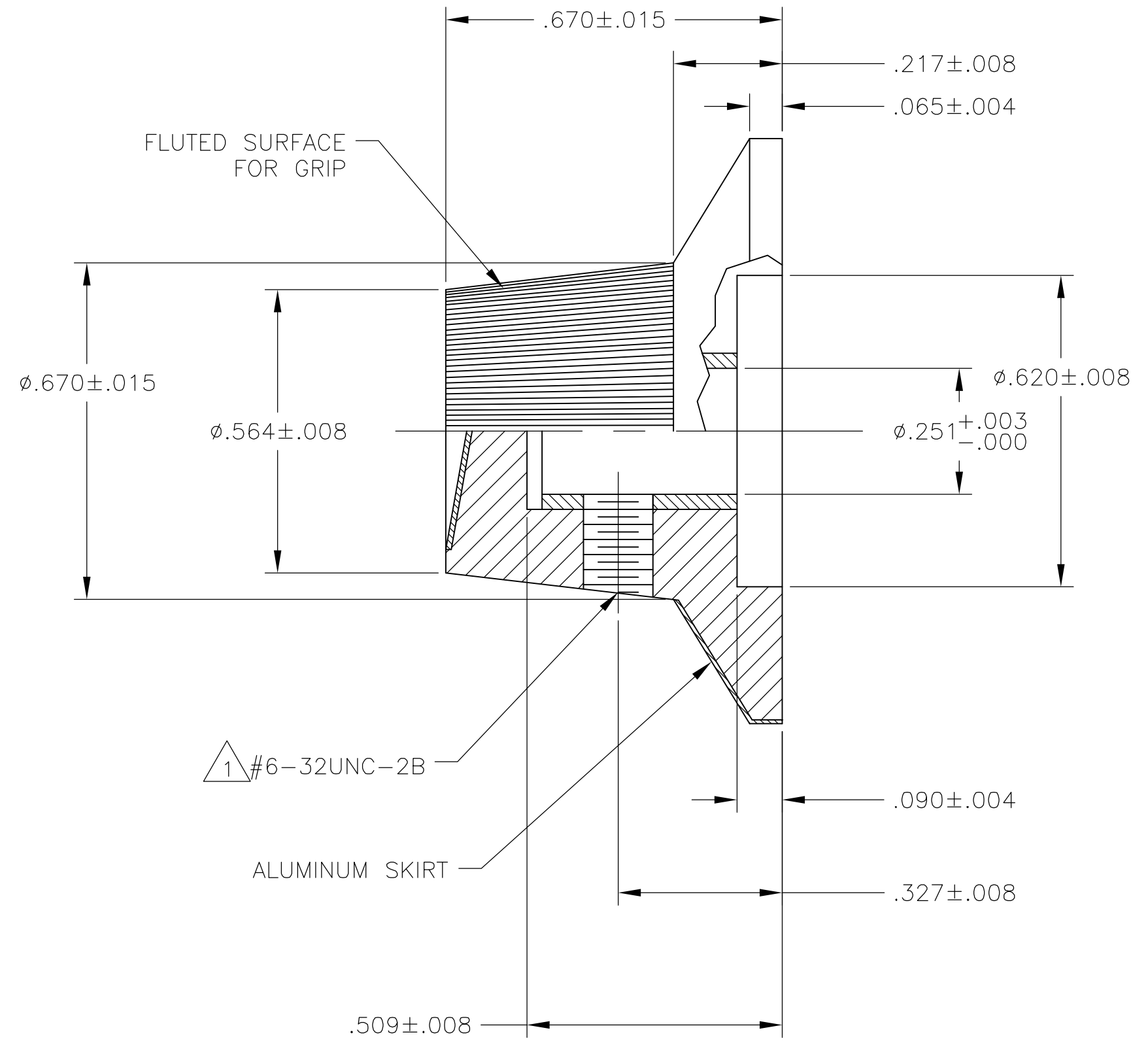
LOC	DIST	REVISIONS			
P	LTR	DESCRIPTION	DATE	DWN	APVD
AD	00				
	A	ECO-05-2839	01MAR06	MB	MZ



9-1437624-6



9-1437624-7



1 SUPPLIED WITH ONE STEEL HEXT SOCKET SCREW  
 CUP POINT #6-32UNC-2A X .188 LONG.

PKS1106B-1/4	9-1437624-7
PKS1105B-10-1/4	9-1437624-6
ALCO NUMBER	PART NUMBER

THIS DRAWING IS A CONTROLLED DOCUMENT.		DWN	M.BINNER	01MAR2006	 Tyco Electronics Corporation Harrisburg, PA 17105-3608																				
DIMENSIONS: INCHES		CHK	M.ZITTO	01MAR2006																					
TOLERANCES UNLESS OTHERWISE SPECIFIED:		APVD	M.ZITTO	01MAR2006																					
<table border="1"> <tr><td>0 PLC</td><td>±</td><td>-</td></tr> <tr><td>1 PLC</td><td>±</td><td>-</td></tr> <tr><td>2 PLC</td><td>±</td><td>-</td></tr> <tr><td>3 PLC</td><td>±</td><td>-</td></tr> <tr><td>4 PLC</td><td>±</td><td>-</td></tr> <tr><td>ANGLES</td><td>±</td><td>-</td></tr> <tr><td>FINISH</td><td>-</td><td>-</td></tr> </table>		0 PLC	±	-		1 PLC	±	-	2 PLC	±	-	3 PLC	±	-	4 PLC	±	-	ANGLES	±	-	FINISH	-	-	NAME	M.ZITTO
0 PLC	±	-																							
1 PLC	±	-																							
2 PLC	±	-																							
3 PLC	±	-																							
4 PLC	±	-																							
ANGLES	±	-																							
FINISH	-	-																							
MATERIAL: PHENOLIC		PRODUCT SPEC	KNOB, PLASTIC																						
		APPLICATION SPEC	PKS1106B-1/4 & PKS1105B-10-1/4																						
		WEIGHT	-	SIZE	A2																				
		CUSTOMER DRAWING	SCALE		4:1																				
			SHEET	1 of 1	REV																				
					A																				