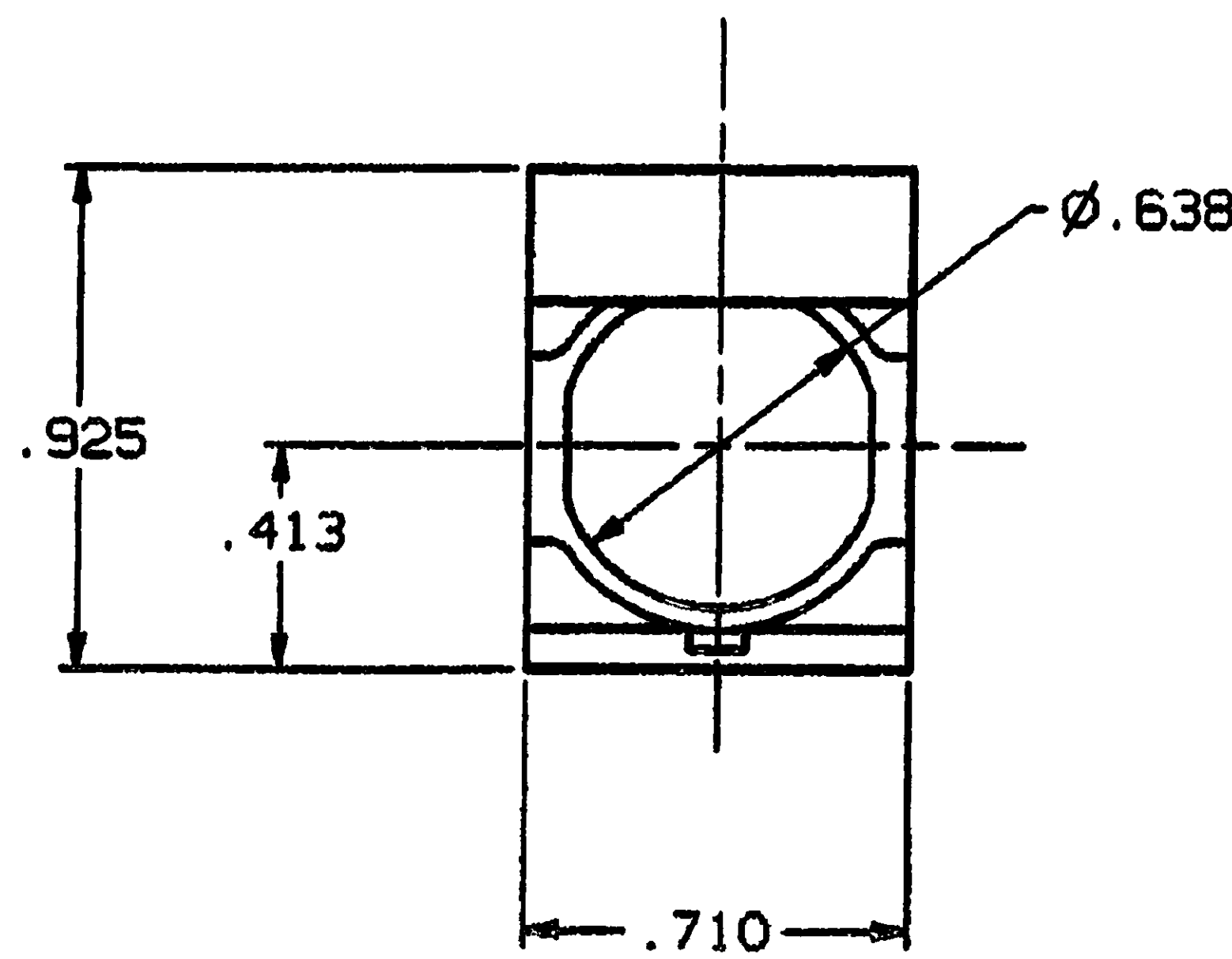
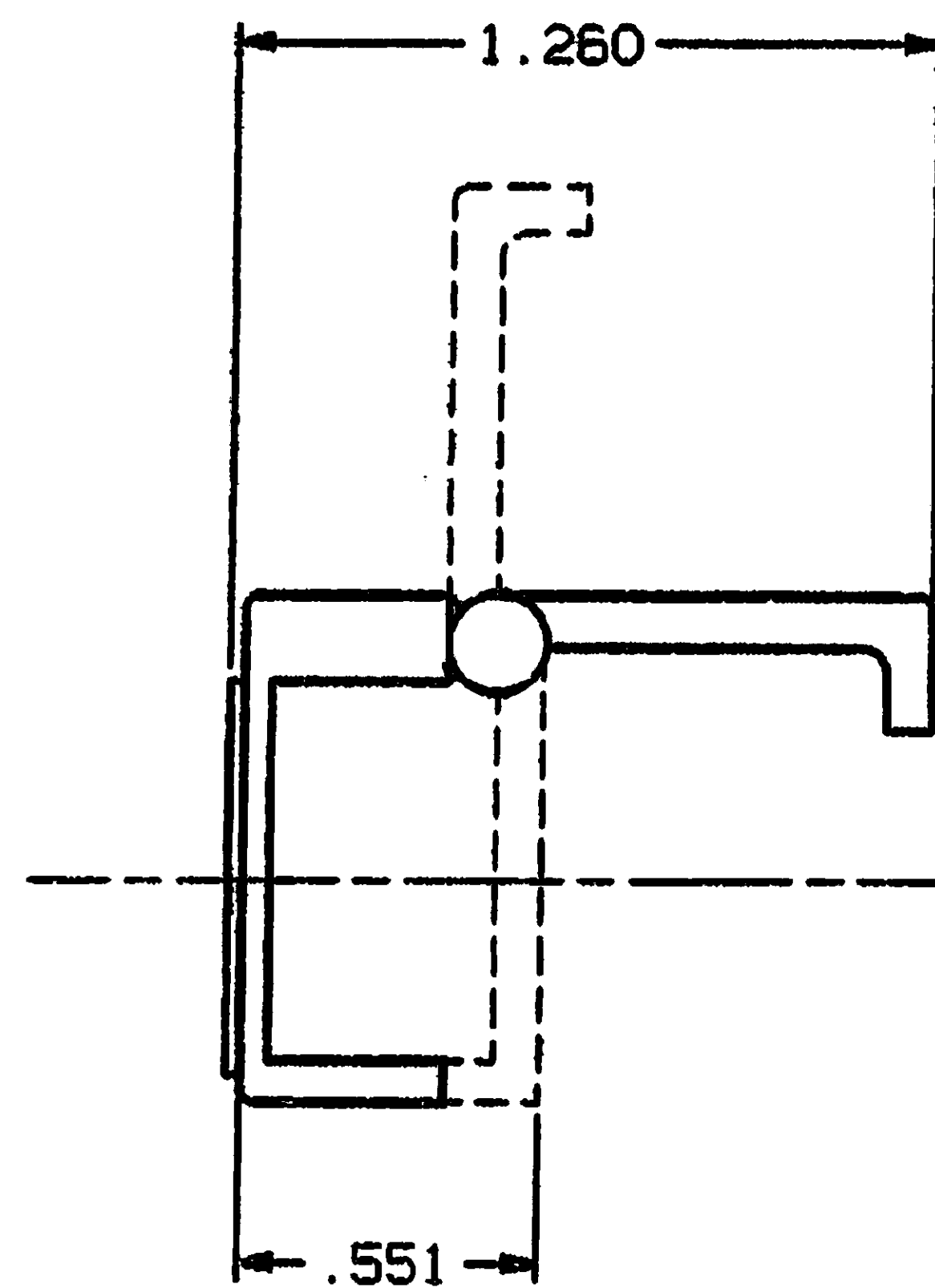
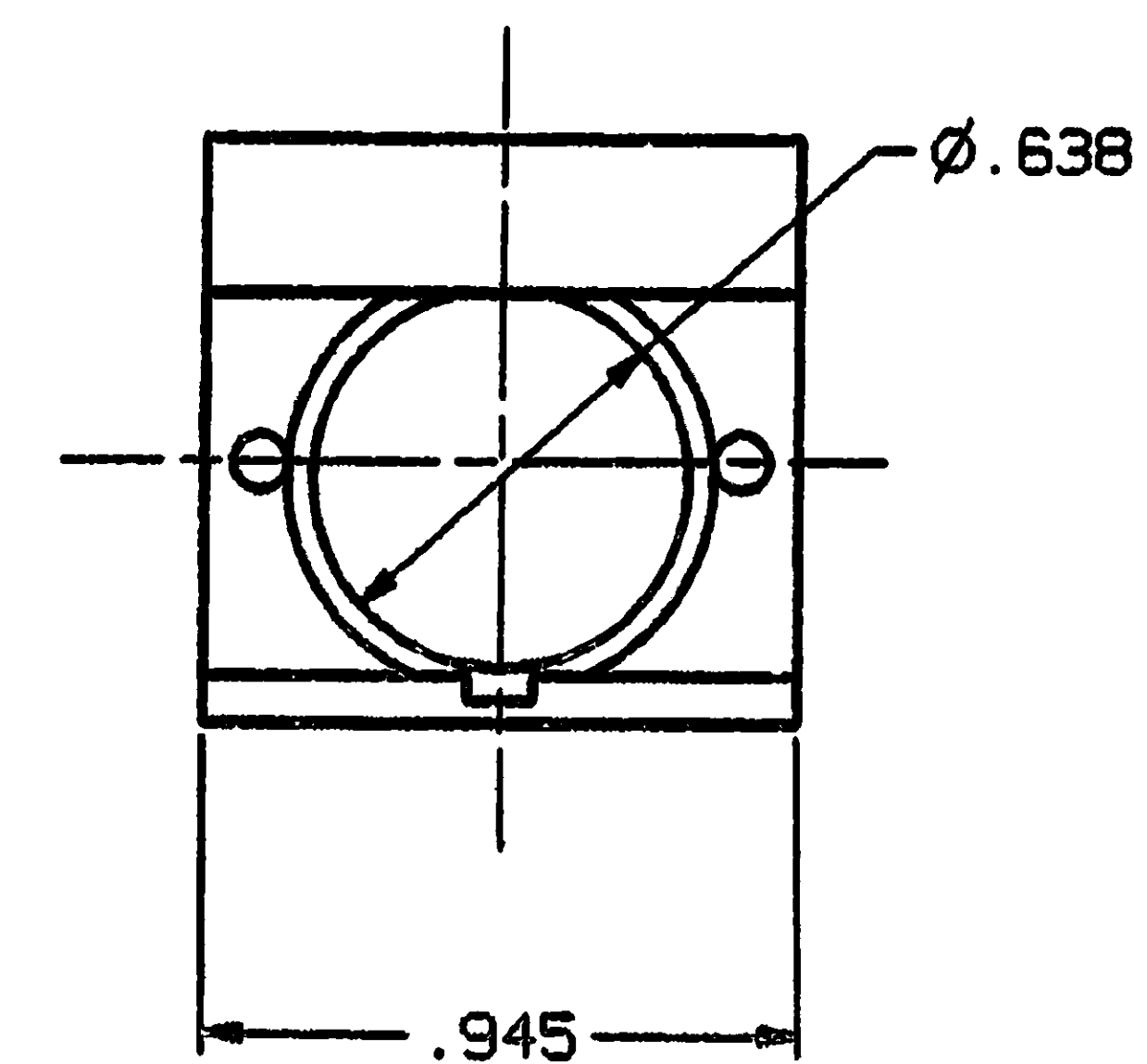


CONVERSION CHART	
INCH	MM
.413	10.5
.551	14.0
.638	16.2
.710	18.0
.925	23.5
.945	24.0
1.260	32.0

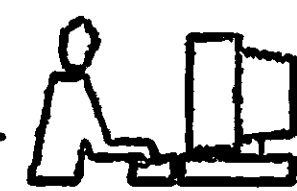


MODEL #671  
SQUARE



MODEL #669  
RECTANGULAR

THIS IS A C.A.D. GENERATED DRAWING.  
DO NOT HAVE MANUAL REVISIONS TO PARTS.



<b>REVISIONS</b> INT'L RELEASE ESR/AS288 TRU-D 5-10-94 APP'D	REV 0	THIRD ANGLE PROJECTION	UNLESS OTHERWISE SPECIFIED DIMENSIONS ARE IN INCHES DO NOT SCALE PRINT		ORIGINAL DATE OF DRAWING: 5-10-94		452 JOHN DIETSCH BLVD. ATTLEBORO FALLS, MASS. 02763 INC.		
	TOLERANCES (EXCEPT AS NOTED) ANGULAR = ±1/2° DECIMAL .XX = ±. DECIMAL .XXX = ±.012 (0.30) DECIMAL .XXXX = ±.		FILE NAME: 81092	DIRECTORY: GUIDE	DRAWN: TRU-D	DATE: 5-10-94		TITLE: COVER, FLIP SWITCH GUARD	
	AUGAT CONFIDENTIAL This document contains information which is the exclusive property of Augat Inc. Distribution, reproduction or use by others is not permitted without the expressed written consent of Augat Inc.		MATERIAL: PLASTIC	CHECKED: <i>[Signature]</i>	DATE: 5-11-94	DWG. NO. 81092			
	FINISH: BASE-BLACK COVER-CLEAR		APPROVED: <i>[Signature]</i>	DATE: 5/11/94	CODE IDENT. NO. 91506	DWG. SIZE B		REV. 0	
			NEXT ASSY:	PRODUCT CODE: B15	SCALE: NONE	SHEET 1 OF 1			