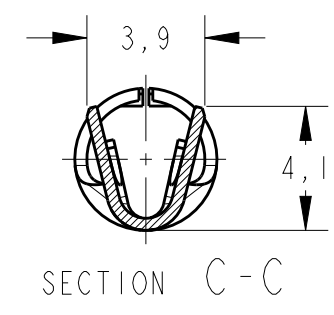
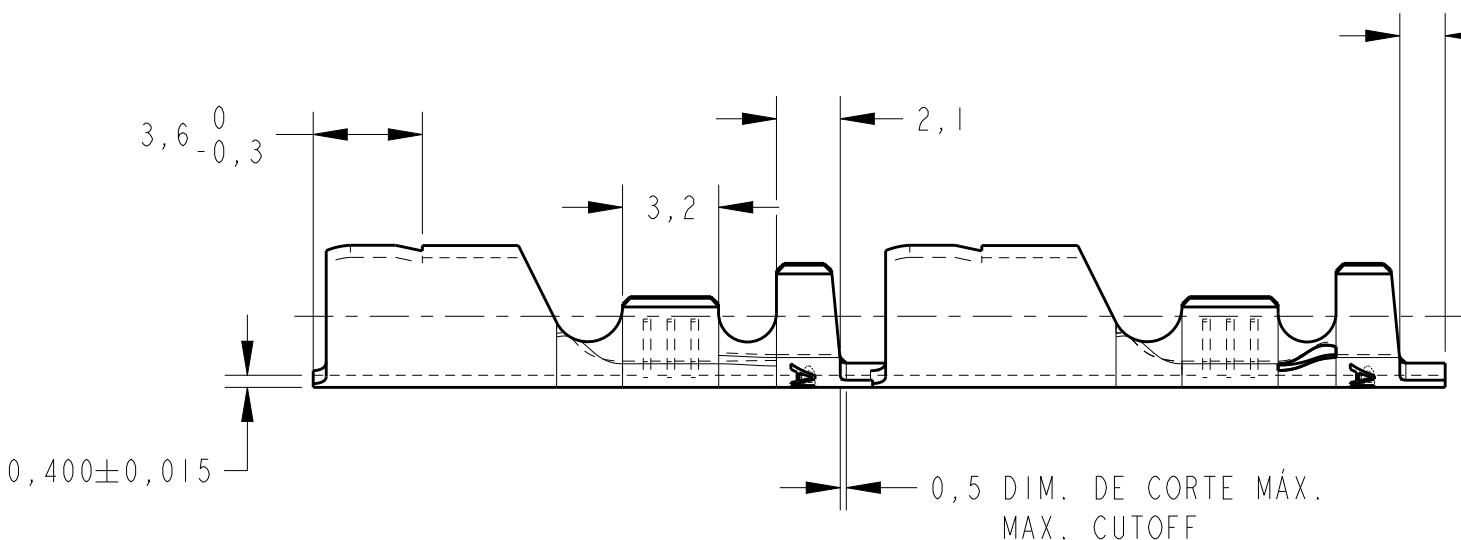
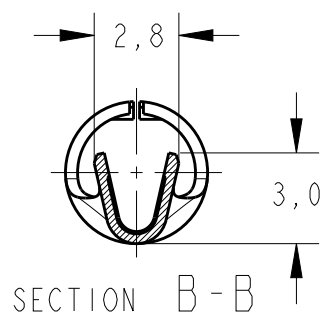
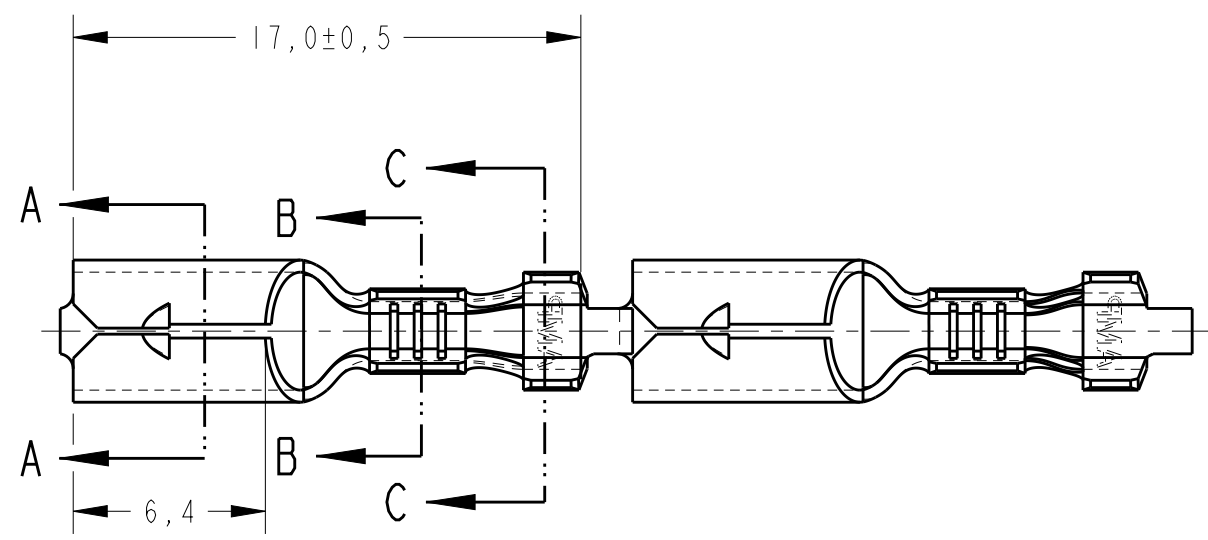


THIS DRAWING IS UNPUBLISHED. RELEASED FOR PUBLICATION 20
 © COPYRIGHT 20 BY - ALL RIGHTS RESERVED.

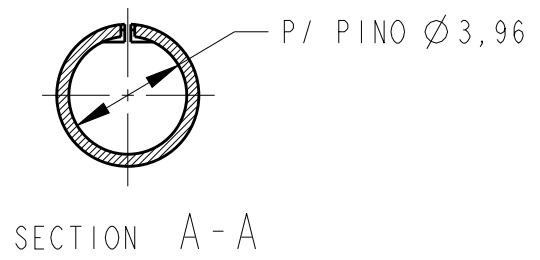
creo
 Creo Parametric 2.0
**DO NOT REVISE
 EXCEPT BY CAD**

REVISIONS					
P	LTR	DESCRIPTION	DATE	DWN	APVD
C		REVISED DRAWING ECO-11-000075	05JAN2011	NCL	ASV
D		REVISED ECO 15-012439	10SEP2015	HC	WLS
E		REVISED DRAWING ECO-15-015834	04NOV2015	NCL	DAO
E1		REVISED ECO 18-018159	19NOV2018	WLS	WLS



- △1 - PEÇA SOLTA
- LOOSE PIECE
- △2 - OBSOLETE

3-PAPER SPLICE METHOD.
 SPLICE MADE WITH THE INTERLEAVE PAPER.



OBSOLETE △2	—	—	BRONZE FOSF.	881724-8
	—	ESTANHADO	LATÃO	881724-7
	—	—	LATÃO	881724-6
	—	PRATEADO	BRONZE FOSF.	881724-5
	—	PRATEADO	LATÃO	881724-4
	—	—	BRONZE FOSF.	881724-3
	—	ESTANHADO	LATÃO	881724-2
	—	—	LATÃO	881724-1
OTHER TREATMENT	FINISH	MATERIAL	PART NUMBER	

THIS DRAWING IS A CONTROLLED DOCUMENT.		DWN R.K.S.T.LEME 13JUN2007	STE TE Connectivity	
DIMENSIONS: mm		CHK S.H.OLIVEIRA 13JUN2013		
TOLERANCES UNLESS OTHERWISE SPECIFIED:		APVD S.H.OLIVEIRA 13JUN2013	NAME -	
0 PLC ±-	1 PLC ±0,3	PRODUCT SPEC	.156 DIA SHUR PLUG REC.	
2 PLC ±-	3 PLC ±-	APPLICATION SPEC	-	
4 PLC ±-	ANGLES ±1°	WEIGHT	SIZE A3	CAGE CODE 00779
MATERIAL SEE TABLE	FINISH	Customer Drawing	DRAWING NO C-881724	RESTRICTED TO -
WIRE RANGE 0,5-1,0 mm ²	INS. RANGE 1,40-2,70mm ²	SCALE 4:1	SHEET 1 OF 1	REV E1