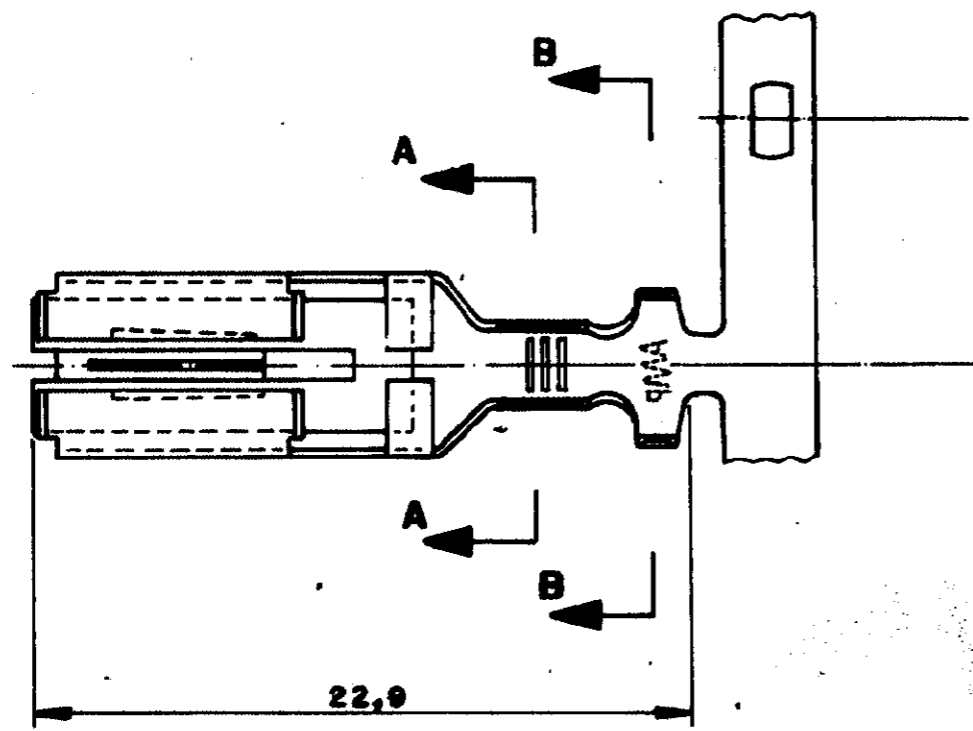
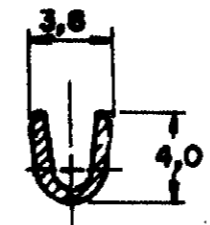


C 881612

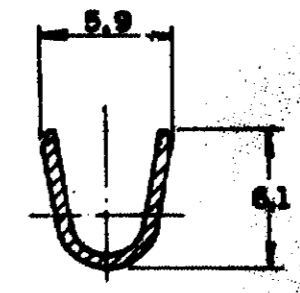


DO NOT SCALE
DIMENSIONS IN

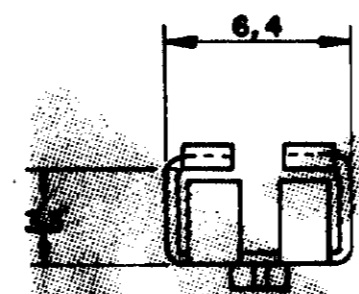
METRIC



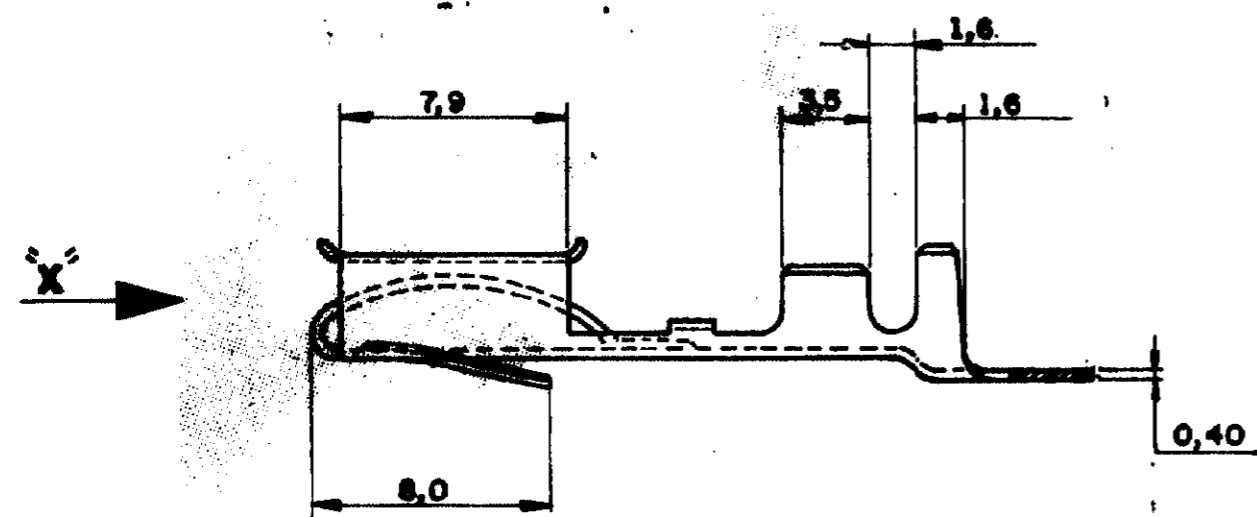
SECÇÃO A-A



SECÇÃO B-B



VISTA POR X



OTHER TREATMENT		ESTANHADO	FINISH	LATÃO	MATERIAL	881612	PART NUMBER
CUSTOMER DWG for REFERENCE ONLY		THIS DRAWING IS UNPUBLISHED EXCEPT FOR REPLICATION		AMP do BRASIL LTDA		SÃO PAULO, BRASIL	
TOLERANCES UNLESS OTHERWISE STATED DEC. ± 0,3 ANGLES ± 1°		INS. DIA. RANGE		WIRE RANGE		SCALE	
DR. 05-11-90 DOURIVAL ALVES ROCHA		2,7 - 4,0mm		>1,0 - 2,5mm		— / —	
CHK. <i>Lasca</i> 19-12-90		AMP		DESCRIPTION		POSITIVE MATE RECEPTACLE	
ERA PRO-29509		A3		C 881612		1 of 1	
REVISION RECORD		APP.		DWG NO		SHEET	