

8

7

6

5

4

3

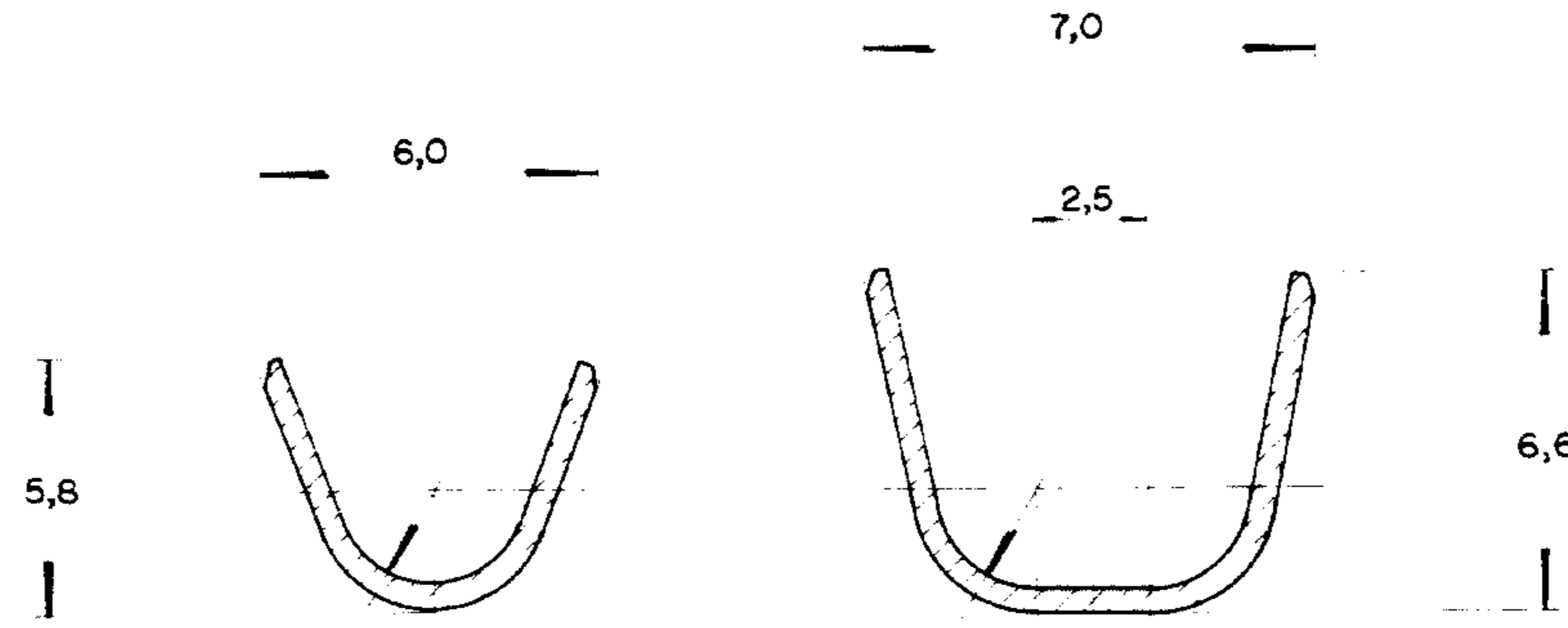
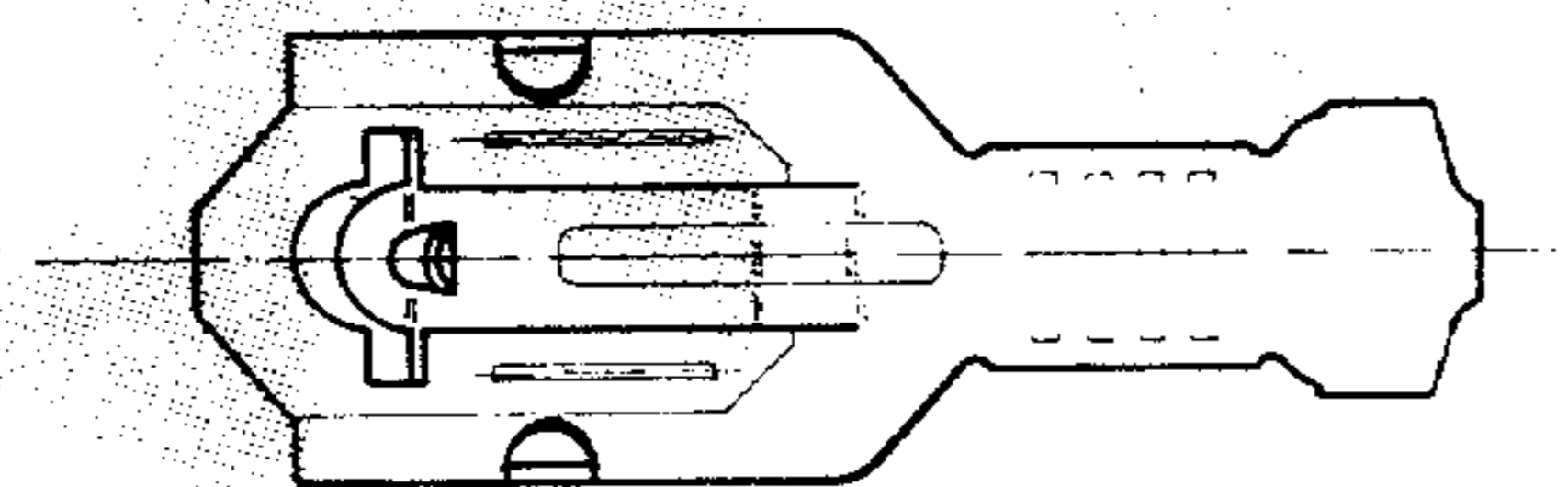
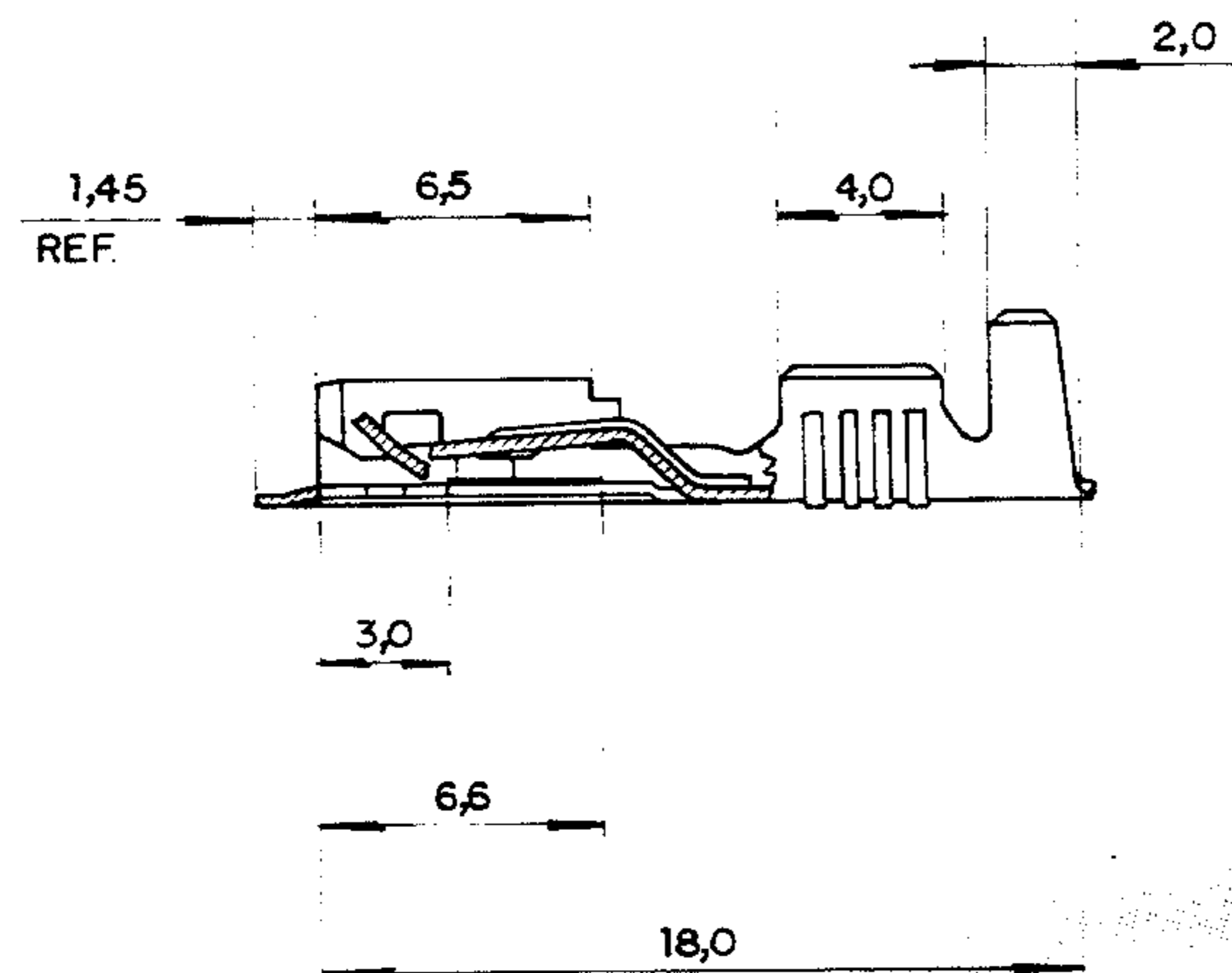
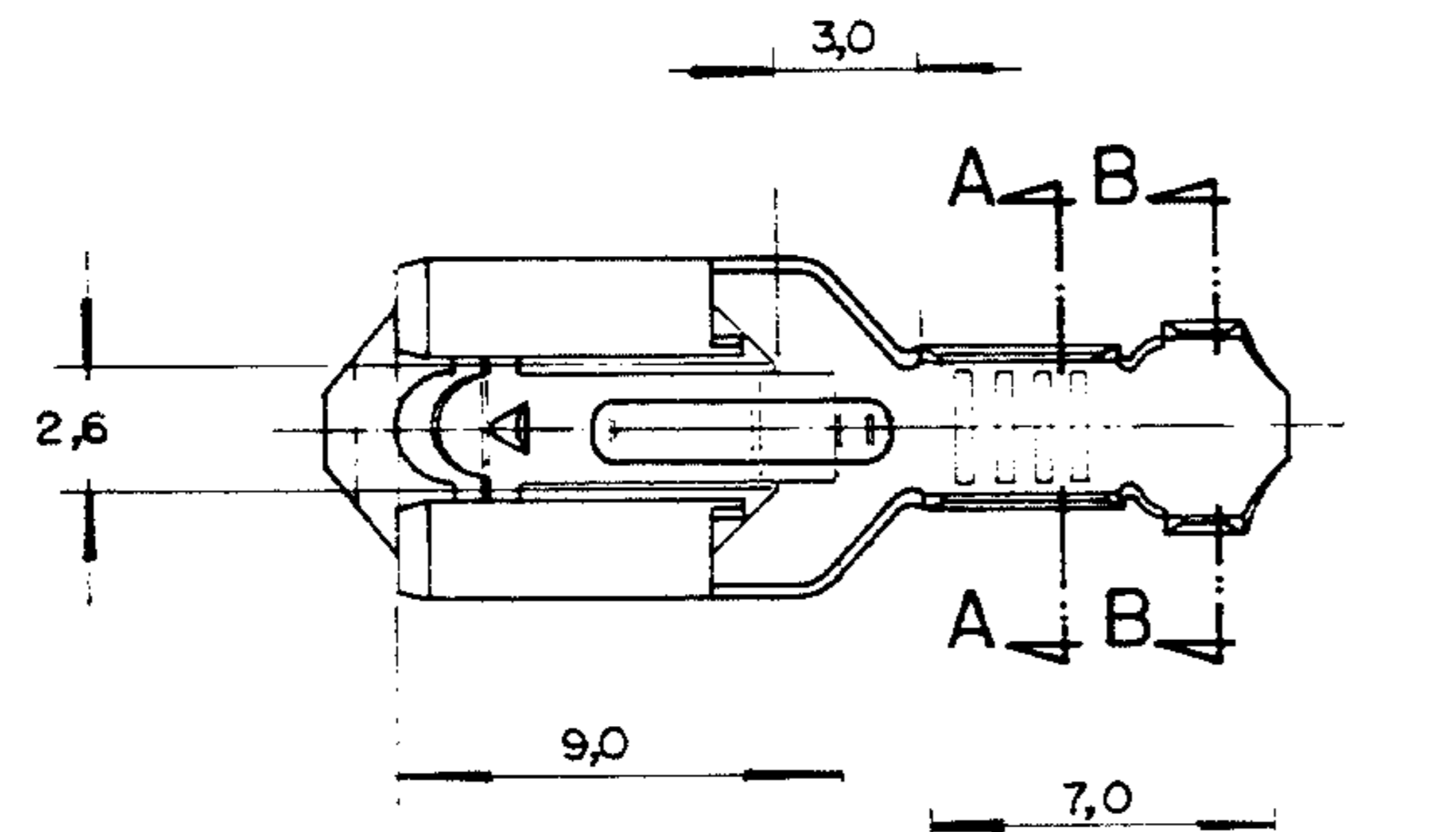
2

1

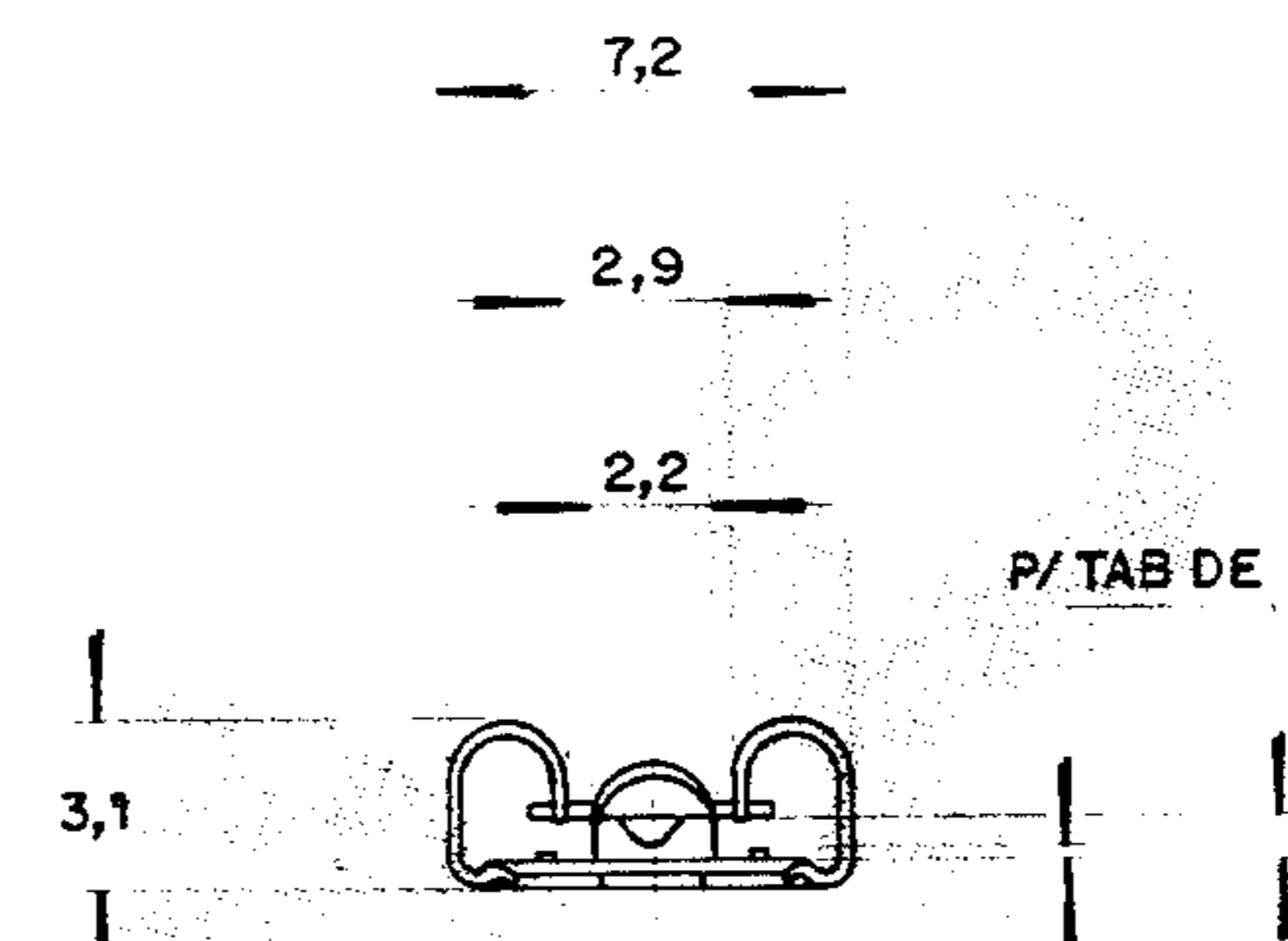
DO NOT SCALE
DIMENSIONS IN mm.

METRIC

3rd ANGLE PROJECTION



SECÇÃO A-A R. 1,8 SECÇÃO B-B R. 1,1



VISTA "X"

1 OBSOLETE PARTS: OBSOLETE CIS STREAMLINING PER D.RENAUD/D.SINISI

1 OBSOLETE

**ESTUDO
PRELIMINAR
SUJEITO A MODIFICAÇÕES**

		BRONZE FOSF.	- 2
ESTANHADO		LATÃO	881598-1
OTHER TREATMENT	FINISH	MATERIAL	PART NUMBER
CUSTOMER DWG for REFERENCE ONLY		THIS DRAWING IS UNPUBLISHED RELEASED FOR PUBLICATION	
		C. COPYRIGHT IS RESERVED AMP PRODUCTS MAY BE COVERED BY U.S. AND FOREIGN PATENTS AND/OR PATENTS PENDING.	
		TOLERANCES UNLESS OTHERWISE STATED	INS. DIA RANGE WIRE RANGE SCALE
		DEC. ±0,3	28+2,8 mm 1,0+1,0 mm ² /
		ANGLES ±1°	
		DR	AMP do BRASIL LTDA. São Paulo, Brasil
		CHK	DESCRIPTION
			RECEPTACLE FOR TAB 5mm
A1	REVISED PER ECO-09-026444	KK	AEG
A	ADICIONADO TRACO 3	MRBHZ	26/06-JUL-91
Q	ERA P90-29344	MG	19-OCT-90
ISS	REVISION RECORD	DR	CHK DATE APP
A2	DWG NO	C	881598
	SHEET		1 OF 1

C

G

F

E

D

C

B

A

H

G

F

E

D

C

B

A