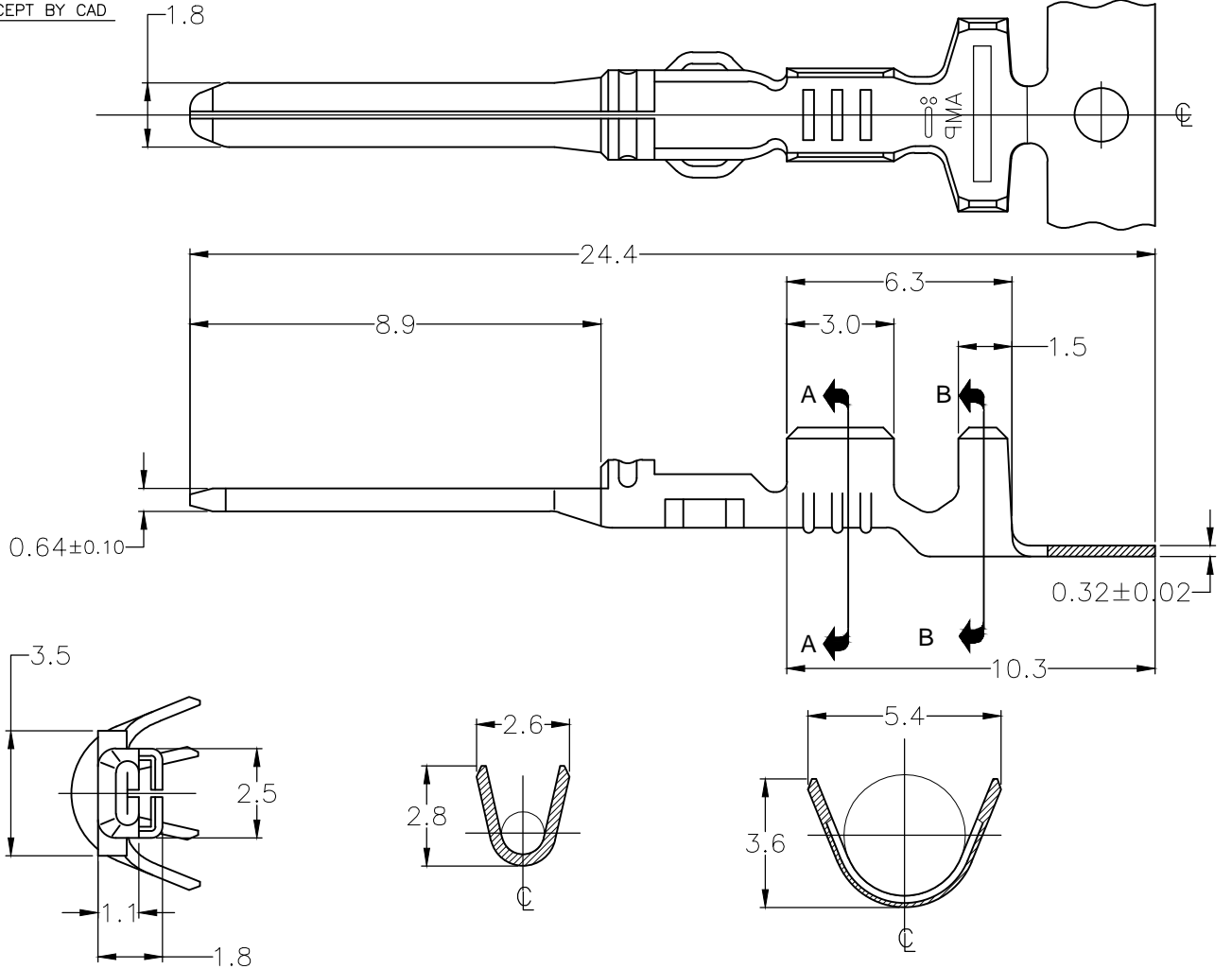


DO NOT SCALE

REVISIONS

P	LTR	DESCRIPTION	DATE	DWN	APVD
	B1	REVISED BY ECO-18-015989	15JUL2019	PSB	DAO

CAD
AutoCAD
DO NOT REVISE EXCEPT BY CAD



CORTE A-A
SECTION A-A

CORTE B-B
SECTION B-B

0,5–1,0mm²
WIRE RANGE

∅1,4–2,4mm
INSULATION RANGE

PRÉ-ESTANHADO
PRE TIN

BRONZE

881593-2

PRÉ-ESTANHADO
PRE TIN

LATÃO
BRASS

881593-1

RAW MAT'L NO

FINISH

MATERIAL

PART NUMBER

DIMENSIONS:

mm

DWN H.LIVERARO 25JAN01

MATERIAL VER TABELA/SEE TABLE

FINISH

-

CHK N.C.LAPRESA 25JAN01

APVD L.G.DALTO 25JAN01

PRODUCT SPEC

-

APPLICATION SPEC

114-37021

WEIGHT ---/---

NAME

TERMINAL, 1.8 ECONOSEAL
"J" SERIES MARK II+ TAB

SIZE

CAGE CODE

DRAWING NO

RESTRICTED TO

A4

00779

881593

-

CUSTOMER DRAWING

SCALE

5:1

SHEET

1 OF 1

REV

B1

RELEASED FOR PUBLICATION

ALL RIGHTS RESERVED.

TE Connectivity Ltd.

THIS DRAWING IS UNPUBLISHED.

0 PLC	± -
1 PLC	± 0.3
2 PLC	±
3 PLC	± -
4 PLC	± -
ANGLES	± 1°

