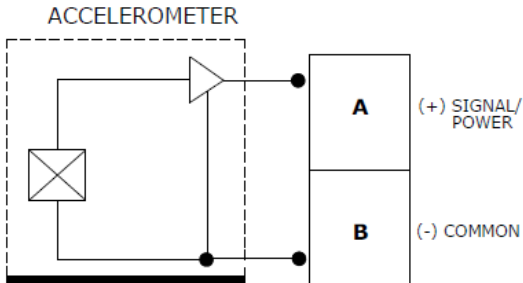
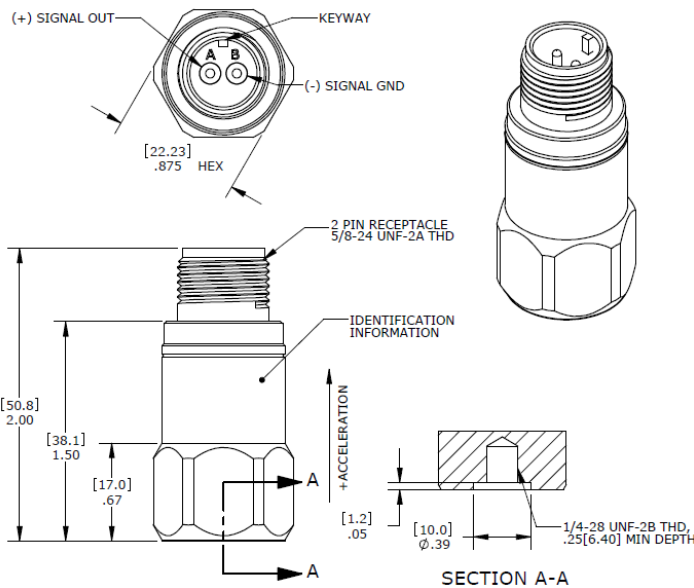




DIMENSIONS



MODEL 8811-01 ACCELEROMETER

SPECIFICATIONS

- ◆ Industrial IEPE Accelerometer
- ◆ Lightning Protected to $\pm 2.5\text{kV}$
- ◆ -55°C to $+120^{\circ}\text{C}$ Operating Range
- ◆ Top Exit Connector

The Model 8811-01 are internally shielded rugged IEPE accelerometers with custom lightning protection up to $\pm 2.5\text{kV}$ designed for harsh industrial condition monitoring where accelerometers could be exposed to lightning. The accelerometers are available in $\pm 5\text{g}$ to $\pm 80\text{g}$ dynamic ranges and have a flat bandwidth up to greater than 10kHz . The model 8811-01 accelerometer features a top exit MIL-C-5015 connector and is designed to operate in temperature ranges from -55°C to $+120^{\circ}\text{C}$.

FEATURES

- ◆ $\pm 5\text{g}$, $\pm 10\text{g}$, $\pm 20\text{g}$ & $\pm 80\text{g}$ Dynamic Ranges
- ◆ Wide bandwidth up to $>10\text{kHz}$
- ◆ Case Isolated, Internally Shielded
- ◆ Hermetically Sealed, Welded
- ◆ Annular Shear Mode
- ◆ Reverse Wiring Protection
- ◆ Lightning Protection

APPLICATIONS

- ◆ Wind Tower Installations
- ◆ Machine Monitoring
- ◆ Industrial Applications
- ◆ Harsh Environments
- ◆ Gearbox Monitoring

PERFORMANCE SPECIFICATIONS

All values are typical at +24°C, 80Hz and 4mA excitation unless otherwise stated. Measurement Specialties reserves the right to update and change these specifications without notice. Standard product parameters are described in PSC-1003 for Plug & Play AC Accelerometers.

Parameters					Notes
DYNAMIC					
Range (g)	±5	±10	±20	±80	
Sensitivity (mV/g)	1000	500	250	100	±10%
Frequency Response (Hz)	0.3-4000	0.3-4000	1-7000	1-7000	±5%
Frequency Response (Hz)	0.1-6000	0.1-6000	0.3-10000	0.3-10000	±3dB
Natural Frequency (Hz)	20000	20000	32000	32000	
Non-Linearity (%FSO)	±1	±1	±1	±1	
Transverse Sensitivity (%)	<5	<5	<5	<5	
Shock Limit (g)	2000	2000	5000	5000	
Residual Noise (g RMS)	0.00010	0.00015	0.00025	0.00040	
Base Strain Sensitivity (g/μstrain)	<0.0002	<0.0002	<0.0002	<0.0002	
Weight (grams)	105	105	88	88	

ELECTRICAL					
Compliance Voltage (Vdc)	18 to 30				See Note 1
Excitation Current (mA)	2 to 10				
Bias Voltage (Vdc)	10 to 13				Room Temperature
Output Impedance (Ω)	<100				
Dielectric Strength (Vac)	±2500				
Warm-up Time (sec)	<5				
Grounding	Case Isolated, Internally Shielded				

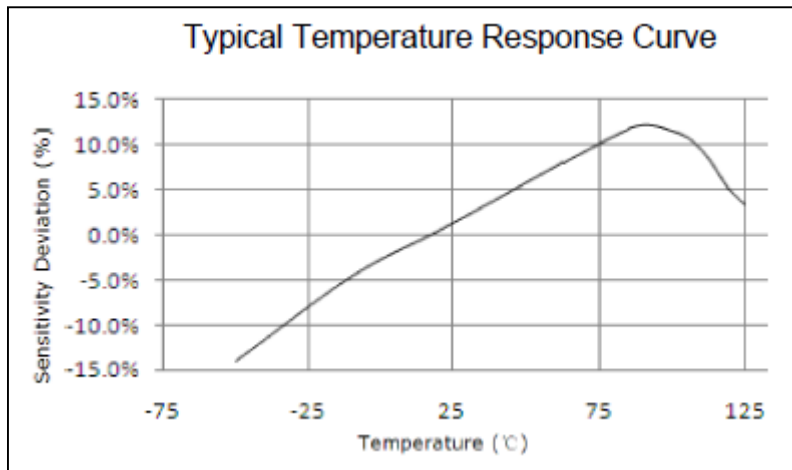
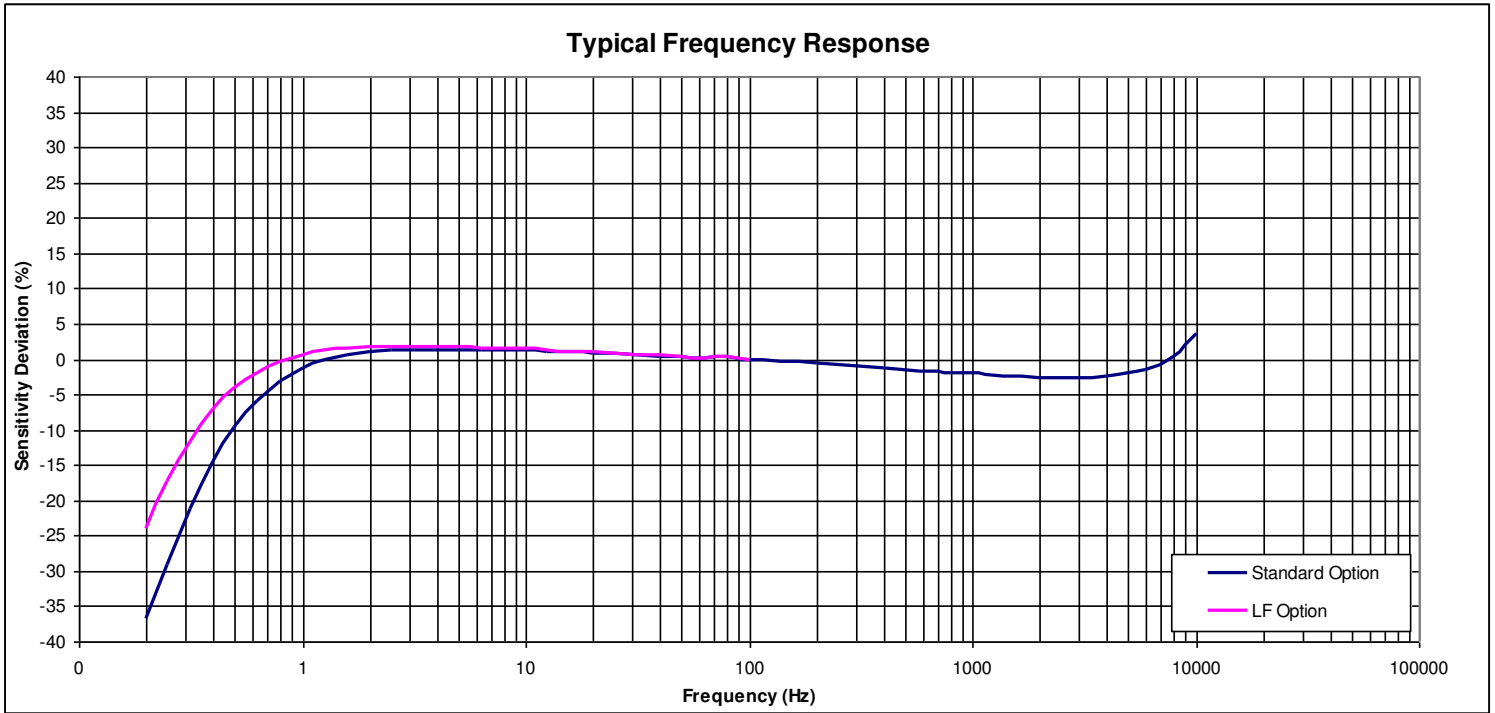
ENVIRONMENTAL	
Temperature Response (%)	See typical temperature response on following page
Operating Temperature (°C)	-55 to +120
Storage Temperature (°C)	-55 to +120
Humidity	Hermetically Sealed, IP67

PHYSICAL	
Sensing Element	Ceramic (shear mode)
Case Material	Stainless Steel
Mounting Torque	24 lb-in (2.7 N-m)

¹ For full dynamic range a minimum compliance voltage of 24Vdc is recommended

Calibration supplied:	CS-SENS-0100	NIST Traceable Amplitude Calibration at 80Hz
Supplied accessories:	AC-A03663	¼-28 to ¼-28 mounting stud
Optional accessories:	316A-XXX	Cable Assembly, Straight (XXX designates length in inches, 10ft standard)
	318A-XXX	Cable Assembly, 90 Degrees (XXX designates length in inches, 10ft standard)
	AC-D03664	¼-28 to M5 mounting stud
	AC-D03665	¼-28 to M6 mounting stud

The information in this sheet has been carefully reviewed and is believed to be accurate; however, no responsibility is assumed for inaccuracies. Furthermore, this information does not convey to the purchaser of such devices any license under the patent rights to the manufacturer. Measurement Specialties, Inc. reserves the right to make changes without further notice to any product herein. Measurement Specialties, Inc. makes no warranty, representation or guarantee regarding the suitability of its product for any particular purpose, nor does Measurement Specialties, Inc. assume any liability arising out of the application or use of any product or circuit and specifically disclaims any and all liability, including without limitation consequential or incidental damages. Typical parameters can and do vary in different applications. All operating parameters must be validated for each customer application by customer's technical experts. Measurement Specialties, Inc. does not convey any license under its patent rights nor the rights of others.



ORDERING INFORMATION

PART NUMBERING Model Number+Range

8811LF-01-GGG

I I Range (080 is 80g)

I Low frequency, required for 5g and 10g ranges

Standard model numbers:

8811LF-01-005

8811LF-01-010

8811-01-020

8811-01-080

NORTH AMERICA

Measurement Specialties, Inc.,
a TE Connectivity Company
Tel: 800-522-6752
Email: customercare.hmpt@te.com

EUROPE

MEAS France SAS
a TE Connectivity Company
Tel: 800-440-5100
Email: customercare.lcsb@te.com

ASIA

Measurement Specialties (China), Ltd.,
a TE Connectivity Company
Tel: 0400-820-6015
Email: customercare.shzn@te.com

TE.com/sensorsolutions

Measurement Specialties, Inc., a TE Connectivity company.

Measurement Specialties, TE Connectivity, TE Connectivity (logo) and EVERY CONNECTION COUNTS are trademarks. All other logos, products and/or company names referred to herein might be trademarks of their respective owners.

The information given herein, including drawings, illustrations and schematics which are intended for illustration purposes only, is believed to be reliable. However, TE Connectivity makes no warranties as to its accuracy or completeness and disclaims any liability in connection with its use. TE Connectivity's obligations shall only be as set forth in TE Connectivity's Standard Terms and Conditions of Sale for this product and in no case will TE Connectivity be liable for any incidental, indirect or consequential damages arising out of the sale, resale, use or misuse of the product. Users of TE Connectivity products should make their own evaluation to determine the suitability of each such product for the specific application.

© 2015 TE Connectivity Ltd. family of companies All Rights Reserved.