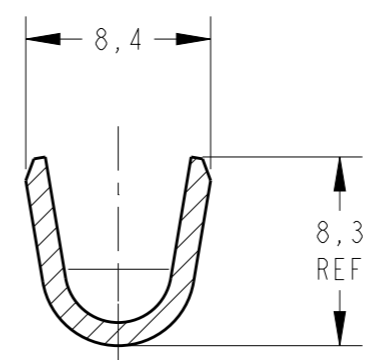
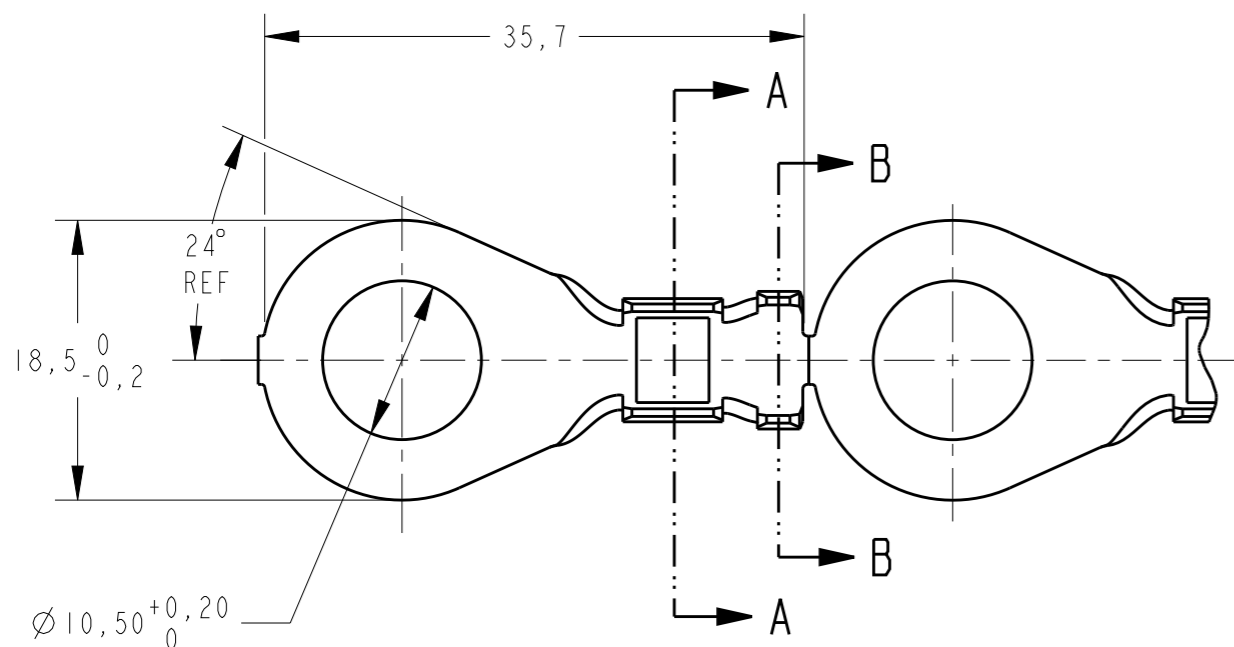


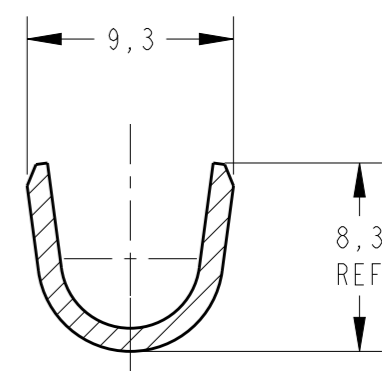
creo
Creo Parametric 2.0
DO NOT REVERSE
EXCEPT BY CAD

REVISIONS

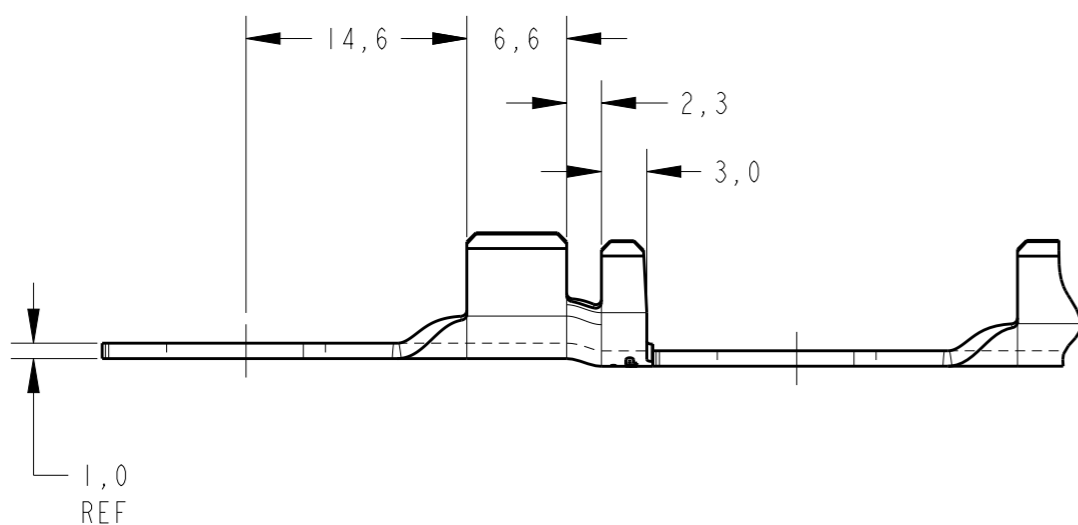
P	LTR	DESCRIPTION	DATE	DWN	APVD
	C	REDRAW BY CAD ECO-14-013530	08SEP2014	NCL	LWP



SECTION A-A
SCALE 3:1



SECTION B-B
SCALE 3:1



PERSPECTIVE VIEW
SCALE 1:1

SL D101-26	ESTANHADO / TIN	LATÃO / BRASS	881003-2
---	---	LATÃO / BRASS	881003-1
FORD PN	FINISH	MATERIAL	PART NUMBER

THIS DRAWING IS A CONTROLLED DOCUMENT.		DWN NCLAPRESA 11DEC2012	STE TE Connectivity	
DIMENSIONS: mm		CHK JRGOLDSCHMIDT 11DEC2012		
TOLERANCES UNLESS OTHERWISE SPECIFIED:		APVD DAOLIVEIRA 11DEC2012	NAME - RING TONGUE	
0 PLC ±-	1 PLC ±0,3	PRODUCT SPEC -	RESTRICTED TO -	
2 PLC ±-	3 PLC ±-	APPLICATION SPEC -	SIZE A3	CAGE CODE 00779
4 PLC ±-	ANGLES ±1°	WEIGHT -	DRAWING NO C-881003	SCALE 2:1
MATERIAL SEE TABLE	FINISH SEE TABLE	Customer Drawing	SHEET 1 OF 1	REV C

WIRE RANGE 6,0-10,0mm ²	INSUL. RANGE Ø 4,6-6,6mm
---------------------------------------	-----------------------------