

DO NOT SCALE

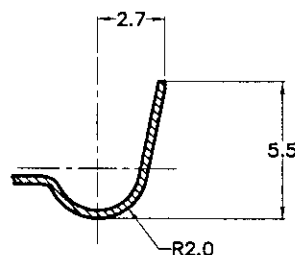
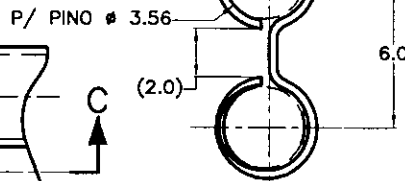
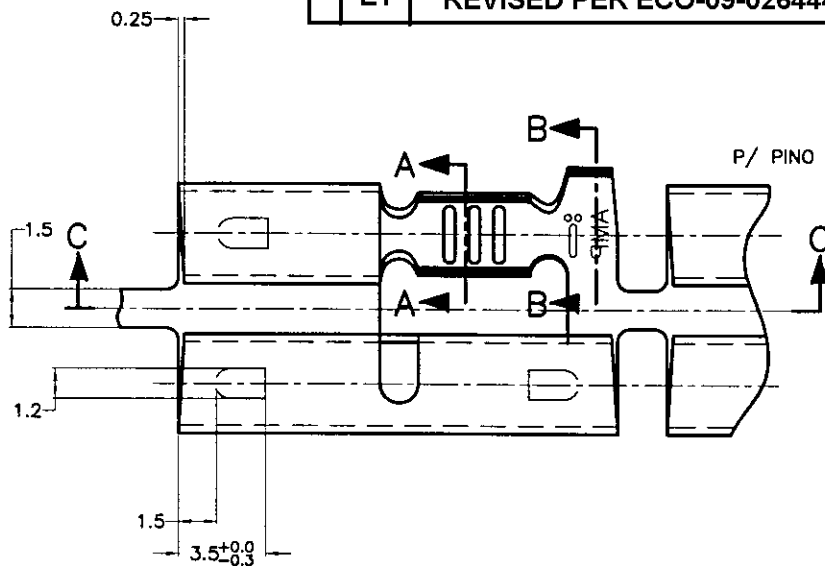
LOC AP

DIST -

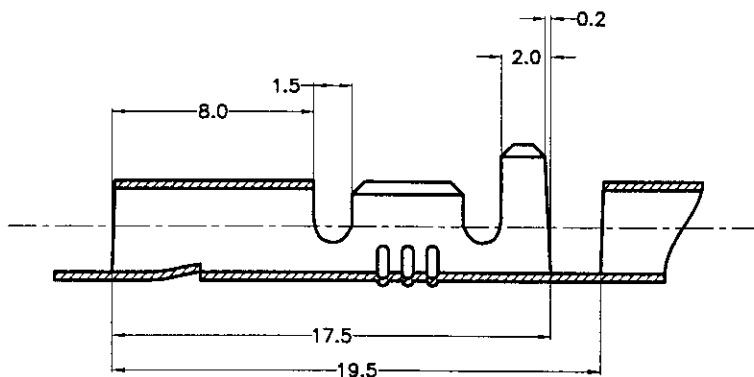
REVISIONS

P	LTR	DESCRIPTION	DATE	DWN	APVD
A		WAS P77-29159	10MAR83	GM	-/-
B		REVISED	20APR83	GM	TAV
C		ADED NOTES 1 AND 2	23JUN83	GM	JM
D		ADED DASH 2	02JUN89	PLF	-/-
E		REDRAWN WITH CHANGES BY ECLB 0329-99	25 OCT 99	HL	PLEZ
E1		REVISED PER ECO-09-026444	27NOV09	KK	AEG

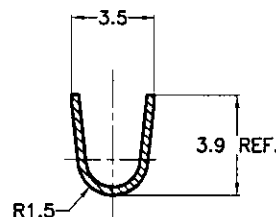
CAD  
AutoCAD  
DO NOT REVISE EXCEPT BY CAD



SECTION B-B



SECTION C-C



SECTION A-A

- 1 - FORÇA DE INSERÇÃO - 6.0 KG. MAX
- 2 - FORÇA DE EXTRAÇÃO - DE 1.5kg A 7.0 kg

3 OBSOLETE PARTS: OBSOLETE CIS STREAMLINING PER D.RENAUD/D.SINISI

3 OBSOLETE

INS. DIA. RANGE	WIRE RANGE	ESTANHADO/TIN PLATED	LATÃO/BRASS	-880141-2
ø 2.0-3.5mm	> 1.0-2.5 mm <sup>2</sup>	---	LATÃO/BRASS	880141-1
		FINISH	MATERIAL	PART NUMBER

DIMENSIONS: MM

DWN H.LIVERARO 15OCT99

MATERIAL SEE TABLE FINISH SEE TABLE

TOLERANCES UNLESS OTHERWISE SPECIFIED:

- 0 PLC ± -
- 1 PLC ± 0.5
- 2 PLC ±
- 3 PLC ± -
- 4 PLC ± -
- ANGLES ± 1°

CHK 25-OCT-99 P.L.FARIA  
APVD 08-Nov-99 J.M.M.NETO

**AMP** AMP do BRASIL Ltda.  
São Paulo - Brasil

PRODUCT SPEC -

NAME 3 WAY SHUR PLUG RECEPT.

APPLICATION SPEC -

SIZE	CAGE CODE	DRAWING NO	RESTRICTED TO
A4	00779	C-880141	-

WEIGHT -

CUSTOMER DRAWING

SCALE 1:1 SHEET 1 OF 1 REV E1

RELEASED FOR PUBLICATION 1996.

THIS DRAWING IS UNPUBLISHED.

ALL RIGHTS RESERVED. BY AMP INCORPORATED.

COPYRIGHT 19

ORIGINAL