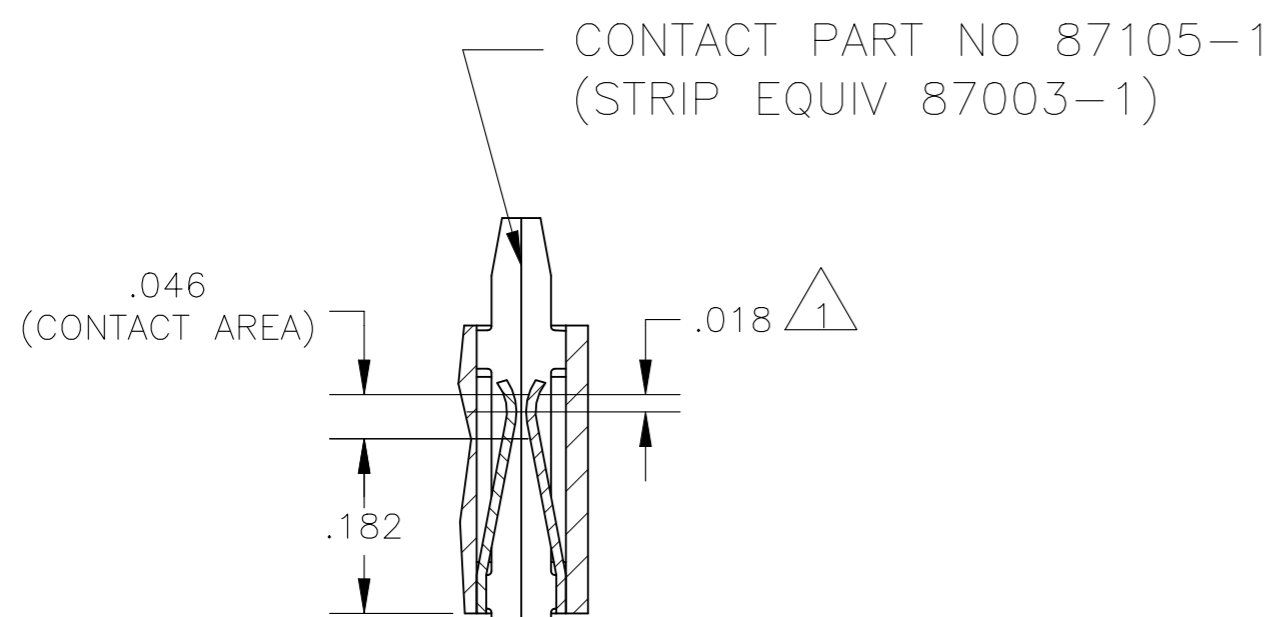
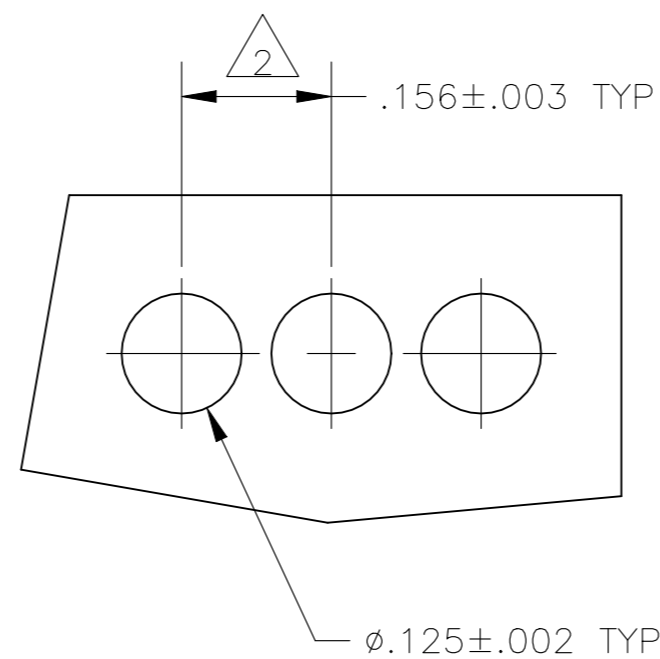


REVISIONS				
P	LTR	DESCRIPTION	DATE	DWN APVD
L		RESIN SUPPLIER CHANGE FOR THE HOUSING	10MAY2022	SCB PS

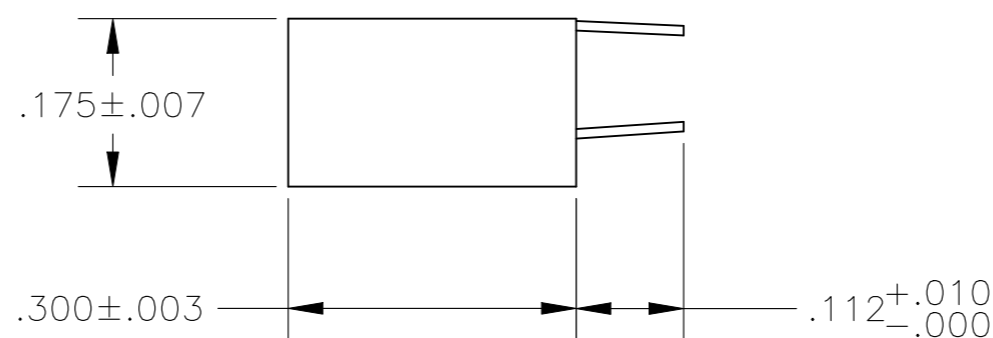
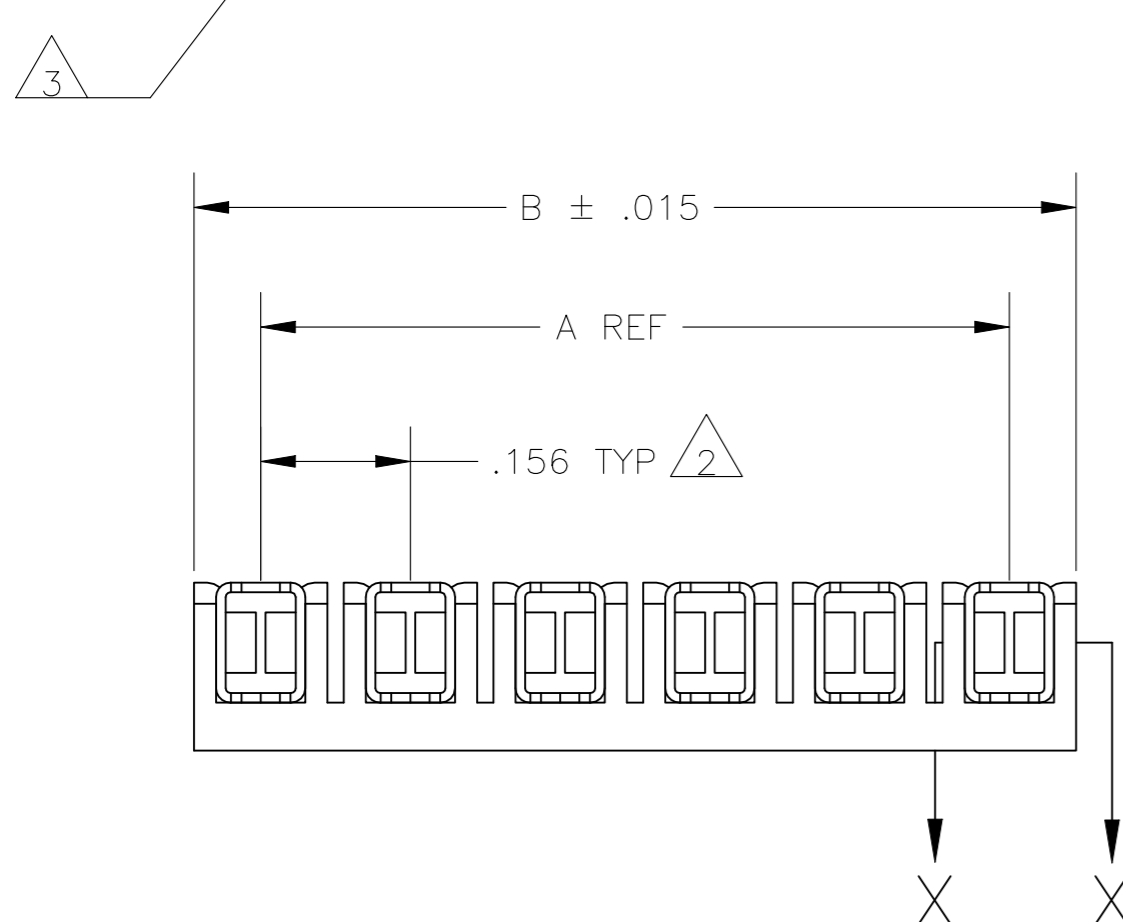
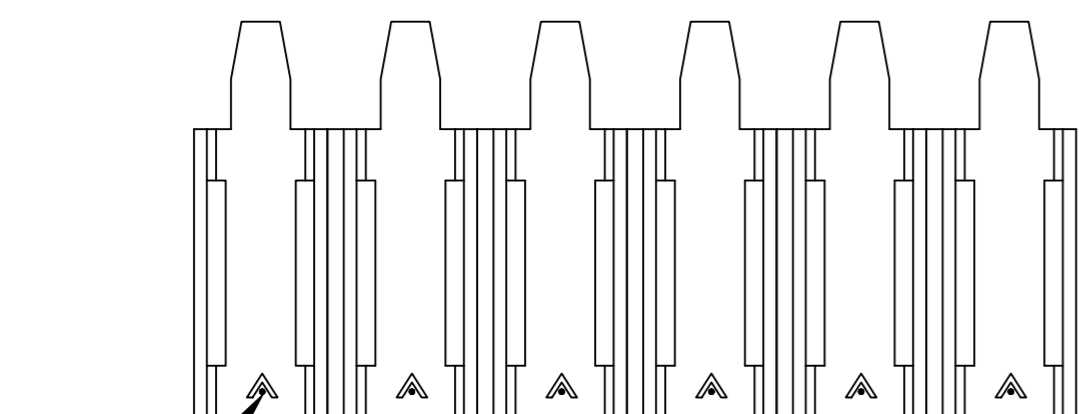


SECTION X-X



RECOMMENDED BOARD MOUNTING  
(RECOMMENDED BOARD THICKNESS: .055-.070)

- △1 POINT OF MEASUREMENT FOR PLATING THICKNESS (INSIDE OF BEAMS).
- △2 TOLERANCE NON-CUMULATIVE.
- △3 THE MATING END OF THE CONTACT IS IDENTIFIED BY THE LETTER "A" STAMPED ON THE RECEPTACLE BOX.
- △4 OBSOLETE PARTS: OBSOLETE CIS STREAMLINING PER D.RENAUD/D.SINISI



OBSOLETE △4	3.120	2.964	20	<del>2-87986-0</del>
	2.964	2.808	19	<del>1-87986-9</del>
	2.808	2.652	18	<del>1-87986-8</del>
	2.652	2.496	17	<del>1-87986-7</del>
	2.496	2.340	16	<del>1-87986-6</del>
	2.340	2.184	15	<del>1-87986-5</del>
	2.184	2.028	14	1-87986-4
△4 OBSOLETE	2.028	1.872	13	<del>1-87986-3</del>
	1.872	1.716	12	1-87986-2
△4 OBSOLETE	1.716	1.560	11	<del>1-87986-1</del>
	1.560	1.404	10	1-87986-0
OBSOLETE △4	1.404	1.248	9	<del>87986-9</del>
	1.248	1.092	8	<del>87986-8</del>
	1.092	.936	7	87986-7
	.936	.780	6	87986-6
	.780	.624	5	87986-5
	.624	.468	4	87986-4
△4 OBSOLETE	.468	.312	3	<del>87986-3</del>
	.312	.156	2	87986-2
	B	A	NO OF POSN	ASSEMBLY PART NUMBER

THIS DRAWING IS A CONTROLLED DOCUMENT.		DWN	L D RINGLEY	17MAR86		TE Connectivity				
DIMENSIONS: INCHES		CHK	P deJONG	18MAR86		NAME				
TOLERANCES UNLESS OTHERWISE SPECIFIED:		APVD	P deJONG	18MAR86		ASSY, MOD I, BOARD MOUNT RECP, .156 CL, STD PRESSURE, TYPE B, FOR ROUND HOLE MOUNTING				
0 PLC ± - 1 PLC ± - 2 PLC ± - 3 PLC ± .005 4 PLC ± - ANGLES ± -		PRODUCT SPEC	108-25,016			SIZE	CAGE CODE	DRAWING NO		
MATERIAL: HOUSING - FLAME RETARDANT THERMOPLASTIC, COLOR - BLACK; CONTACTS - PHOS BRONZE		FINISH	.000030 GOLD IN THE CONTACT AREA, GOLD FLASH ON THE REMAINDER, ALL OVER .000050 NICKEL		APPLICATION SPEC	114-25,004				
		WEIGHT	-		RESTRICTED TO	-				
		CUSTOMER DRAWING		SCALE	5:1		SHEET	1 OF 1	REV	L