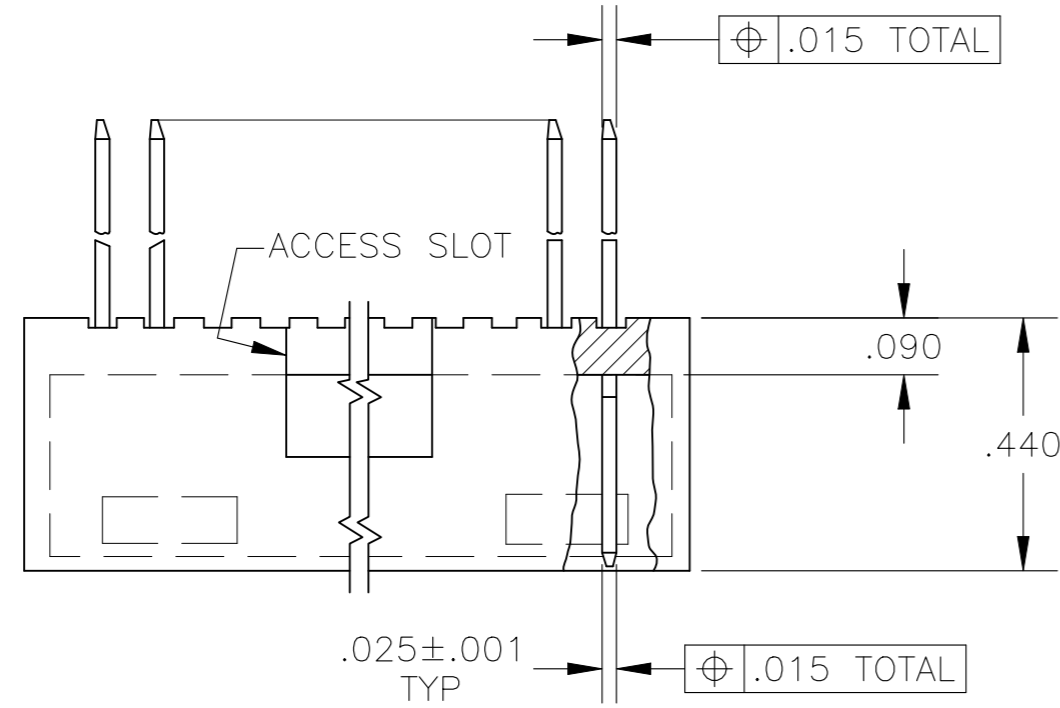
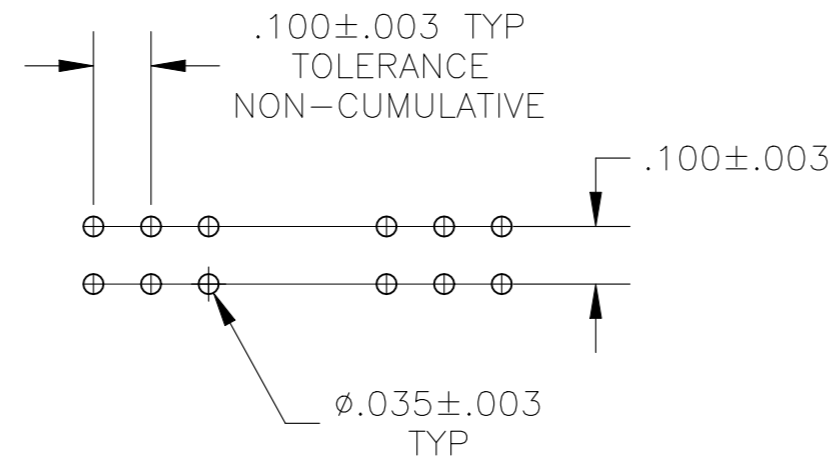
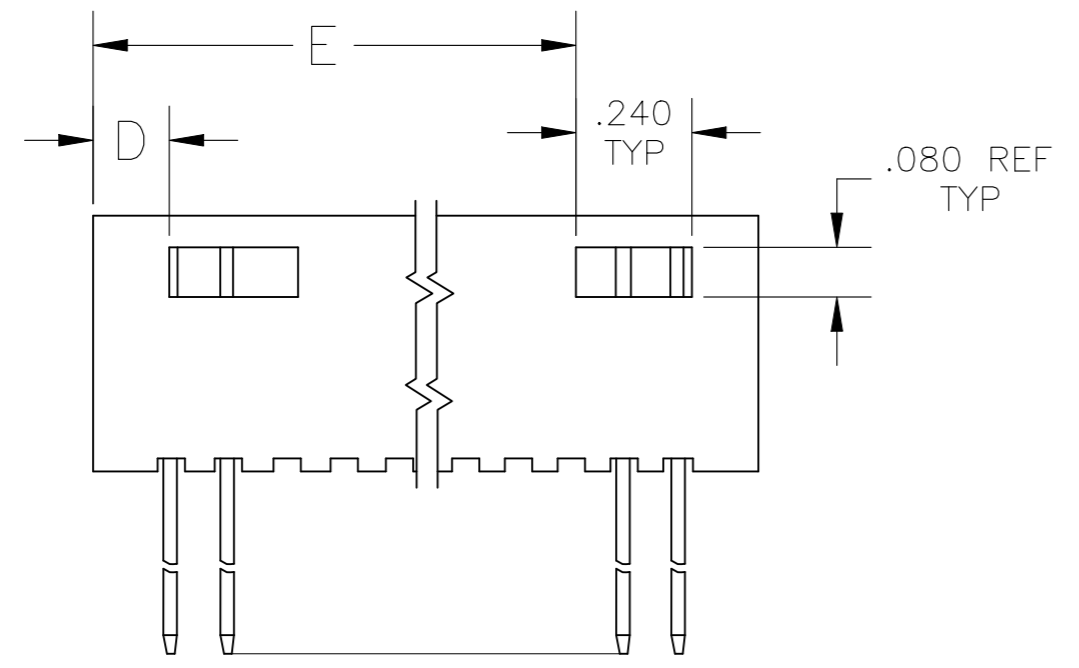
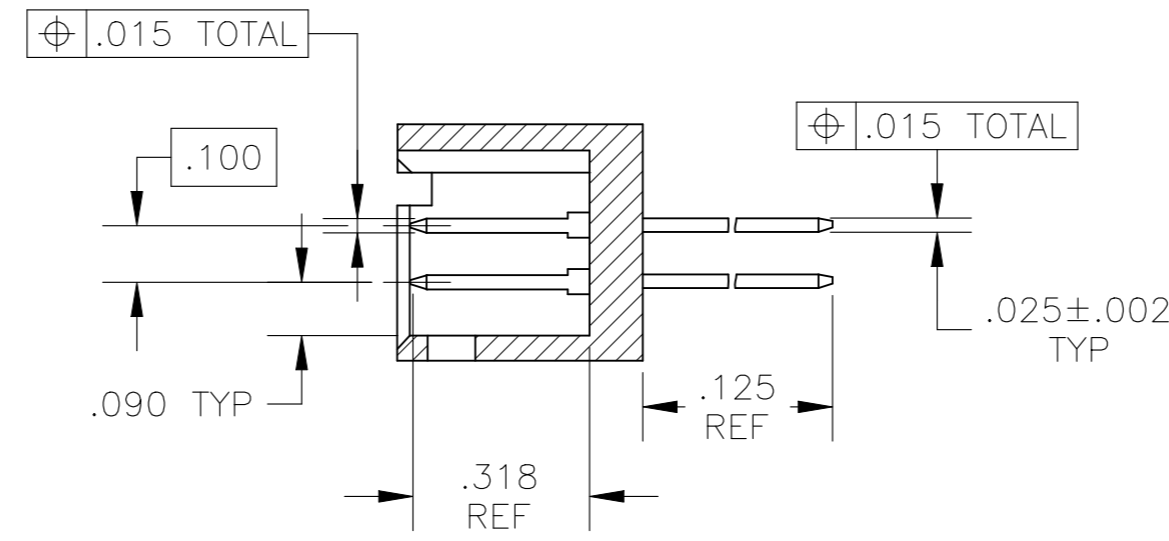
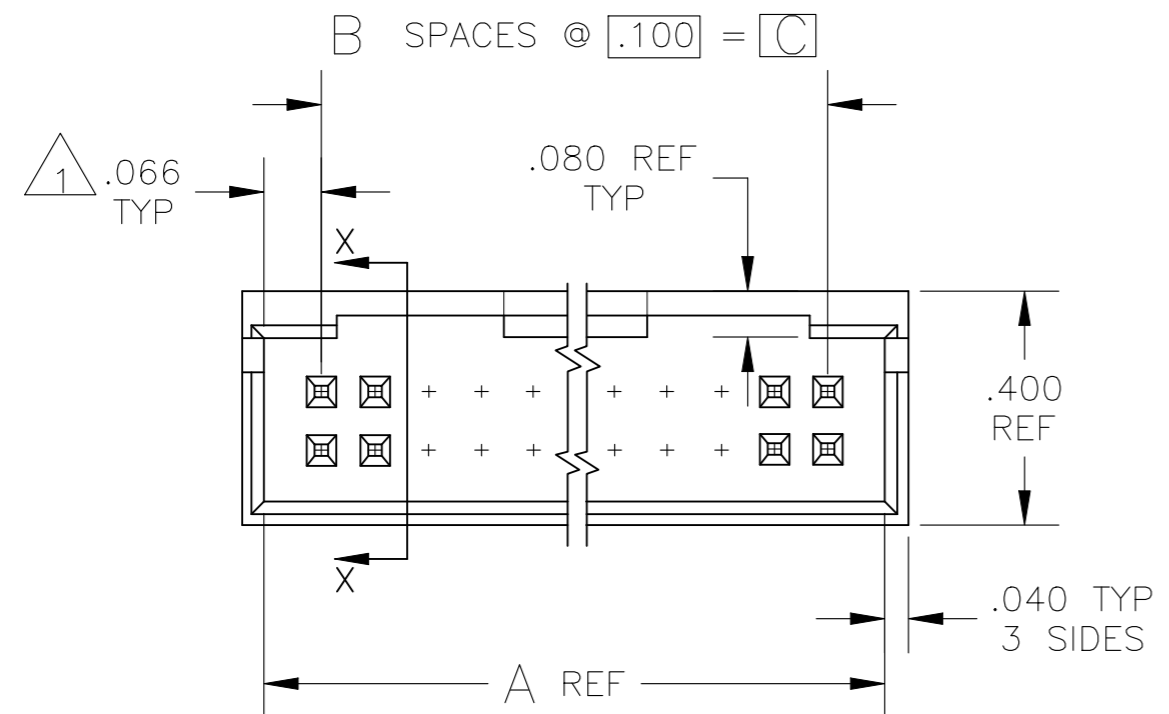


REVISIONS					
P	LTR	DESCRIPTION	DATE	DWN	APVD
R5		REVISED PER ECN-23-225110	23JAN2023	RK	MF



NOTES

- 1 WILL ALSO MATE W/OTHER CONNECTORS WHICH ARE COMPATIBLE WITH THE  $.006$  END DIM.
- 2 OBSOLETE PART NUMBER.
- 3  $.000100$ -. $.000200$  BRIGHT TIN-LEAD OVER  $.000050$  NICKEL
- 4  $.000100$ -. $.000200$  BRIGHT TIN OVER  $.000050$ -. $.000100$  NICKEL
- 5 PRELIMINARY PART.
- 6  $.000100$ -. $.000200$  MATTE TIN OVER  $.000050$ -. $.000100$  NICKEL
- 7 OBSOLETE PARTS: OBSOLETE CIS STREAMLINING PER D.RENAUD/D.SINISI



THIS DRAWING IS A CONTROLLED DOCUMENT.		DWN	12 SEP 75	 TE Connectivity Ltd.																		
DIMENSIONS: INCHES		CHK	12 SEP 75																			
TOLERANCES UNLESS OTHERWISE SPECIFIED:		APVD	15 SEP 75																			
<table border="1"> <tr><td>0 PLC</td><td><math>\pm</math></td><td>-</td></tr> <tr><td>1 PLC</td><td><math>\pm</math></td><td>-</td></tr> <tr><td>2 PLC</td><td><math>\pm</math></td><td>-</td></tr> <tr><td>3 PLC</td><td><math>\pm</math></td><td><math>.005</math></td></tr> <tr><td>4 PLC</td><td><math>\pm</math></td><td>-</td></tr> <tr><td>ANGLES</td><td><math>\pm</math></td><td>-</td></tr> </table>		0 PLC	$\pm$	-	1 PLC	$\pm$	-	2 PLC	$\pm$	-	3 PLC	$\pm$	$.005$	4 PLC	$\pm$	-	ANGLES	$\pm$	-	PRODUCT SPEC		NAME
0 PLC	$\pm$	-																				
1 PLC	$\pm$	-																				
2 PLC	$\pm$	-																				
3 PLC	$\pm$	$.005$																				
4 PLC	$\pm$	-																				
ANGLES	$\pm$	-																				
MATERIAL: HSG: LCP, COLOR: BLACK, CONTACT: PHOS BRONZE		FINISH: SEE TABLE		APPLICATION SPEC																		
FINISH: SEE TABLE		WEIGHT: -		SIZE: A2																		
RECOMMENDED HOLE LAYOUT		CUSTOMER DRAWING		CAGE CODE: 00779																		
		SCALE: 3:1		DRAWING NO: C=87589																		
		SHEET: 1 OF 2		RESTRICTED TO: -																		
		REV: R5																				

REVISIONS

P	LTR	DESCRIPTION	DATE	DWN	APVD
-	-	SEE SHEET 1	-	-	-

FINISH	E	D	C	B	A	NO OF POSN.	PART NO.
-	.106	.200	2	.332	6	8-87589-6	
-	.106	.300	3	.432	8	8-87589-5	
3.506	.106	3.600	36	3.732	74	8-87589-3	
3.406	.106	3.500	35	3.632	72	8-87589-2	
3.306	.106	3.400	34	3.532	70	8-87589-1	
3.206	.106	3.300	33	3.432	68	8-87589-0	
3.106	.106	3.200	32	3.332	66	7-87589-9	
3.006	.106	3.100	31	3.232	64	7-87589-8	
2.906	.106	3.000	30	3.132	62	7-87589-7	
2.806	.106	2.900	29	3.032	60	7-87589-6	
2.706	.106	2.800	28	2.932	58	7-87589-5	
2.606	.106	2.700	27	2.832	56	7-87589-4	
2.506	.106	2.600	26	2.732	54	7-87589-3	
2.406	.106	2.500	25	2.632	52	7-87589-2	
2.306	.106	2.400	24	2.532	50	7-87589-1	
2.206	.106	2.300	23	2.432	48	7-87589-0	
2.106	.106	2.200	22	2.332	46	6-87589-9	
2.006	.106	2.100	21	2.232	44	6-87589-8	
1.906	.106	2.000	20	2.132	42	6-87589-7	
1.806	.106	1.900	19	2.032	40	6-87589-6	
1.706	.106	1.800	18	1.932	38	6-87589-5	
1.606	.106	1.700	17	1.832	36	6-87589-4	
1.506	.106	1.600	16	1.732	34	6-87589-3	
1.406	.106	1.500	15	1.632	32	6-87589-2	
1.306	.106	1.400	14	1.532	30	6-87589-1	
1.206	.106	1.300	13	1.432	28	6-87589-0	
1.106	.106	1.200	12	1.332	26	5-87589-9	
1.006	.106	1.100	11	1.232	24	5-87589-8	
.906	.106	1.000	10	1.132	22	5-87589-7	
.806	.106	.900	9	1.032	20	5-87589-6	
-	.406	.800	8	.932	18	5-87589-5	
-	.306	.700	7	.832	16	5-87589-4	
-	.306	.600	6	.732	14	5-87589-3	
-	.206	.500	5	.632	12	5-87589-2	
-	.206	.400	4	.532	10	5-87589-1	

FINISH	E	D	C	B	A	NO OF POSN.	PART NO.	
5	4	1.306	.106	1.400	14	1.532	30	3-87589-9
4	4	-	.406	.800	8	.932	18	3-87589-8
4	4	-	.306	.700	7	.832	16	3-87589-7
-	-	.106	.200	2	.332	6	3-87589-6	
-	-	.106	.300	3	.432	8	3-87589-5	
3.506	.106	3.600	36	3.732	74	3-87589-3		
3.406	.106	3.500	35	3.632	72	3-87589-2		
3.306	.106	3.400	34	3.532	70	3-87589-1		
3.206	.106	3.300	33	3.432	68	3-87589-0		
3.106	.106	3.200	32	3.332	66	2-87589-9		
3.006	.106	3.100	31	3.232	64	2-87589-8		
2.906	.106	3.000	30	3.132	62	2-87589-7		
2.806	.106	2.900	29	3.032	60	2-87589-6		
2.706	.106	2.800	28	2.932	58	2-87589-5		
2.606	.106	2.700	27	2.832	56	2-87589-4		
2.506	.106	2.600	26	2.732	54	2-87589-3		
2.406	.106	2.500	25	2.632	52	2-87589-2		
2.306	.106	2.400	24	2.532	50	2-87589-1		
2.206	.106	2.300	23	2.432	48	2-87589-0		
2.106	.106	2.200	22	2.332	46	1-87589-9		
2.006	.106	2.100	21	2.232	44	1-87589-8		
1.906	.106	2.000	20	2.132	42	1-87589-7		
1.806	.106	1.900	19	2.032	40	1-87589-6		
1.706	.106	1.800	18	1.932	38	1-87589-5		
1.606	.106	1.700	17	1.832	36	1-87589-4		
1.506	.106	1.600	16	1.732	34	1-87589-3		
1.406	.106	1.500	15	1.632	32	1-87589-2		
1.306	.106	1.400	14	1.532	30	1-87589-1		
1.206	.106	1.300	13	1.432	28	1-87589-0		
1.106	.106	1.200	12	1.332	26	87589-9		
1.006	.106	1.100	11	1.232	24	87589-8		
.906	.106	1.000	10	1.132	22	87589-7		
.806	.106	.900	9	1.032	20	87589-6		
-	.406	.800	8	.932	18	87589-5		
-	.306	.700	7	.832	16	87589-4		
-	.306	.600	6	.732	14	87589-3		
-	.206	.500	5	.632	12	87589-2		
-	.206	.400	4	.532	10	87589-1		

7 OBSOLETE

7 OBSOLETE

7 OBSOLETE

7 OBSOLETE

7 OBSOLETE

7 OBSOLETE

7 OBSOLETE

7 OBSOLETE

7 OBSOLETE

SUPERCEDED BY 6-87589-4

7 OBSOLETE

7 OBSOLETE

7 OBSOLETE

3

THIS DRAWING IS A CONTROLLED DOCUMENT.

DWN 12 SEP 75  
CHK 12 SEP 75  
APVD 15 SEP 75

TE Connectivity Ltd.

NAME: HEADER ASSEMBLY MOD II, .100 C/L .025 SQUARE POST, WITH DETENT

SIZE: A2 CAGE CODE: 00779 DRAWING NO: 87589

MATERIAL: HSG: LCP COLOR: BLACK CONTACT: PHOS BRONZE FINISH: SEE TABLE WEIGHT: -

CUSTOMER DRAWING SCALE: 1:1 SHEET: 2 OF 2 REV: R5