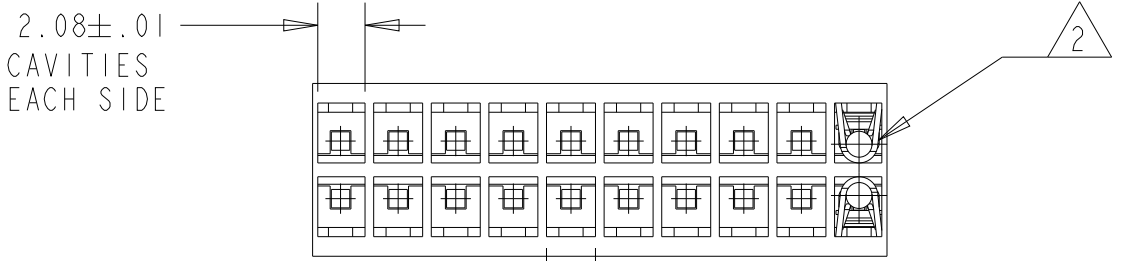


© copyright_date

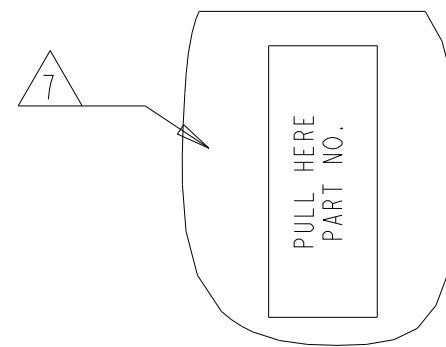
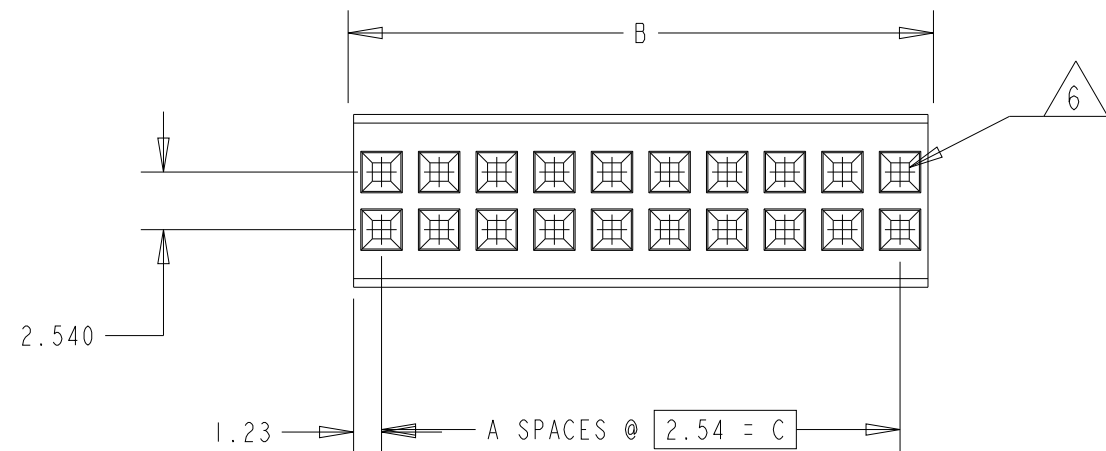
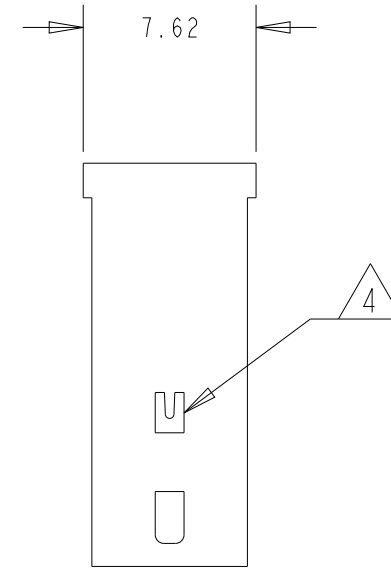
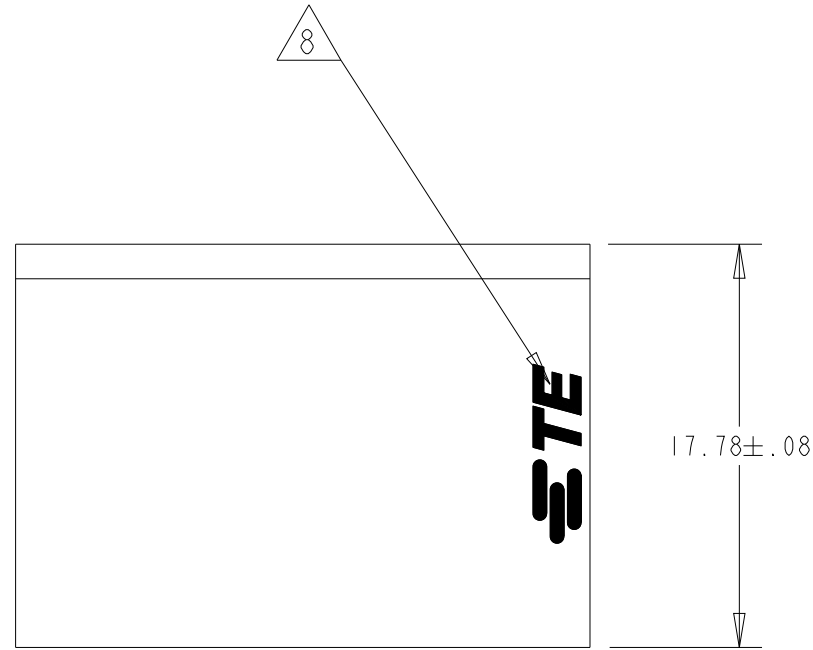
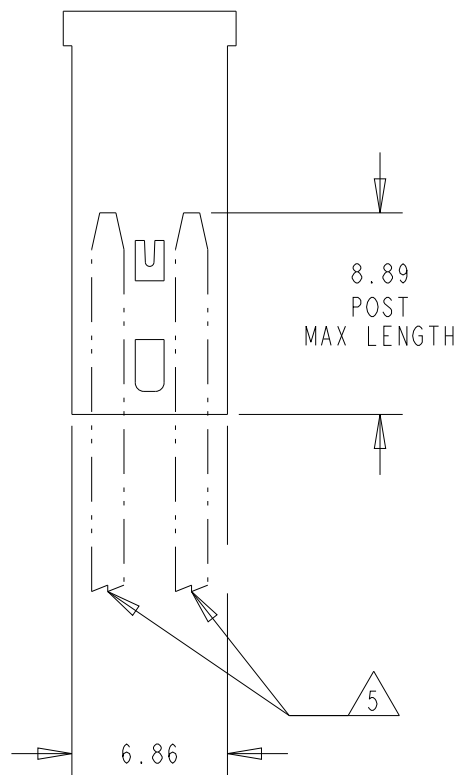
REVISIONS					
P	LTR	DESCRIPTION	DATE	DWN	APVD
R		REVISED PER ECO-18-000976	17MAY2018	RS	JO
RI		REVISED PER ECO-19-016615	05NOV2019	RS	JO
S		REVISED PER ECR-22-137476	07SEPT2022	SD	JO
S2		REVISED PER ECN-24-272474	26JUN2024	RK	MF

ONLY AT THE END OF CAVITIES ON EACH SIDE



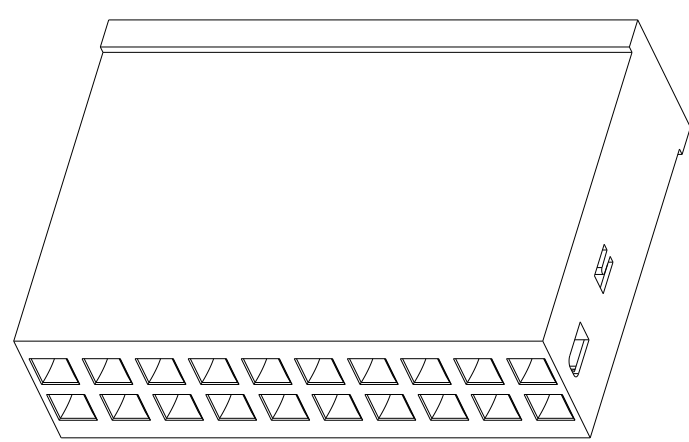
CENTER CAVITIES REMAIN AT 2.16

- PULL ON HOUSING TO REMOVE FROM POSTS. DO NOT CONFINE THE CONDUCTORS OR PULL ON THE CONDUCTORS DURING REMOVAL ACTION.
- ACCEPTS CONTACT P/N 87124.
- EXTRACTION SLOT MAY BE PARTIALLY FLASHED OVER ONE END ONLY.
- 0.62 SQUARE POST SHOWN FOR REFERENCE ONLY.
- CAVITY ACCEPTS 0.62 SQUARE POST (TYPICAL).
- MARKED AS SHOWN IN APPROXIMATE CENTER OF HOUSING. 'PULL HERE' AND 'PART NO.' WILL APPEAR ON HOUSINGS 6 POSITIONS AND LARGER.
- TE LOGO MOLDED. AREA RAISED 0.0076 - 0.0178 HIGH AND MAY BE ON EITHER SIDE OF THE PART.

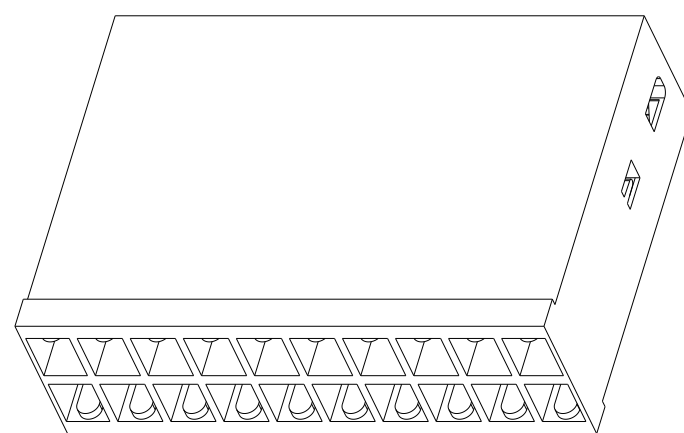


REMARKS	C	A	B	NO. OF POSITION	PART NUMBER
STAMPED	15.73	6	18.19	14	1-87133-8
UNSTAMPED	15.73	6	18.19	14	1-87133-7
STAMPED	20.32	8	23.78	18	1-87133-6
UNSTAMPED	20.32	8	23.78	18	1-87133-5
STAMPED	17.78	7	20.24	16	1-87133-4
UNSTAMPED	17.78	7	20.24	16	1-87133-3
STAMPED	12.70	5	15.16	12	1-87133-2
UNSTAMPED	12.70	5	15.16	12	1-87133-1
STAMPED	7.62	3	10.08	8	1-87133-0
UNSTAMPED	7.62	3	10.08	8	87133-9
STAMPED	5.08	2	7.54	6	87133-8
UNSTAMPED	5.08	2	7.54	6	87133-7
STAMPED	22.86	9	25.32	20	87133-6
STAMPED	10.16	4	12.62	10	87133-5
STAMPED	2.54	1	5.00	4	87133-4
UNSTAMPED	22.86	9	25.32	20	87133-3
UNSTAMPED	10.16	4	12.62	10	87133-2
UNSTAMPED	2.54	1	5.00	4	87133-1

ISOMETRIC VIEW



FRONT

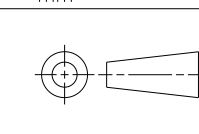


BACK

THIS DRAWING IS A CONTROLLED DOCUMENT.

DIMENSIONS: mm

TOLERANCES UNLESS OTHERWISE SPECIFIED:



0 PLC	±
1 PLC	±.13
2 PLC	±.13
3 PLC	±.13
4 PLC	±.13
ANGLES	±
FINISH	-

MATERIAL: GLASS FILLED THERMO PLASTIC

DWN: R BROWN 27OCT2006
 CHK: M MILLER 27OCT2006
 APVD: M MILLER 27OCT2006
 PRODUCT SPEC: -
 APPLICATION SPEC: -
 WEIGHT: -



HOUSING, LOCKING CLIP, 0.64 SOR POST 2.54 CL, CLOSED END

SIZE: A2	CAGE CODE: 0079	DRAWING NO: C-87133	RESTRICTED TO: -
CUSTOMER DRAWING			SCALE: 3:1
SHEET 1 OF 1		REV S2	