

4

3

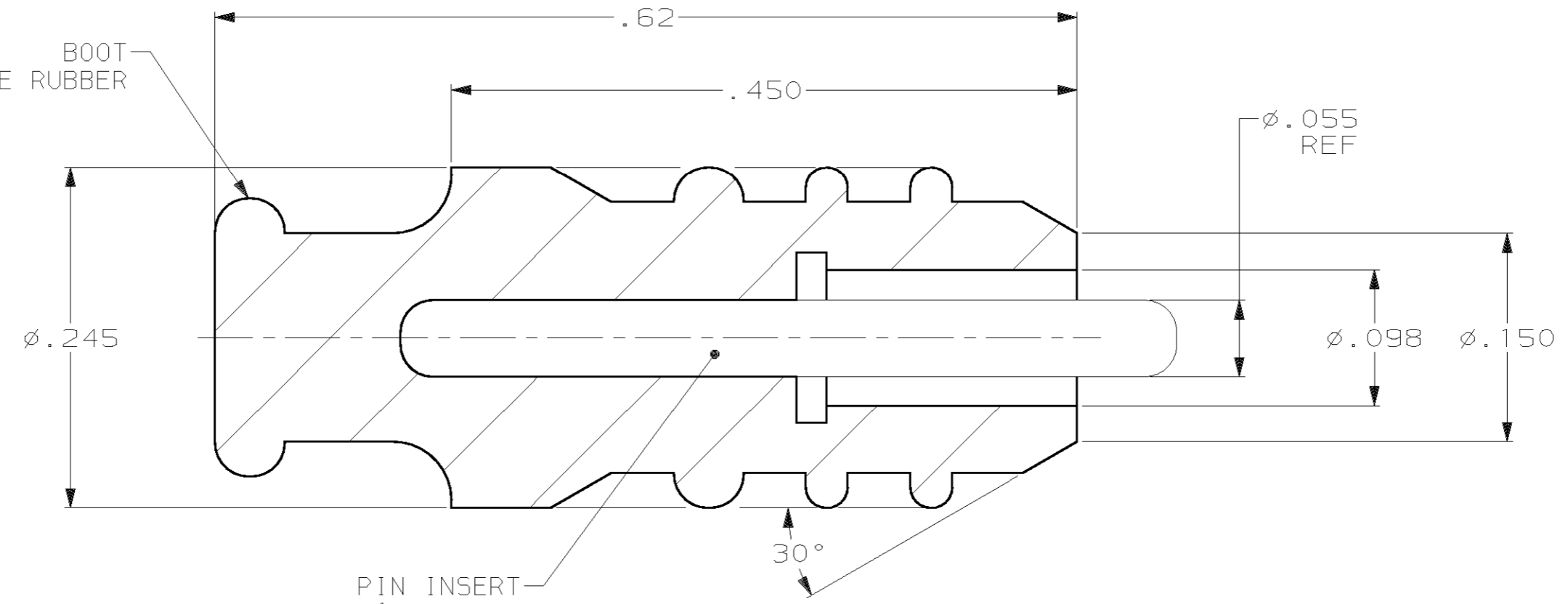
2

1

THIS DRAWING IS UNPUBLISHED. RELEASED FOR PUBLICATION, 19 .
 © COPYRIGHT 19 BY AMP INCORPORATED. ALL RIGHTS RESERVED.

LOC	DIST	REVISIONS			
P	LTR	DESCRIPTION	DATE	DWN	APVD
DF	50	C	REV & REDRAWN PER 0G3D-0119-01	3-01	CT DE

MAT'L: SILICONE RUBBER
 BOOT



PIN INSERT
 MAT'L: BRASS
 FINISH: NICKEL PLATED

1. FOR USE WITH 16-16 CONTACTS ONLY.

864436-1
 PART NO.

THIS DRAWING IS A CONTROLLED DOCUMENT.		DWN C.C. THOMAS 3-8-01	AMP Incorporated Harrisburg, PA 17105-3608	
DIMENSIONS: INCHES		CHK D. EABY 3-8-01		
TOLERANCES UNLESS OTHERWISE SPECIFIED:		APVD D. EABY 3-8-01	NAME SEALING PLUG KIT FOR 16-16 CONTACTS, LGH	
0 PLC ±- 1 PLC ±- 2 PLC ±.02 3 PLC ±.005 4 PLC ±- ANGLES ±1°		PRODUCT SPEC -	SIZE A3	
MATERIAL SEE CALLOUTS		APPLICATION SPEC -	CAGE CODE 00779	DRAWING NO C-864436
FINISH SEE CALLOUTS		WEIGHT -	RESTRICTED TO -	
		CUSTOMER DRAWING		SCALE 10:1
				SHEET 1 OF 1
				REV C