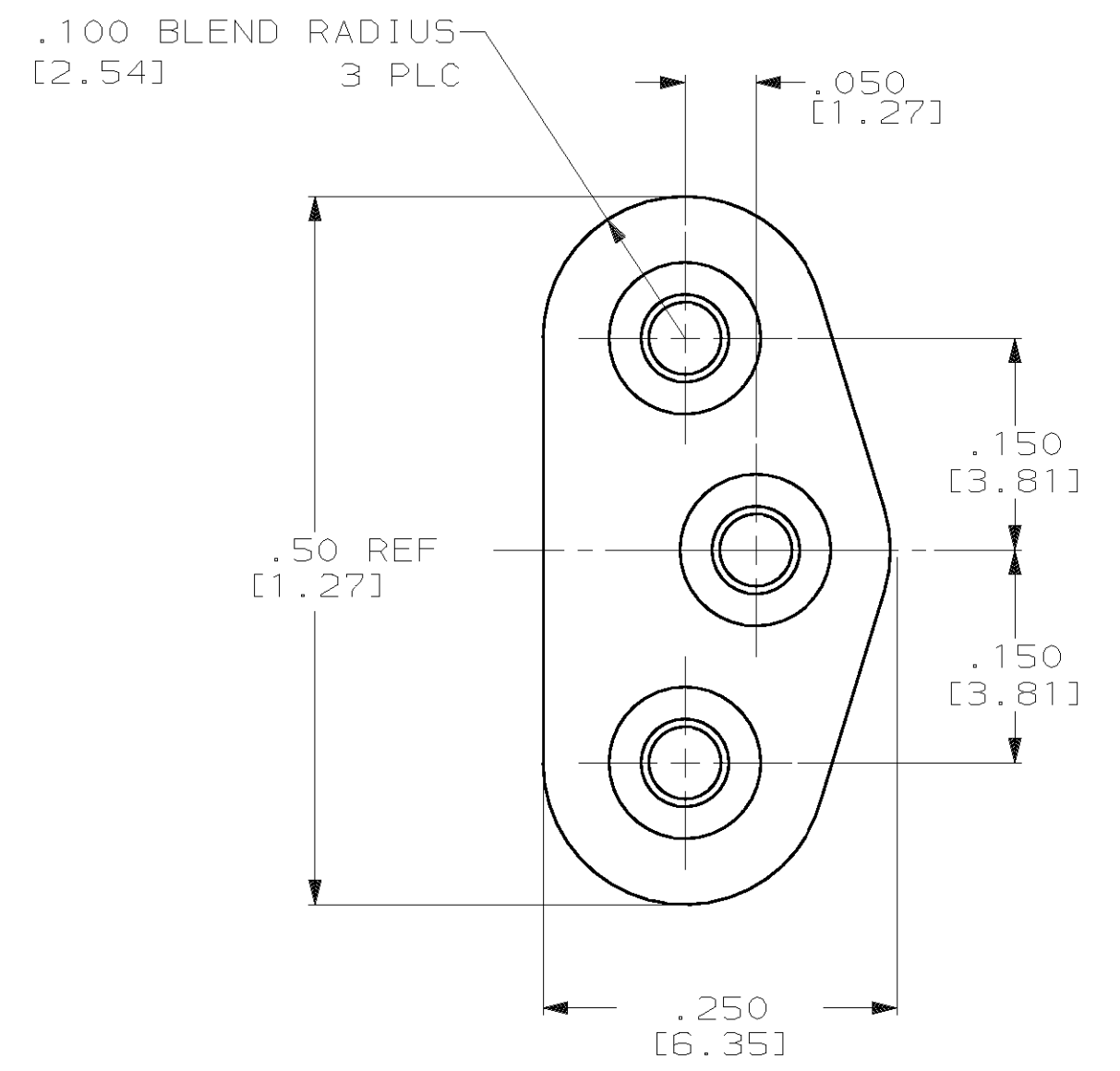
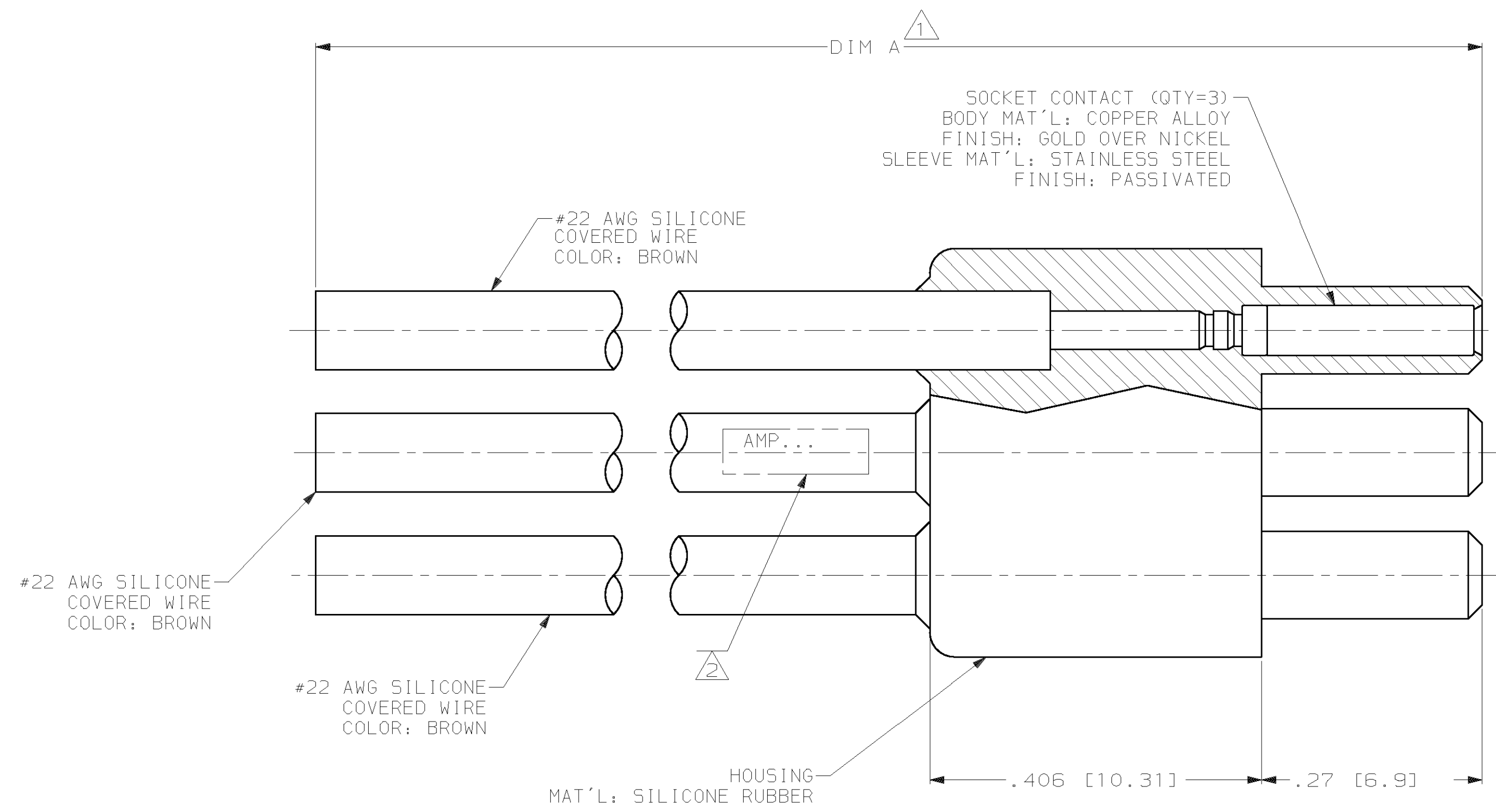


THIS DRAWING IS UNPUBLISHED. RELEASED FOR PUBLICATION .19  
 © COPYRIGHT 19 BY AMP INCORPORATED. ALL RIGHTS RESERVED.

LOC		DIST		REVISIONS			
P	LTR	DESCRIPTION		DATE	DWN	APVD	
	E	REV & REDRAWN; 0600-7141-98		1-99	CT	DE	
	F	REV PER 0600-8403-99		1-00	JEB	DE	



<sup>1</sup> TOLERANCE: UP TO 24.00 [609.6] ±.12 [3.0]  
 24.00 [609.6] AND UP ±1%

<sup>2</sup> AMP INFO MARKED PER MIL-STD-130.

OBSOLETE	48.00 [1219.2]	863743-5
OBSOLETE	18.00 [457.2]	863743-4
	24.00 [609.6]	863743-3
	16.00 [406.4]	863743-2
	12.00 [304.8]	863743-1
	A DIM	PART NO.

THIS DRAWING IS A CONTROLLED DOCUMENT.		DWN C.C.THOMAS 1/26/99	AMP Incorporated Harrisburg, PA 17105-3608	
DIMENSIONS: INCHES [mm]		CHK D.EABY 1/26/99	NAME PLUG, LGH, 3 POSN., MICRO-MIN	
TOLERANCES UNLESS OTHERWISE SPECIFIED:		APVD D.EABY 1/26/99	RESTRICTED TO	
0 PLC ±-		PRODUCT SPEC	SIZE A2	CAGE CODE 00779
1 PLC ±-		APPLICATION SPEC	DRAWING NO C-863743	REV F
2 PLC ±.02 [0.5]		WEIGHT	SCALE 8:1	SHEET 1 OF 1
3 PLC ±.005 [0.13]		CUSTOMER DRAWING		
4 PLC ±-				
ANGLES ±-				
FINISH -				