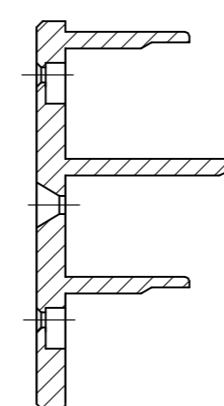
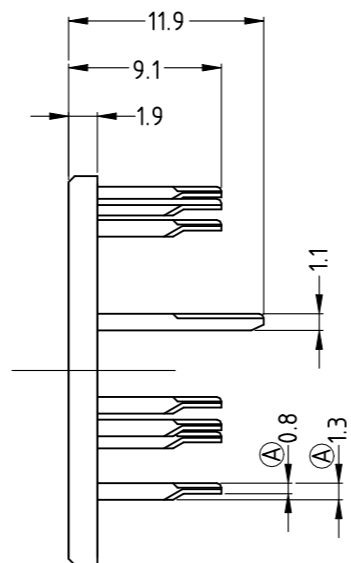
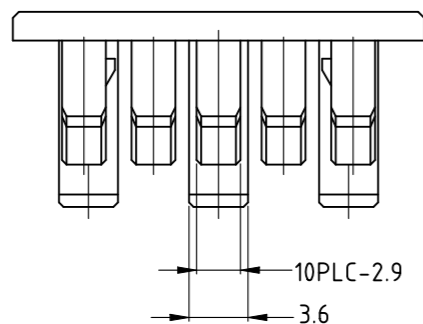
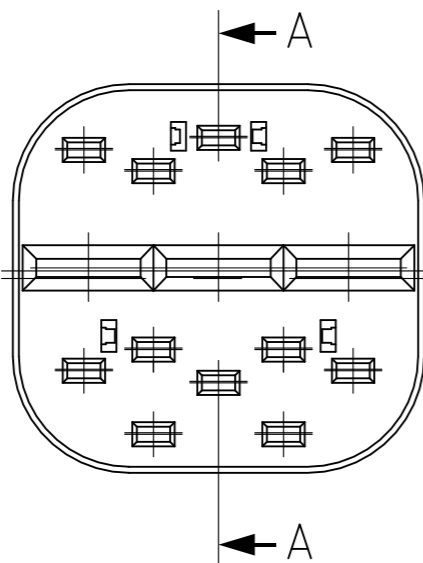
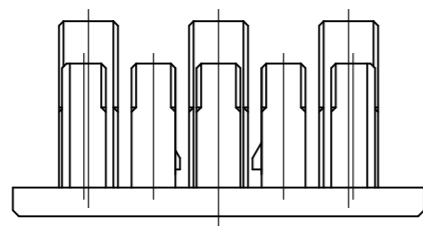
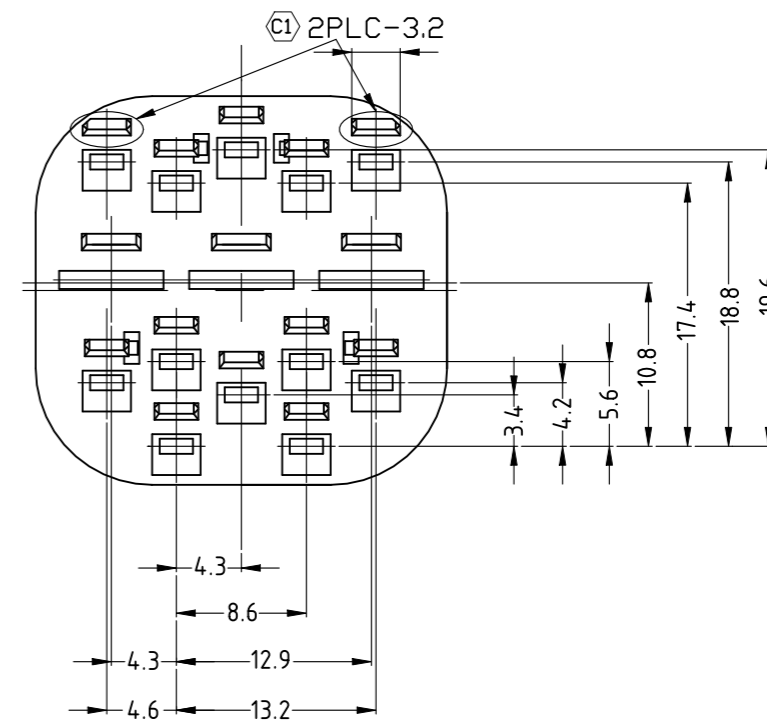


REVISIONS

P	LTR	DESCRIPTION	DATE	DWN	APVD
	C2	REVISED (ECR-22-145053)	06JUL2022	SY	YJ



SECTION A-A
SCALE 2:1



NOTE:
1. TO BE MATED WITH PLUG HOUSING (P/N: 85263, 368300)

NO	PART NO.	DESCRIPTION	COLOR
1	0-085223-1	070 / 250 15P DBL PLATE FOR HSG	YELLOW

THIS DRAWING IS A CONTROLLED DOCUMENT.		DWN JW JUNG	TE Connectivity 070 / 250 15P DBL PLATE FOR HSG ECONOSEAL J-MARKII+ CONN.				
DIMENSIONS: mm		CHK BM JANG				NAME	
TOLERANCES UNLESS OTHERWISE SPECIFIED: ± 0.25		APVD CS LEE				PRODUCT SPEC	
0 PLC ± - 1 PLC ± - 2 PLC ± - 3 PLC ± - 4 PLC ± - ANGLES ± 3°		APPLICATION SPEC				-	
MATERIAL PBT		FINISH -	WEIGHT 0	SIZE A3	CAGE CODE 00779	DRAWING NO C-85223	RESTRICTED TO -
CUSTOMER DRAWING			SCALE 2:1	SHEET 1 OF 1	REV C2		