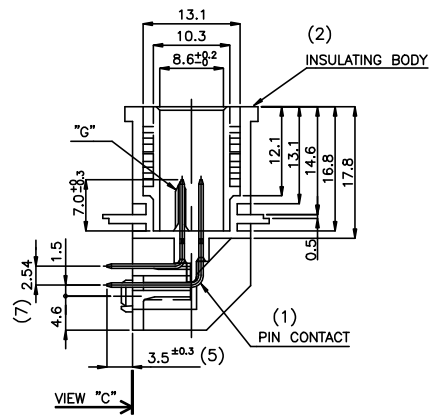
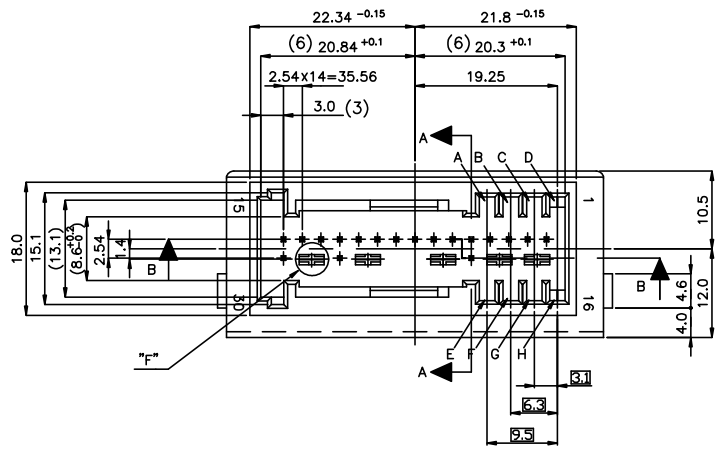


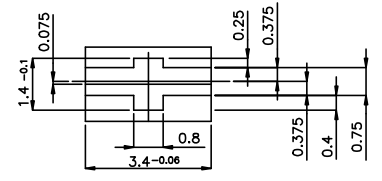
REVISIONS				
P	LTR	DESCRIPTION	DATE	APPD
AB3	REVISED	ECR-23-167182	30MAR2023	SP JJ



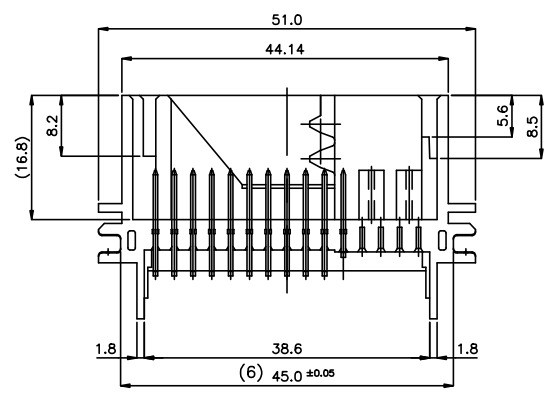
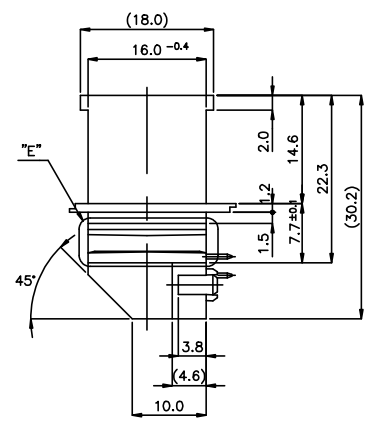
SECTION A - A



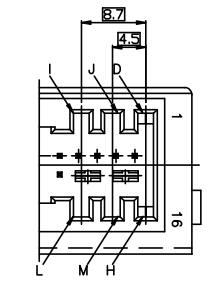
SECTION B - B



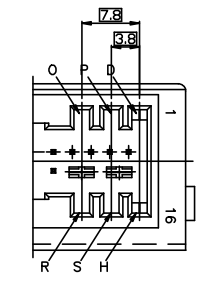
DETAIL "F" (10/1)



SECTION B - B



VIEW CODE "IJLM"

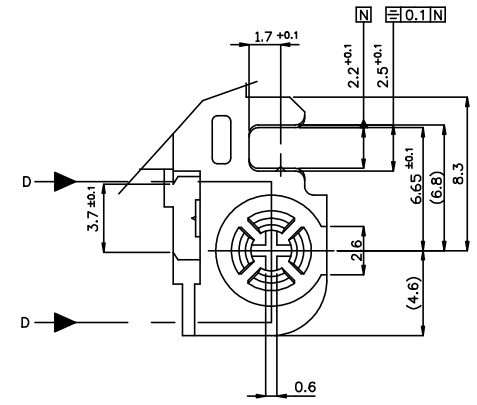


VIEW CODE "OPRS"

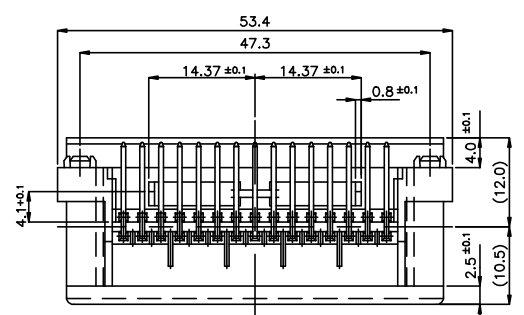
- 주 기 -
- 접속단자 : $\phi 0.63$
 - 원재료 : CuSn6
 - 표면처리 : 접촉부위 $\geq 0.8\mu\text{m Au}$, 하지도금 Ni $3\pm 1\mu\text{m}$
 - 남땨부위 $\geq 1\sim 4\mu\text{m SnPlating}$, 하지도금 $\leq 2\pm 1\mu\text{m Ni}$
 - Tin: $2.0\sim 4.0\mu\text{m Pre-Tin Plated}$, 하지도금 $1.27\sim 2.2\mu\text{m Ni Plating}$
 - 삽입된 방향으로 가해진 힘 < 이탈력 >
 - > 25N bei V=25mm/min, 납땨후
 - > 40N bei V=100mm/min VW-NORM 80101에 의함
 - AMP 규격 108-61007에 따른 환경 요구 사항
 - 전체 18개의 단자로 조립됨
 - KOSHIRI 입이 조립될때의 힘은 < 50N
 - 도면은 D-H 로 작성 됨
 - 단자 조립시 유격이 없을 것
 - 단자 : 카드를 사용을 금지함($\leq 50\text{ ppm}$)
 - 절연체
 - 원재료 : PBT-30GF (VALOX 420-1001)
 - COLOR : 도면 참조
 - 산재료와 재생 재료의 혼합 사용 범위는 25% 이내일 것
 - KOJIRI가 없는 부분에서의 휨은 +0.2 까지 허용 함.
 - 상대물과의 접촉 부위
 - 납땨 부위
 - 치수는 Center Line으로 부위의 측정 요구함.
 - 접속 단자는 $\phi 1.3$ 에 간섭없이 삽입될 것(PC-BOARD LAT OUT 참조)

NOTES

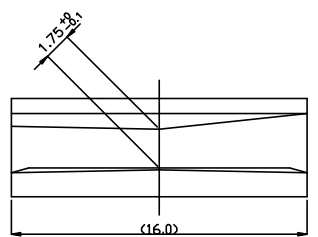
- PIN CONTACT : $\phi 0.63$
 - MATERIAL ; CuSn6
 - FINISH ; MATING AREA ; $> 0.8\mu\text{m AU}$, UNDER $3\pm 1\mu\text{m Ni}$
 - SOLDERING AREA ; $\geq 1\sim 4\mu\text{m SnPlating}$, UNDER $\leq 2\pm 1\mu\text{m Ni}$
 - Tin : $2.0\sim 4.0\mu\text{m Pre-Tin Plated Over } 1.27\sim 2.2\mu\text{m Ni Plating}$
- EJECTING FORCE IN DIRECTION OF CONNECTION (DETECTION AS SEPARATE OPERATION)
 - > 25N bei V=25mm/min, AFTER SOLDERING STRESS
 - > 40N bei V=100mm/min, ACCORDING TO VW-NORM 80101
- ENVIRONMENTAL REQUIREMENTS ACCORDING TO AMP SPEC 108-61007
 - ALL 18 KEYS REALIZEABLE THROUGH INSERTS
 - NO KOSHIRI-EFFECT BY ASSEMBLY FORCE $< 50\text{N}$
 - DRAWING KEY IS (D-H)
 - FREE OF LOOSE METAL PARTS
 - PIN CONNECTOR ; FREE OF CADMIUM($\leq 50\text{ppm}$)
- INSULATING BODY
 - MATERIAL ; PBT-GF30(VALOX 420-1001)
 - COLOR ; CONSULT THE DRAWING
 - ALLOWED RECYCLED MATERIAL MAX 25%
- IN THE AREA OF KOSHIRI FREE SPACE THERE IS UP TO +0.2 PERMISSIBLE
- MATING AREA
- SOLDERING AREA
- MEASURED TO THE CENTER LINE OF THE INSULATING BODY
- CONNECTIONS SUITABLE FOR HOLE DIAMETER 1.3, SEE PC-BOARD LAYOUT



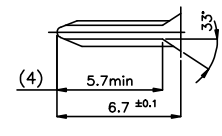
VIEW "C" (5/1)



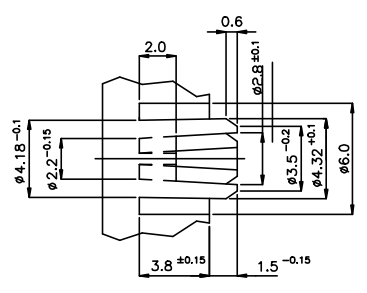
SECTION B - B



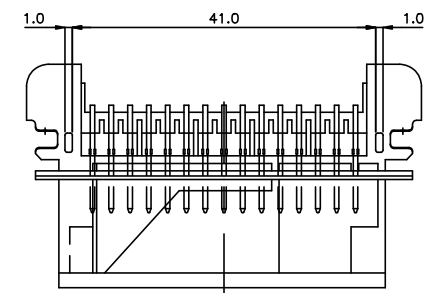
DETAIL "E" (5/1)



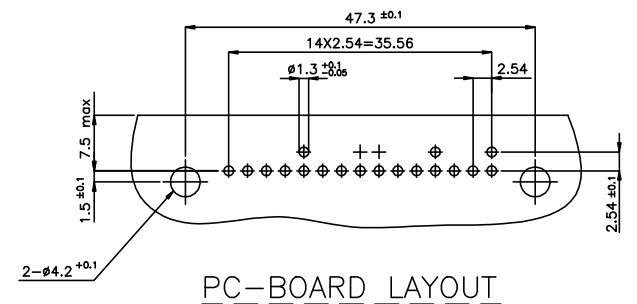
DETAIL "G" (5/1)



SECTION D - D (5/1)



SECTION B - B



PC-BOARD LAYOUT

TOLERANCES UNLESS OTHERWISE SPECIFIED:	
0 <XXX<10	± 0.2
10<XXX<30	± 0.25
30<XXX	± 0.3
ANGLES	± 3°

THIS DRAWING IS A CONTROLLED DOCUMENT.		OWN: SH JIANG	TE Connectivity Ltd.
DIMENSIONS: mm		CHK: KT LIM	AIR BAG 30P HEADER CAP HOUSING ASS'Y
TOLERANCES UNLESS OTHERWISE SPECIFIED:		APPD: HG CHO	PRODUCT SPEC: -
0 <XXX<10 ± 0.2		APPLICATION SPEC: -	RESTRICTED TO: -
10<XXX<30 ± 0.25		WEIGHT: 0	SIZE: A1
30<XXX ± 0.3		CAGE CODE: 00779	DRAWING NO: 85188
ANGLES ± 3°		CUSTOMER DRAWING	SCALE: 1:1
		SHEET: 1 OF 3	REV: AB3

REVISIONS				
P	LTR	DESCRIPTION	DATE	APPD
-	-	SEE SHEET 1	-	-

2-85188-9	K - M	ORANGE BROWN (RAL 8023)		3720101538	ED2(D+P+2PT)
2-85188-8	L - M	WHITE ALUMINIUM (RAL 9006)		3720101537	ED2(D+2PT)
2-85188-7	K - L	GREEN (RAL 6002)		3720101536	RD99(D+P+2PT)
2-85188-6	I - M	CLARET VIOLET (RAL 4004)		E3720101328A	X3(D+P)
2-85188-5	I - L	LUMINOUS ORANGE (RAL 2005)		E3720101327A	X3(D)
2-85188-4	J - N	YELLOW ORANGE (RAL 2000)		3720101535	RD99(D+2PT)
2-85188-3	J - M	TRAFFIC BLUE (RAL 5017)		3720101351	EF(D+P)
2-85188-2	J - L	BASALT GREY (RAL 7012)		E3720101326A	MX(D+P)
2-85188-1	I - N	KHAKI GREY (RAL 7008)		E3720101325A	MX(D)
1-85188-9	I - J	LUMINOUS YELLOW (RAL 1026)		3720101534	EF(D)
1-85188-8	J - K	TURQUOISE GREEN (RAL 6016)		3720101533	DS2(D+P)
1-85188-7	I - K	PASTEL GREEN (RAL 6019)		3720101532	DS2(D)
1-85188-6	A - G	ROSE (RAL 3017)		E6304500 502A	X3(D+P)
1-85188-5	A - G	GRAY WHITE (RAL 9002)		E6304500 501A	X3(D)
1-85188-1	E - G	PINK (RAL 4003)		E6304500 101A	X3(D)
85188-9	C - E	PINK (RAL 4003)		659339.76.54	
85188-8	A - D	LIGHT GRAY (RAL 7035)		659339.76.59	
85188-7	A - D	LIGHT GRAY (RAL 7035)		E6304500 900A	M2
85188-6	C - F	GREEN (RAL 6002)		E6304500 600A	X3(D+P) - CHINA
85188-5	C - H	TRAFFIC YELLOW (RAL 1023)		E6304500 500A	X3(D) - CHINA
85188-4	B - H	CLAY BROWN (RAL 8003)		E6304500 400A	LX(D+P+PT)
85188-3	D - G	SIGNAL GREEN (RAL 6032)		E6304500 300A	LX(D+P)
85188-2	B - G	CURRY YELLOW (RAL 1027)		E6304500 200A	H-1(D+P)
85188-1	D - E	TURQUOISE BLUE (RAL 5018)		E6304500 100A	H-1(D)
P/N	CODING	C O L O R		SUBJECT NO.	APPLICATION


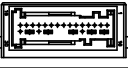
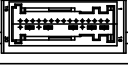
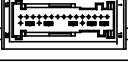
OBSLETE	6-85188-5	O - G	BROWN BEIGE (RAL 1011)		3720102025	CA 6360 2F(D+P)
OBSLETE	6-85188-4	O - F	WINE RED (RAL 3005)		3720102024	HFJ 6380 1F(D)
OBSLETE	6-85188-3	O - E	PIGEON BLUE (RAL 5014)		3720102002	MX-(INDIA) EC 4F(D+P+2PT)
OBSLETE	6-85188-2	D - M	TRAFFIC PURPLE (RAL 4006)		3720102001	MX-(INDIA) EC 3F(D+2PT)
6-85188-1	D - L	PASTEL ORANGE (RAL 2003)		3720102000	MX-(INDIA) STD 4F(D+P+2PT)	
OBSLETE	6-85188-9	J - G	GREEN BEIGE (RAL 1000)		3720101999	MX-(INDIA) STD 3F(D+2PT)
OBSLETE	5-85188-8	J - F	LIGHT IVORY (RAL 1015)		3720101952	A1(D+P)
5-85188-7	J - E	ULTRAMARINE BLUE (RAL 5002)		3720101951	MX(D+P) F/L	
5-85188-6	I - G	NUT BROWN (RAL 8011)		3720101950	MX(D) F/L	
OBSLETE	5-85188-5	I - F	LIGHT BLUE (RAL 5012)		3720101906	SR(D)
5-85188-4	I - E	CURRY YELLOW (RAL 1027)		3720101772	RD COUPE(D+P+2PT) F/L	
OBSLETE	5-85188-3	C - M	GRAPHITE BLACK (RAL 9011)		3720101771	RD COUPE(D+2PT) F/L
5-85188-2	C - L	TURQUOISE BLUE (RAL 5018)		3720101770	RD COUPE(D+P) F/L	
5-85188-1	B - M	LIGHT PINK (RAL 3015)		3720101769	RD COUPE(D) F/L	
4-85188-8	B - L	CLAY BROWN (RAL 8003)		3720101692	J1(D+P)	
4-85188-7	A - M	WINE RED (RAL 3005)		3720101691	M2	
OBSLETE	4-85188-5	B - C	BLUE GREY (RAL 7031)		3720101653	RD99 F/L(D+P)
OBSLETE	4-85188-4	A - B	COBALT BLUE (RAL 5013)		3720101652	RD99 F/L(D)
OBSLETE	4-85188-3	O - P	ROSE (RAL 3017)		3720101633	QA4(D)
4-85188-2	M - N	GREEN (RAL 6002)		3720101639	HP1(D+P)	
OBSLETE	4-85188-1	L - N	TRAFFIC YELLOW (RAL 1023)		3720101640	M2(D+P)
OBSLETE	3-85188-8	A - F	BLUE LILAC (RAL 4005)		3720101547	RD COUPE(D+P)
3-85188-7	A - H	BEIGE (RAL 1001)		3720101546	RD COUPE(D)	
OBSLETE	3-85188-2	F - H	LIGHT IVORY (RAL 1015)		3720101944	A1 SHORT(D+P)
OBSLETE	3-85188-1	F - H	CLAY BROWN (RAL 8003)		3720101943	A1 SHORT(D)
P/N	CODING	C O L O R		SUBJECT NO.	APPLICATION	

9-85188-2	D - E	Jet Black (RAL 9005)		3720102928	CHINA, HAE HAE2.5 (4FC)
9-85188-1	D - E	Melon Yellow (RAL 1028)		3720102929	CHINA, HAE HAE2.5 (2FC)
OBSLETE	8-85188-9	O - H	Raspbeery Red (RAL 3027)	3720102911	CHINA, HAE 2.5 S11(1F)
8-85188-8			THIS IS PART NO FOR EXPORT PACKING TO 0-85188-5		
OBSLETE	8-85188-7	P - E	BRILLIANT BLUE (RAL 5007)	3720102202	IRAN, HAE 2.5(DAB+2PT)
OBSLETE	8-85188-6	P - M	CURRY (RAL 1027)	3720102199	CHINA, HAE 2(DAB+PAB)
8-85188-5	P - L	GREY WHITE (RAL 9002)		3720102198	CHINA, HAE 2.5(DAB+PAB+2PT)
8-85188-4	O - S	SINGNAL GREEN (RAL 6032)		3720102197	CHINA, HAE 2.5 (DAB+PAB)
8-85188-3	J - S	MOSS GREEN (RAL 6005)		3720102132	CK 1, 4F(D+P)
OBSLETE	8-85188-2	I - S	PATINA GREEN (RAL 6000)	3720102133	KZ 218 2F(D+P)
8-85188-1	D - S	RESEDA GREEN (RAL 6011)		3720102136	S11, 1FC(D)
OBSLETE	7-85188-9	C - S	TRAFFIC ORANGE (RAL 2009)	3720102118	CFA6470, Liebao
7-85188-8	B - S	OPAL GREEN (RAL 6026)		3720102104	A1, 2F
7-85188-7	A - S	GREEN BLUE (RAL 5001)		3720102105	A1, 1F
7-85188-6	J - R	SIGNAL YELLOW (RAL 1003)		3720102097	HFJ 7110, 2F
7-85188-5	I - R	RED BROWN (RAL 8012)		3720102076	A1, 4F 04MY
7-85188-4	O - R	BEIGE GREY (RAL 7006)		3720102075	A1, 3F 04MY
OBSLETE	7-85188-3	D - R	TRAFFIC RED (RAL 3020)	3720102074	CA 7180 2F(D+P)
7-85188-2	C - R	BLACK OLIVE (RAL 6015)		3720102060	A11, 2F(D+P)
OBSLETE	7-85188-1	B - R	PLATINUM GREY (RAL 7036)	3720102045	CA7202E3 2F(D+P)
OBSLETE	6-85188-9	A - R	LIGHT GREEN (RAL 6027)	3720102044	BJ 2021(D + P)
OBSLETE	6-85188-8	O - M	SALMON PINK (RAL 3022)	3720102043	HFJ 7110(D + P + 2PT)
OBSLETE	6-85188-7	O - L	PASTEL VIOLET (RAL 4009)	3720102033	A11 1F(D)
OBSLETE	6-85188-6	O - H	OYSTER WHITE (RAL 1013)	3720102031	S11 2F(D + P)
P/N	CODING	C O L O R		SUBJECT NO.	APPLICATION

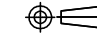
THIS DRAWING IS A CONTROLLED DOCUMENT.

DIMENSIONS: mm	TOLERANCES UNLESS OTHERWISE SPECIFIED:	OWN: SH JANG	CHK: KT LIM	NAME: HG CHO	TE Connectivity Ltd.
0 PLC ±	1 PLC ±	APPRO: -	PRODUCT SPEC: -	APPLICATION SPEC: -	AIR BAG 30P HEADER CAP HOUSING ASS'Y
2 PLC ±	2 PLC ±	SIZE: A1	WEIGHT: 0	CAGE CODE: 00779	DRAWING NO: 85188
3 PLC ±	3 PLC ±	CUSTOMER DRAWING	SCALE: 1:1	SHEET: 2 OF 3	REV: AB3
4 PLC ±	4 PLC ±				
ANGLES ±	ANGLES ±				
MATERIAL: -	FINISH: -				

REVISIONS				
P	LTR	DESCRIPTION	DATE	APPD
-	-	SEE SHEET 1	-	-

Ⓒ	9-85188-3	B - D	OCE-BLUE (RAL 5020)			
Ⓒ	9-85188-4	B - E	Oliver Grey (RAL 7002)			
Ⓒ	9-85188-5	B - F	Header Violet (RAL 4003)			
Ⓒ	9-85188-6	J - S	SIGNAL VIOLET (RAL 4008)		3720102132	CHINA, LF520 4FC(D+P+2PT)

THIS DRAWING IS A CONTROLLED DOCUMENT.

DIMENSIONS: mm		TOLERANCES UNLESS OTHERWISE SPECIFIED:		DWN: SH JANG CHK: KT LIM		NAME: AIR BAG 30P HEADER CAP HOUSING ASS'Y	
		0 PLC ± -	1 PLC ± -	APNO: HG CHO		PRODUCT SPEC: -	
		2 PLC ± -	3 PLC ± -	APPLICATION SPEC: -		RESTRICTED TO: -	
		4 PLC ± -	ANGLES ± -	WEIGHT: 0		SIZE: A1	
MATERIAL: -		FINISH: -		CAGE CODE: 00779		DRAWING NO: 85188	
CUSTOMER DRAWING				SCALE: 1:1		SHEET 3 OF 3	
						REV: AB3	

TE Connectivity Ltd.