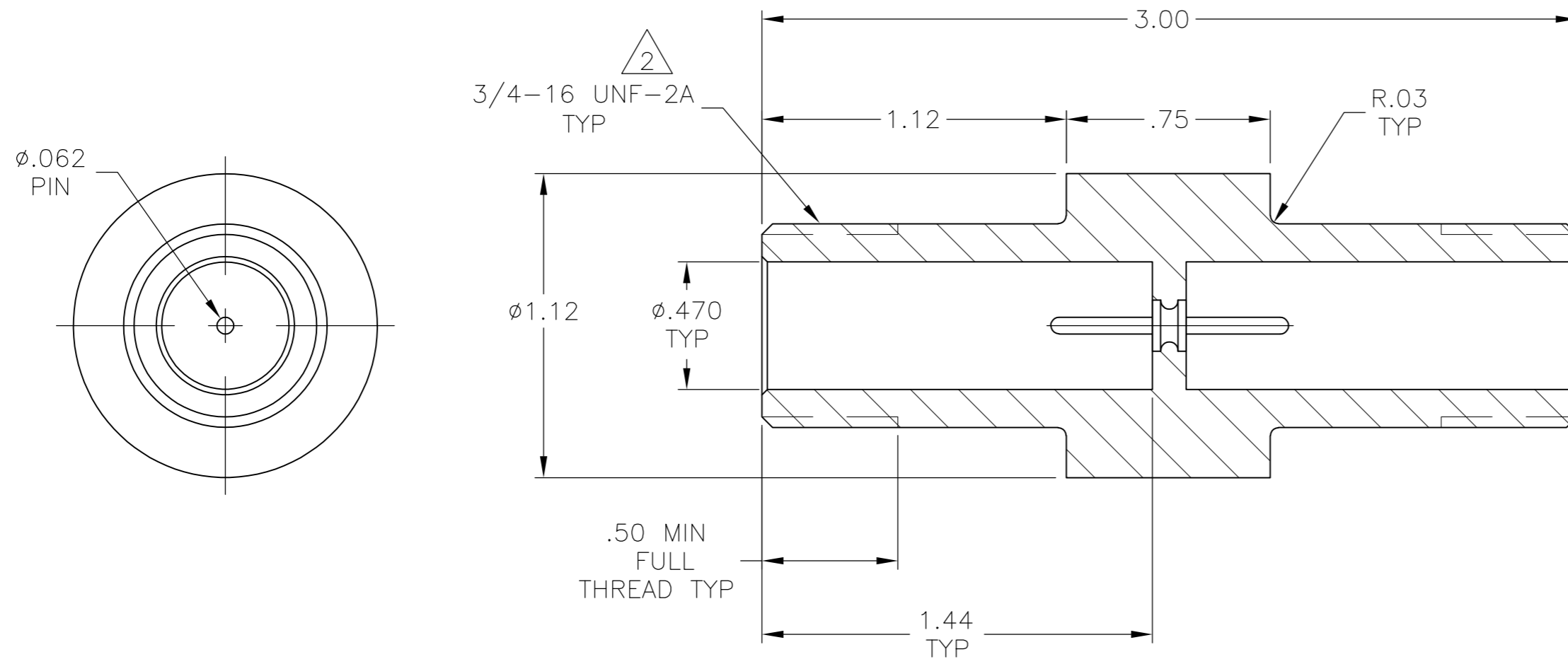


THIS DRAWING IS UNPUBLISHED. RELEASED FOR PUBLICATION  
 © COPYRIGHT - By - ALL RIGHTS RESERVED.

LOC		DIST		REVISIONS			
P	LTR	DESCRIPTION	DATE	DWN	APVD		
	G	ECO-13-003801	3-13-13	MS	DE		

- RECEPTACLE TO MATE WITH AMP LGH-2 LEAD ASSEMBLY AVAILABLE SEPARATELY.
- PER FEDERAL STANDARD H-28 3 WIRE METHOD. DIMENSION OVER WIRES TO BE .7474-.7654.



PART NUMBER	DESCRIPTION
850555-2	RECEPTACLE (TERMINAL MOUNT ASSY. GOLD PLATED)
850555-1	RECEPTACLE (TERMINAL MOUNT ASSY. TIN PLATED)

THIS DRAWING IS A CONTROLLED DOCUMENT.		DWN	M. SCHEIDLER	3-13-13		
DIMENSIONS: INCHES		CHK	D. EABY	3-13-13		
TOLERANCES UNLESS OTHERWISE SPECIFIED:		APVD	D. EABY	3-13-13		
0 PLC ± - 1 PLC ± - 2 PLC ± .03 3 PLC ± .005 4 PLC ± - ANGLES ± -		NAME		RECEPTACLE, FEED-THRU		
MATERIAL: GLASS EPOXY MOLDED		FINISH: BLACK		APPLICATION SPEC		FOR SPLICE APPLICATIONS LGH-2
WEIGHT: -		SCALE: 4:1		SIZE: A2	CAGE CODE: 00779	DRAWING NO: 850555
CUSTOMER DRAWING		SHEET: 1 of 1		RESTRICTED TO: -		REV: G

850555