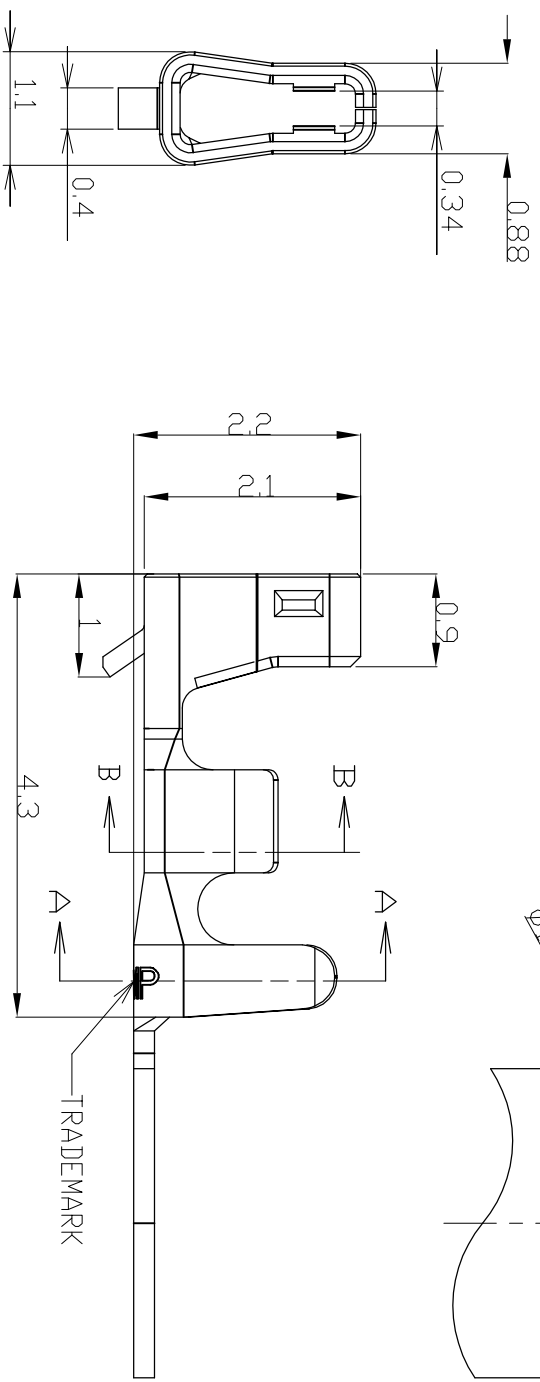
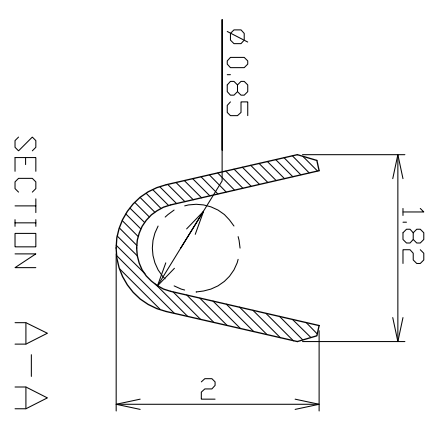
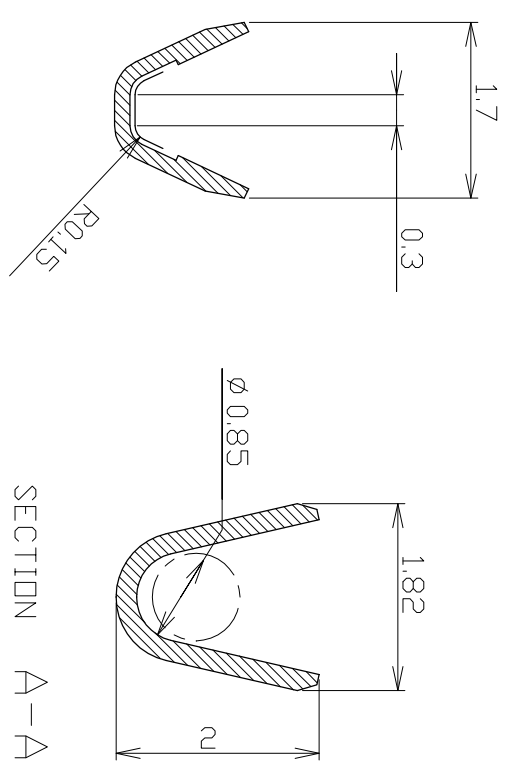
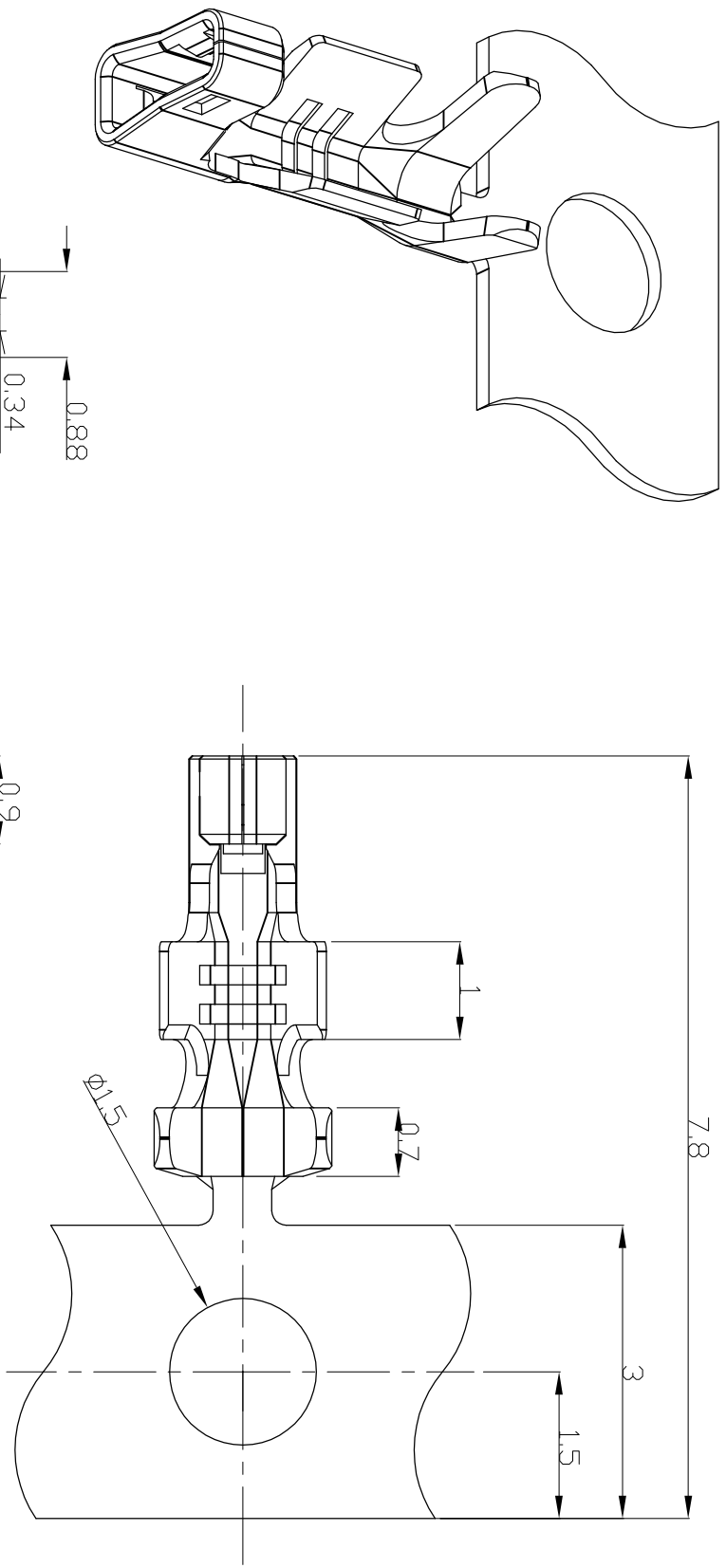


LOC	DIST	REVISONS		DATE	DWN	APVD
ES	00	P	LTR	DESCRIPTION		
		C	REVISED	ECR-06-007298	23MAR06	C.Z S.Y



- NOTES:
1. USE WITH HOUSING P/N: 84726
 2. GENERAL TOLERANCE: ±0.2 ANGLE: ±3°

84727-1 AS SHOWN

THIS DRAWING IS A CONTROLLED DOCUMENT.		DWN	23MAY01	Tyco Electronics Corporation	
DIMENSIONS: mm		WY	LEE	shanghai cn	
TOLERANCES UNLESS OTHERWISE SPECIFIED:		CHK			
0	PLC	NG	PH		
1	PLC	APVD	CHOO	AMP Mini Common Terminated (CT) Connector	
2	PLC	Product spec	108-60025	1.5mm Pitch RECEPTACLE CONTACT (AWG#24~#28), CRIMP TYPE	
3	PLC	APPLICATION SPEC	114-51010		
4	PLC	WEIGHT			
FINISH		CUSTOMER DRAWING		SCALE	15:1
PRE-TIN				SHEET	1 OF 1
PHDS-BRONZE, 0.2mm THK				REV	C