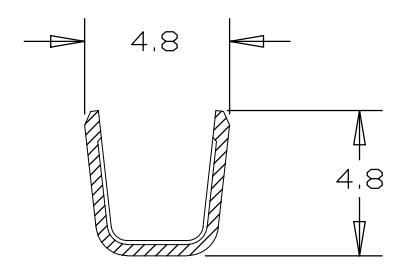
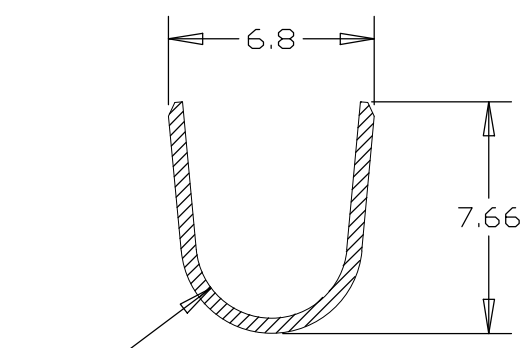


THIS DRAWING IS UNPUBLISHED. RELEASED FOR PUBLICATION .19
 © COPYRIGHT 19 BY AMP INCORPORATED. ALL RIGHTS RESERVED.

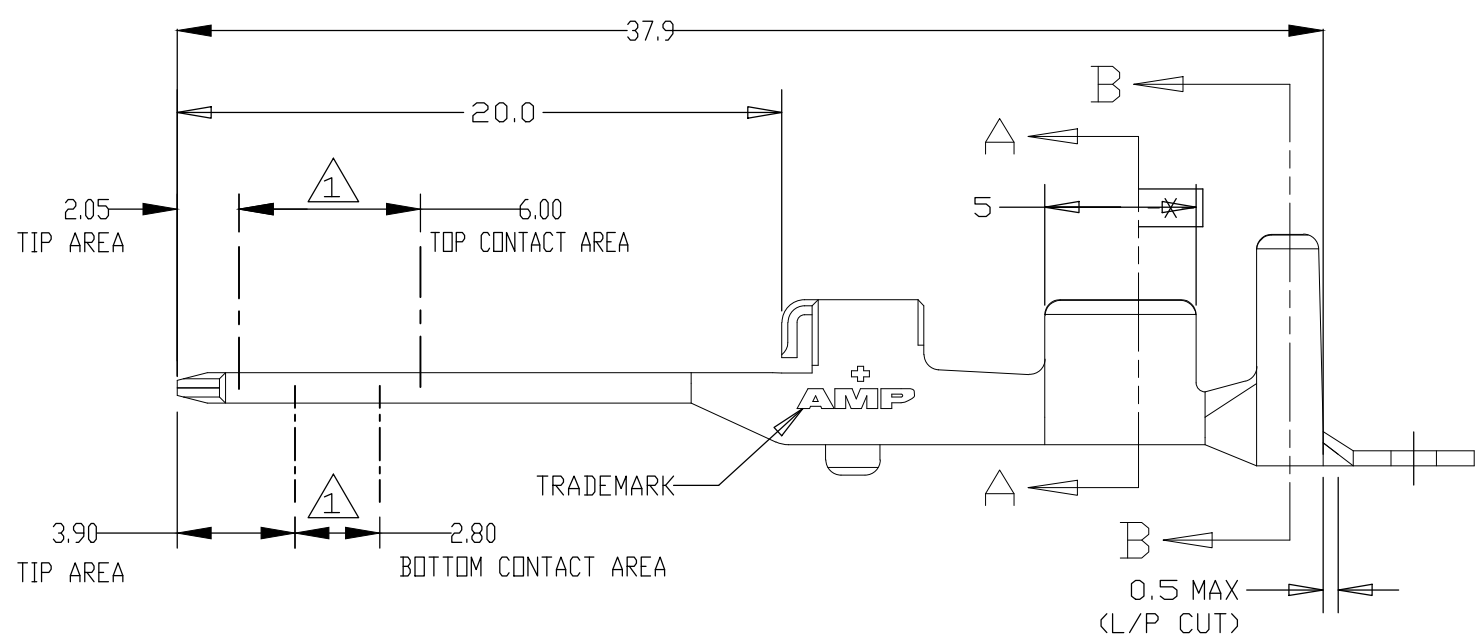
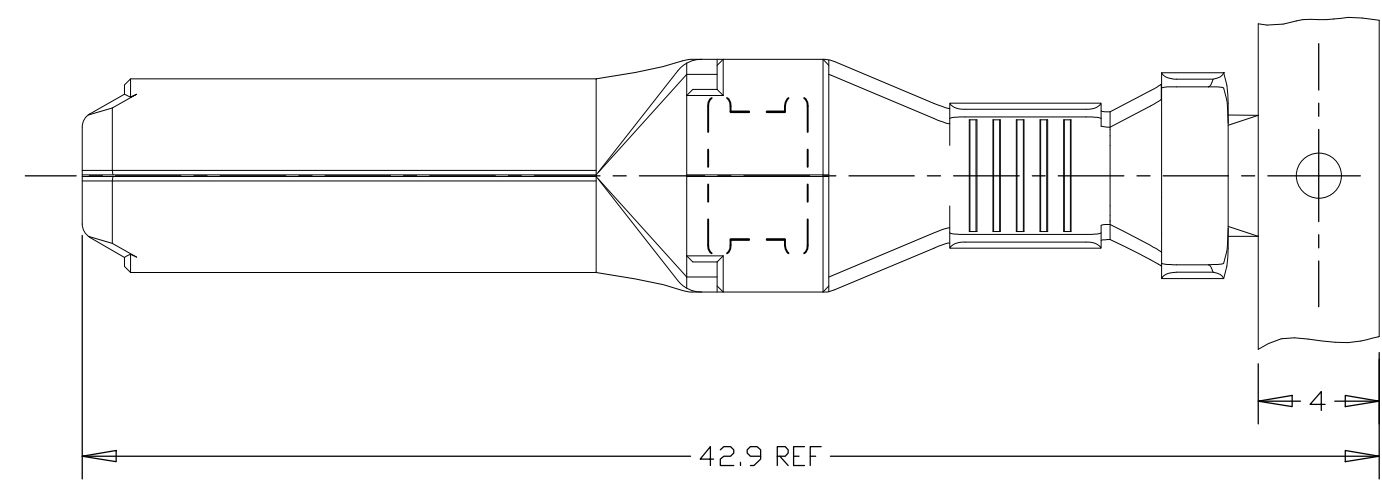
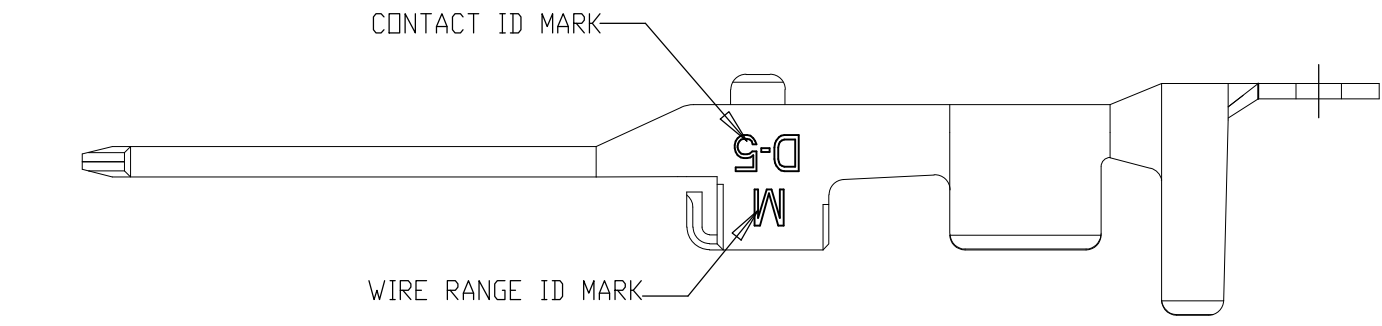
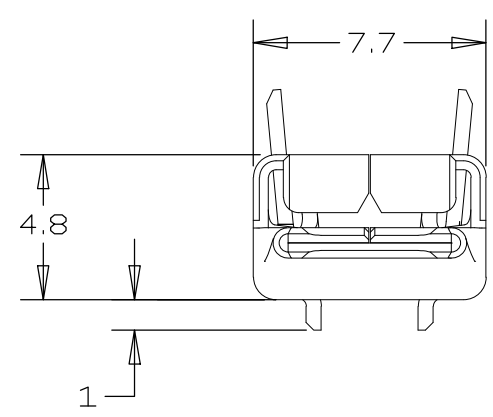
LOC	DIST	REVISIONS			
P	LTR	DESCRIPTION	DATE	DWN	APVD
ES	00				
		C	REVISED PER ECR-19-014502	17SEP2019	T.S E.I



SECTION A-A



SECTION B-B



1	84695-1
FINISH	PART NO.

WIRE RANGE	INSULATION DIA
3.08/5.5mm ² AWG #12/#10	4/5.2mm ϕ

NOTES:
 1. FINISH : 0.2 μ m MIN GOLD (CONTACT AREA) PLATING OVER NI UNDER PLATING ALL OVER EXCEPT INSIDE OF CONTACT BOX
 GOLD PLATING THK DID NOT CONTROL AT CONTACT TIP AREA
 2. TOLERANCES UNLESS OTHERWISE SPECIFIED
 * ≤ 10 : ± 0.3
 10 < * ≤ 30 : ± 0.35
 30 < * ≤ 100 : ± 0.4
 ANGLE: $\pm 3^\circ$

THIS DRAWING IS A CONTROLLED DOCUMENT FOR AMP INCORPORATED. IT IS SUBJECT TO CHANGE AND THE CONTROLLING ENGINEERING ORGANIZATION SHOULD BE CONTACTED FOR THE LATEST REVISION.		DWN	WY LEE	3JAN'00	 TE Connectivity	NAME		TAB CONTACT "M" SIZE <DYNAMIC D-5000 SERIES>		
DIMENSIONS: mm		CHK	LP TAN	3JAN'00		SIZE		CAGE CODE	DRAWING NO	
TOLERANCES UNLESS OTHERWISE SPECIFIED: 0 PLC \pm 1 PLC ± 0.30 2 PLC ± 0.35 3 PLC ± 0.40 4 PLC \pm ANGLES $\pm 3^\circ$		APVD	WL CHOO	31MAY'01		A3	00779	C-84695		
MATERIAL COPPER ALLOY		PRODUCT SPEC	APPLICATION SPEC 114-5206			WEIGHT		2.08g	SCALE	4:1
FINISH SEE TABLE		CUSTOMER DRAWING		SHEET		1	OF	1	REV	C