

4

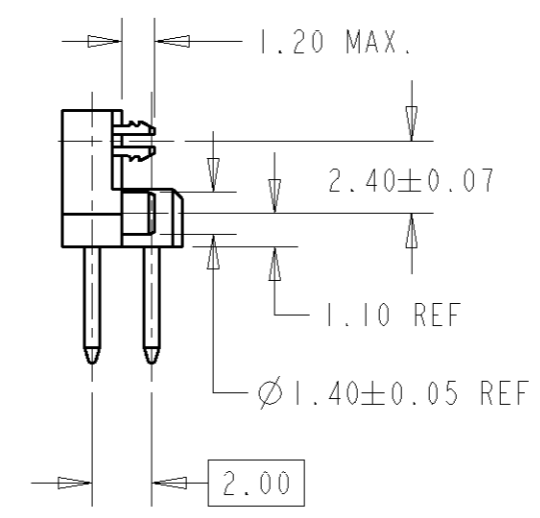
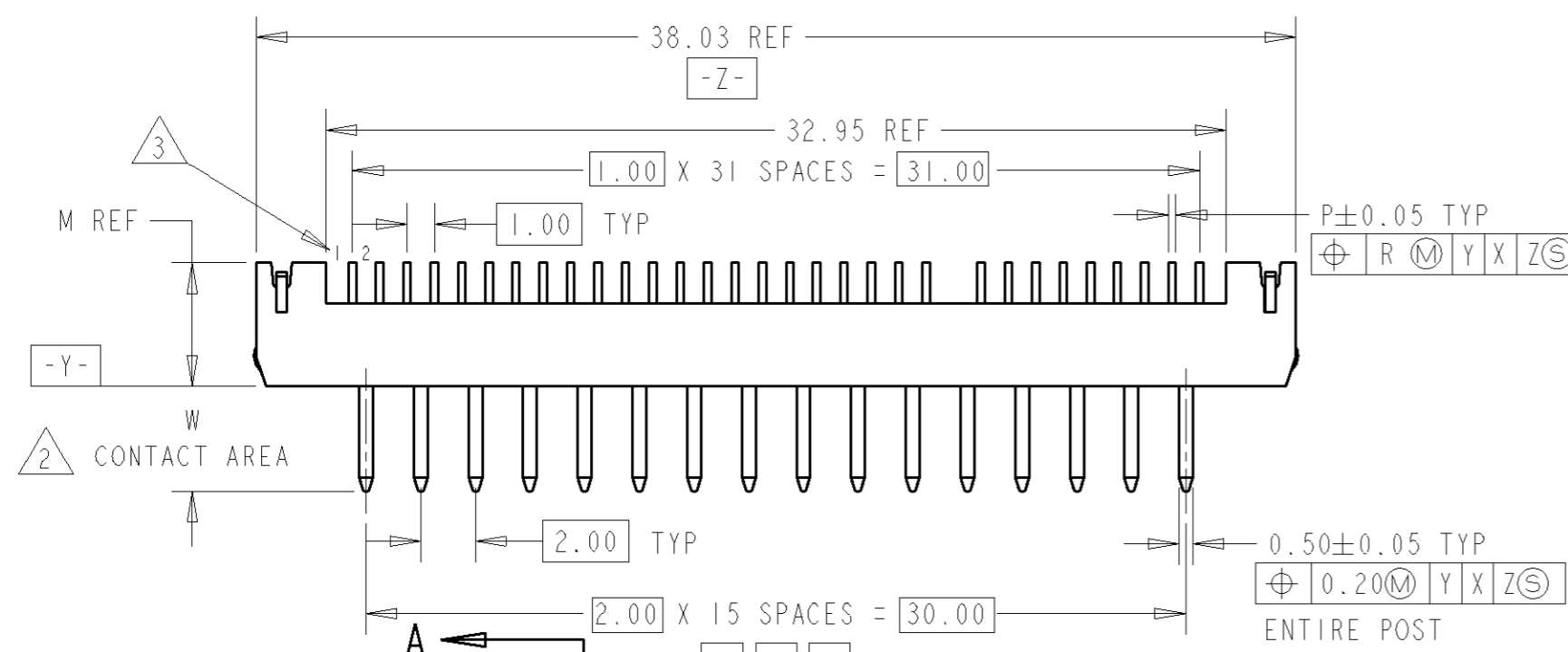
3

2

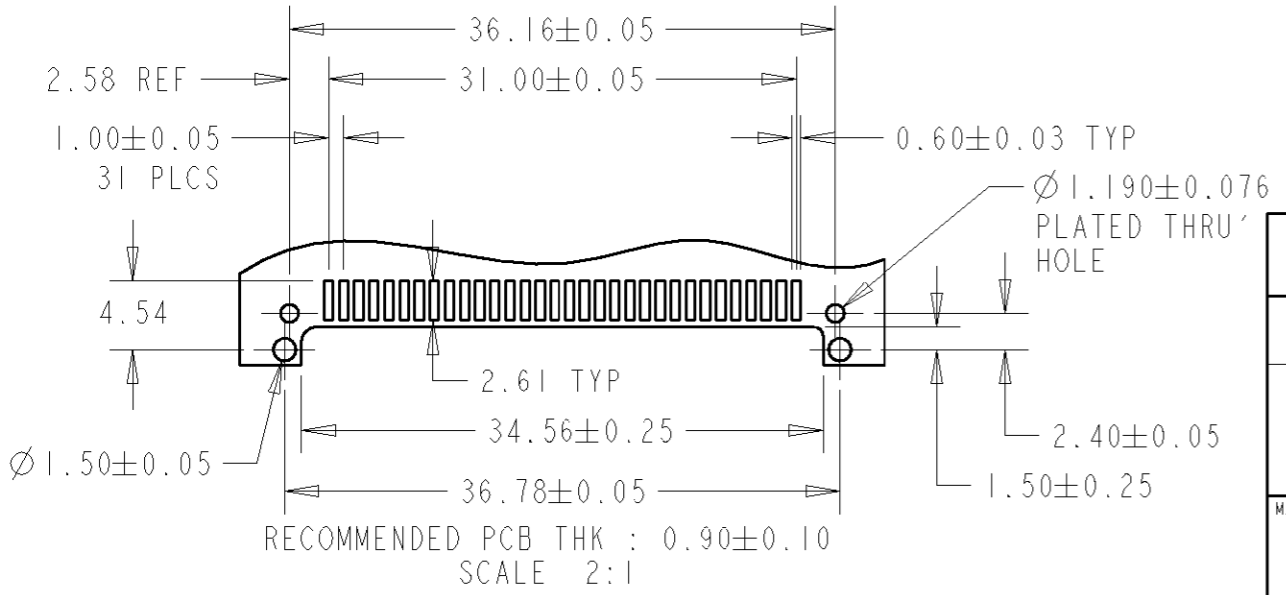
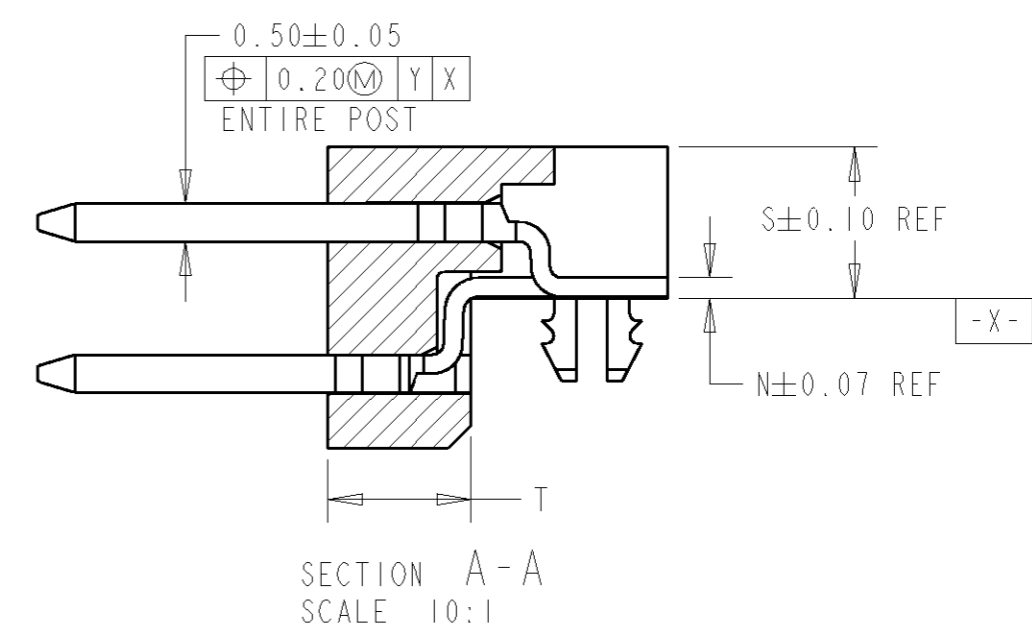
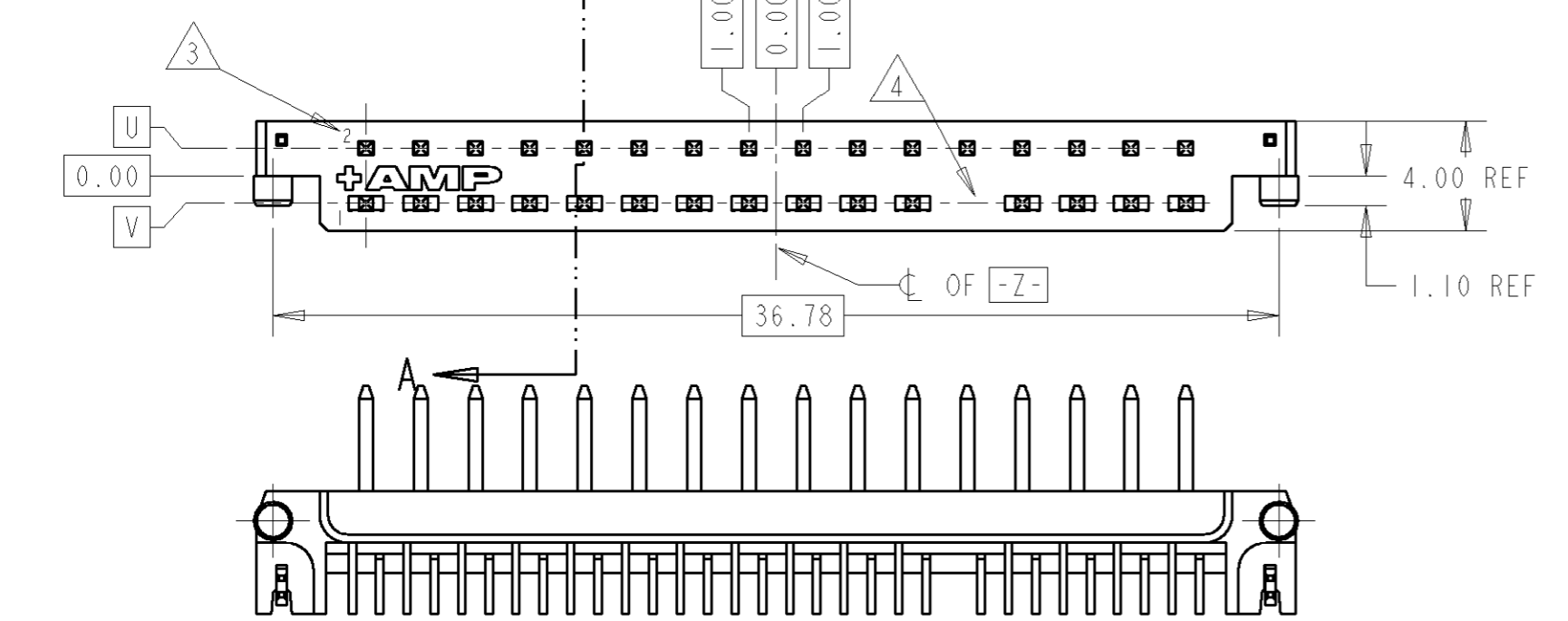
1

THIS DRAWING IS UNPUBLISHED. RELEASED FOR PUBLICATION .19  
 (C) COPYRIGHT 19 BY AMP INCORPORATED. ALL RIGHTS RESERVED.

LOC	DIST	REVISIONS					
		P	LTR	DESCRIPTION	DATE	DWN	APVD
DY	-	A		REVISED FP00-0221-01	16NOV01	LWY	AA



NOTES:  
 1 MATERIAL:  
 HOUSING: HIGH TEMP THERMOPLASTIC UL94V-0, BLACK  
 POST: COPPER ALLOY  
 2 FINISH:  
 CONTACT AREA: 0.76um MIN GOLD  
 SOLDER AREA: 2.54um MIN TIN-LEAD  
 UNDERPLATE: 1.3um MIN NICKEL ALL OVER  
 3 POSITION NO. FOR REFERENCE ONLY  
 4 PIN #23 OMITTED.



3.86 <sup>+0.13</sup> <sub>-0.07</sub>	1.00	1.00	1.90	2.00	0.23	0.27	0.25	4.50	32	84550-1
W	V	U	T	S	R	P	N	M	POS.	PART NO.

THIS DRAWING IS A CONTROLLED DOCUMENT FOR AMP INCORPORATED. IT IS SUBJECT TO CHANGE AND THE CONTROLLING ENGINEERING ORGANIZATION SHOULD BE CONTACTED FOR THE LATEST REVISION.

DIMENSIONS: mm	TOLERANCES UNLESS OTHERWISE SPECIFIED: 0 PLC ±.15 1 PLC ±.15 2 PLC ±.15 3 PLC ±.15 4 PLC ±. ANGLES ±1°	DWN WYLEE 20JUL98 CHK COLIN APVD FRIC TNG PRODUCT SPEC 108-51013 APPLICATION SPEC 114- WEIGHT -	AMP MANUFACTURING (SINGAPORE) PTE. LTD. NAME AMPMODU HDR, D/R SMT R/A, 2mm PITCH SIZE A3 CAGE CODE 00779 DRAWING NO C-84550
MATERIAL 1	FINISH 2	CUSTOMER DRAWING	SCALE 4:1 SHEET 1 OF 1 REV A