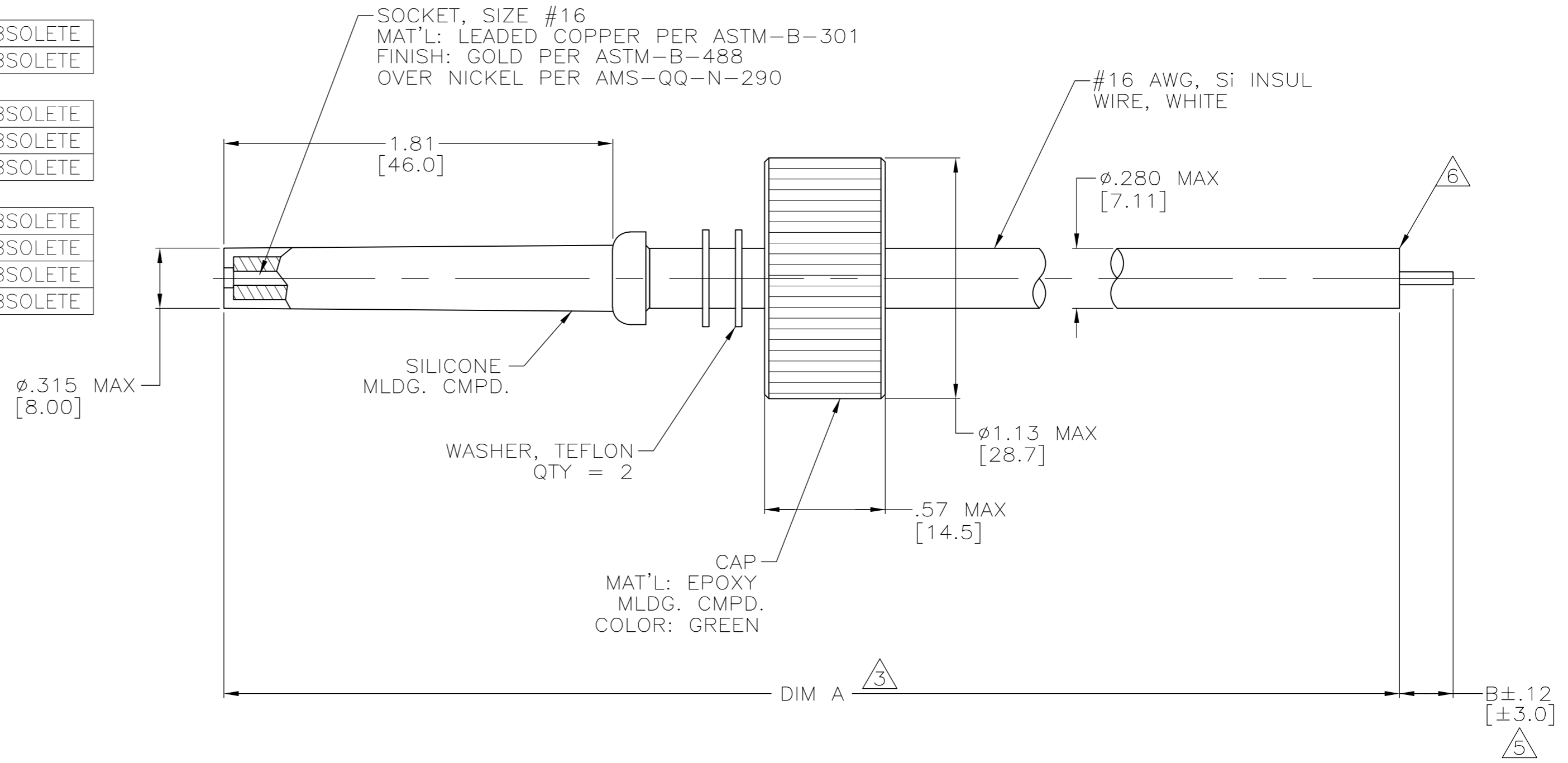


PART NO.	DIM A ^{△3}	DIM B	REMARKS
837975-1	12.00 [304.8]	-	
837975-2	36.00 [914.4]	-	
837975-3	18.00 [457.2]	-	
837975-4	8.00 [203.2]	.25 [6.3]	△5 OBSOLETE
837975-5	120.00 [3048.0]	.25 [6.3]	△5 OBSOLETE
837975-6	6.00 [152.4]	.25 [6.3]	△5
837975-7	30.00 [762.0]	.38 [9.7]	△5
837975-8	12.00 [304.8]	.38 [9.7]	△5
837975-9	48.00 [1219.2]	.38 [9.7]	△5
1-837975-0	15.75 [400.0]	-	△5 OBSOLETE
1-837975-1	10.00 [254.0]	.38 [9.7]	△5 OBSOLETE
1-837975-2	5.00 [127.0]	.38 [9.7]	△5 OBSOLETE
1-837975-3	7.00 [177.8]	.38 [9.7]	△5 OBSOLETE
1-837975-4	9.00 [228.6]	.38 [9.7]	△5
1-837975-5	16.00 [406.4]	.38 [9.7]	△5
1-837975-6	24.00 [609.6]	.38 [9.7]	△5
1-837975-7	60.00 [1524.0]	.38 [9.7]	△5 OBSOLETE
1-837975-8	72.00 [1828.8]	.38 [9.7]	△5
1-837975-9	420.00 [10668.0]	.38 [9.7]	△5 OBSOLETE
2-837975-0	240.00 [6096.0]	.38 [9.7]	△5 OBSOLETE
2-837975-1	158.00 [4013.2]	.38 [9.7]	△5
2-837975-2	197.00 [5003.8]	.38 [9.7]	△5 OBSOLETE
2-837975-3	276.00 [7010.4]	.38 [9.7]	△5 OBSOLETE
2-837975-4	1182.00 [30022.8]	.38 [9.7]	△5 OBSOLETE
2-837975-5	480.00 [12192.0]	.38 [9.7]	△5
2-837975-6	17.00 [431.8]	.38 [9.7]	△5 OBSOLETE
2-837975-7	360.00 [9144.0]	.38 [9.7]	△5 OBSOLETE
2-837975-8	78.75 [2000.2]	.38 [9.7]	△5 OBSOLETE
2-837975-9	40.00 [1016.0]	.38 [9.7]	△5 OBSOLETE
5-837975-9	48.00 [1219.2]	.38 [9.7]	△6
6-837975-4	9.00 [228.6]	.38 [9.7]	△6
6-837975-6	24.00 [609.6]	.38 [9.7]	△6

LOC	DIST	REVISIONS			
P	LTR	DESCRIPTION	DATE	DWN	APVD
S		REV PER ECO-13-006151	16APR13	KG	DE

1. MARKED PER MIL-STD-130.
 2. LEADS WILL MATE WITH AMP LGH-3 RECEPTACLE WITH 1.81 [4.7] BARREL DEPTH.
- △3 TOLERANCE OF LEAD LENGTH:
 UP TO 24 INCHES [609.6] = ±.12 [±3.0]
 24 INCHES [609.6] & UP = ±1%
4. OPERATING VOLTAGE: 40 KVDC AT 0 TO 70,000 FEET, -55°C TO 125°C.
- △5 PIGTAIL IS SOLDER DIPPED.
 △6 INSULATION CUT, BUT NOT REMOVED.



THIS DRAWING IS A CONTROLLED DOCUMENT. DIMENSIONING AND TOLERANCING PER ASME Y14.5M (ISO STANDARDS)		DWN C.C.THOMAS 02-MAY-94	STE TE Connectivity
DIMENSIONS: INCHES [mm]		CHK D.EABY 04-MAY-94	
TOLERANCES UNLESS OTHERWISE SPECIFIED:		APVD D.EABY 04-MAY-94	NAME LEAD ASSY SGL END LGH-3
0 PLC ± -		PRODUCT SPEC	
1 PLC ± -		APPLICATION SPEC	
2 PLC ± .02 [0.5]		WEIGHT -	RESTRICTED TO
3 PLC ± -		SCALE 2:1	SHEET 1 OF 1
4 PLC ± -		CUSTOMER DRAWING	
ANGLES ± -		SIZE A2	CAGE CODE 00779
FINISH SEE CALLOUTS		DRAWING NO C-837975	
MATERIAL SEE CALLOUTS		SCALE 2:1	REV S