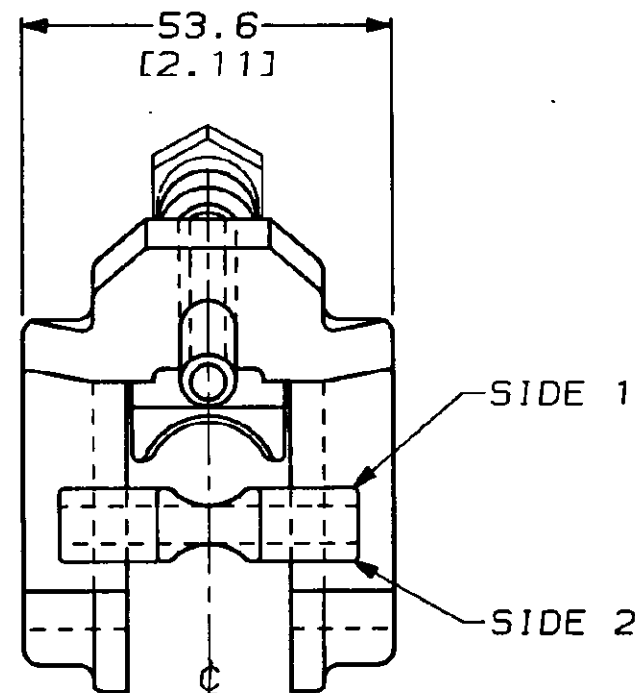
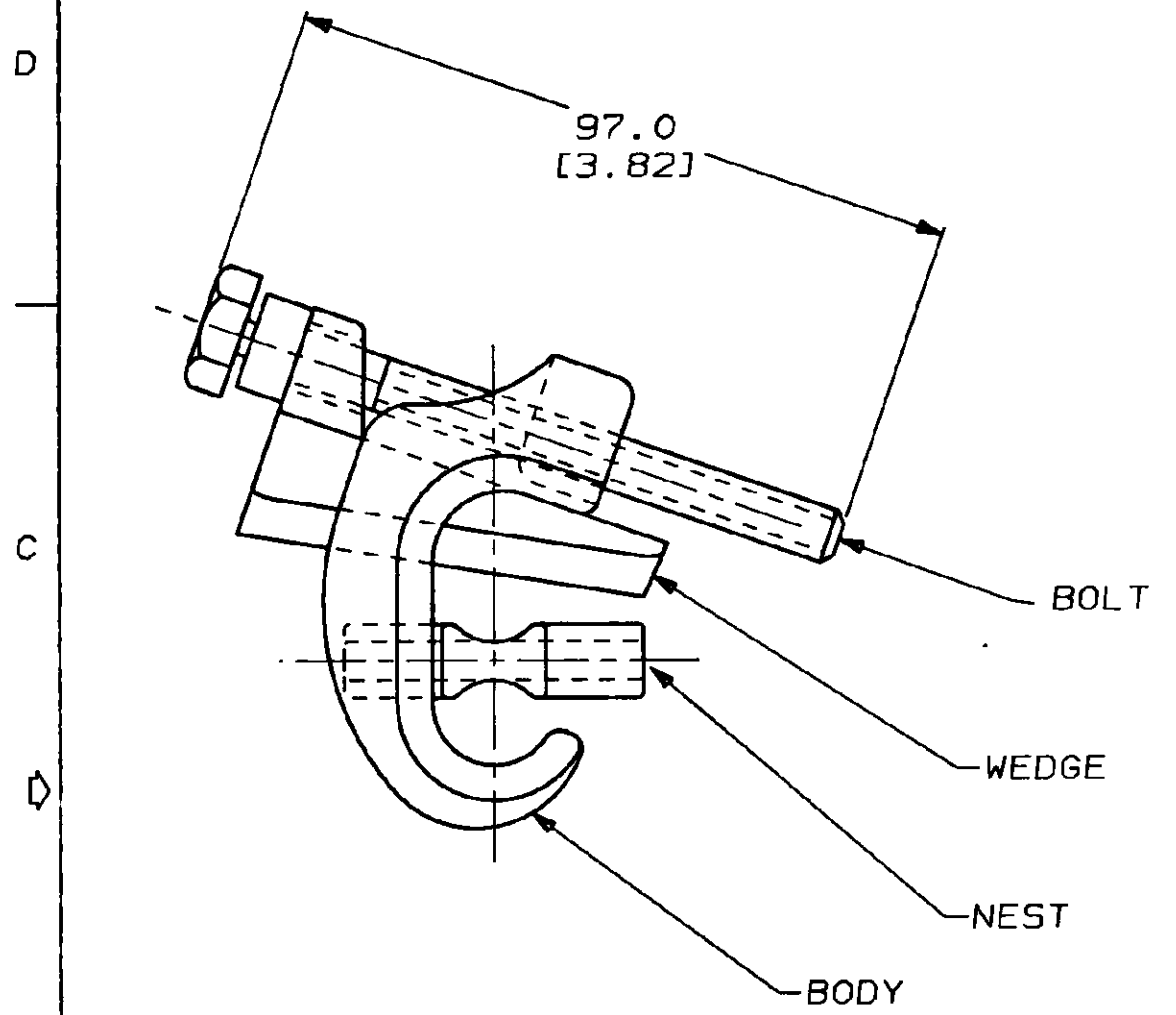


THIS DRAWING IS UNPUBLISHED. RELEASED FOR PUBLICATION ,19 .
 © COPYRIGHT 19 BY AMP OF CANADA LTD. ALL INTERNATIONAL RIGHTS RESERVED.

LOC	DIST	P	F	ZONE	LTR	REVISIONS	DATE	APPD
BG	1					B	REV PER 2000-040-94	

1. DIMENSIONS ARE FOR REFERENCE ONLY.



4/0	300	83748-4
1/0	400 450	83748-3
4/0	5/8 CU CLAD 250	83748-2
4/0	4/0	83748-1
SIDE 2	SIDE 1	PART NO

DO NOT SCALE PRINT. UNLESS SPECIFIED DIMENSIONS IN mm (INCHES) TOLERANCES ON: 2 PLC DEC * - 3 PLC DEC * - ANGLES * -	DR C. RICHTER 24NOV93	AMP AMP of CANADA Ltd. Markham, Ont.	
	CHK -	NAME	
MATERIAL N/A	APPD <i>[Signature]</i>	CONNECTOR, SYMMETRICAL NEST, SMALL, GROUNDING GRID	
FINISH N/A	APPD -	SIZE B	CASE CODE 09482
	PRODUCT SPEC -	DRAWING NO 83748	
	APPLICATION SPEC -	SCALE 1:1	SHEET 1 OF 1
	WEIGHT -		

METRIC

S.83748.B.1.C plotted by SYSTEM on 27 APR 1994 at 08:39:00 from <CAD/CAM>AMPCAN>WIP>U.040-94