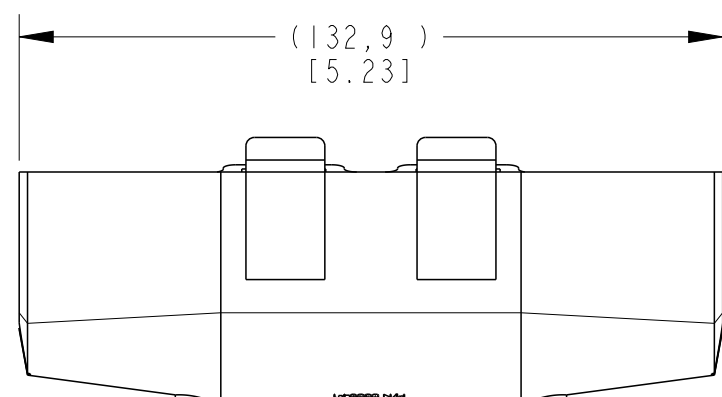
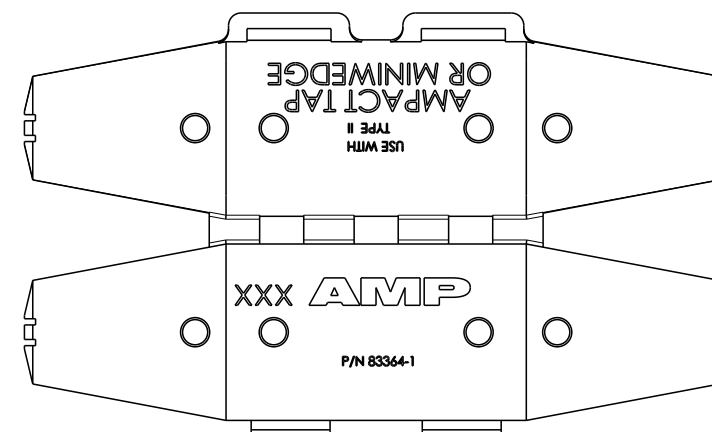
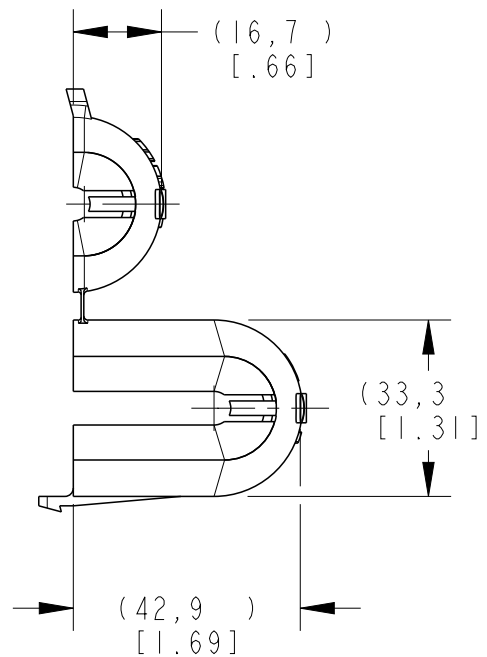
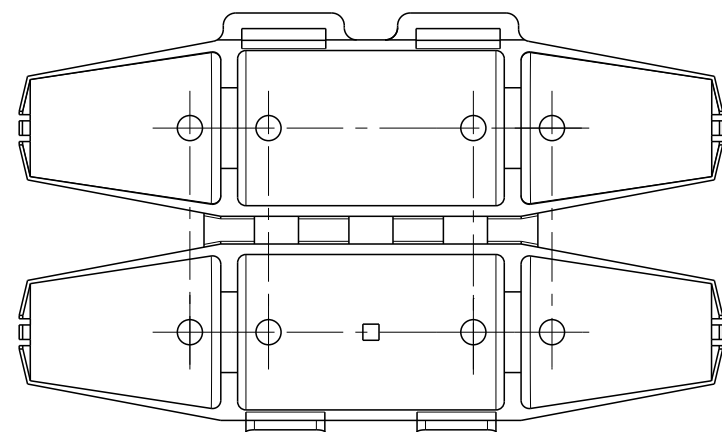
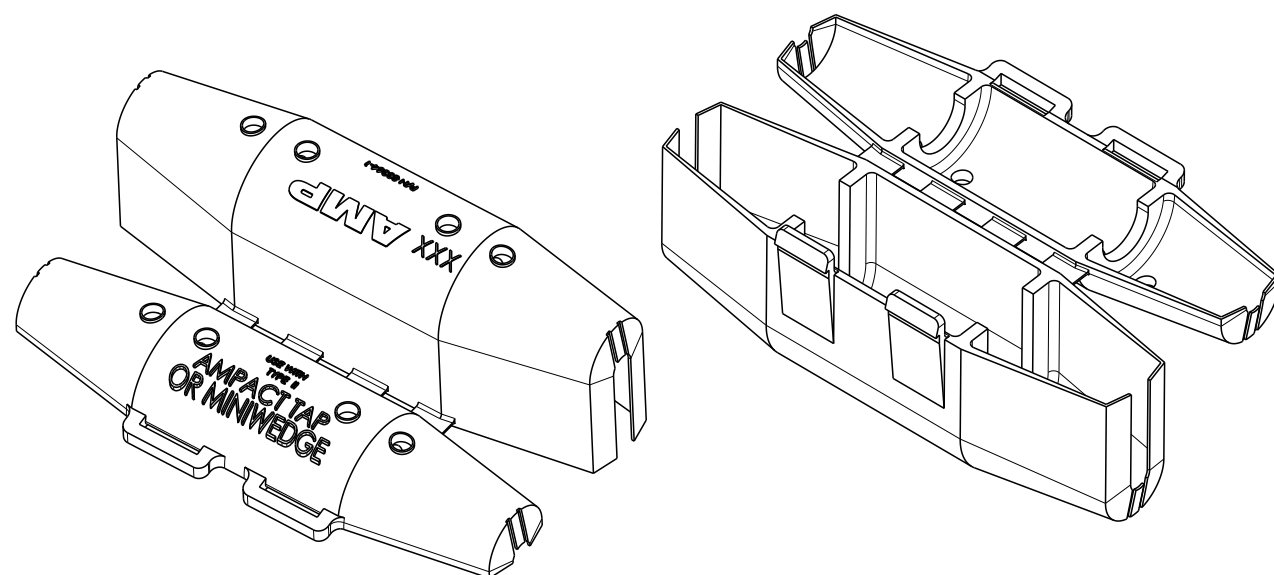



P	LTR	DESCRIPTION	DATE	DWN	APVD
	E	LC20-0126-20 / ECO-20-017243	02DEC2020	RS	BJ



1. FOR USE WITH ALL TYPE II CODED TAPS AND MINIWEDGE.
2. ALL DIMENSIONS ARE NOMINAL.



BLACK	83364-1
COLOR	PART NO.

THIS DRAWING IS A CONTROLLED DOCUMENT.		DWN C. RICHTER 26 JUL 93	 TE Connectivity		
DIMENSIONS: mm [INCHES]		CHK -			
TOLERANCES UNLESS OTHERWISE SPECIFIED:		APVD C. BRESSLER 27 JUL 93	NAME TAP COVER, AMPACT TYPE II/MINIWEDGE		
0 PLC ± 1 PLC ± 2 PLC ± 3 PLC ± 4 PLC ± ANGLES ±-		PRODUCT SPEC -	APPLICATION SPEC -		
MATERIAL LDPE	FINISH -	WEIGHT -	SIZE A3	CAGE CODE 00779	DRAWING NO C-83364
CUSTOMER DRAWING			SCALE NTS	SHEET 1	OF 1
			REV E		