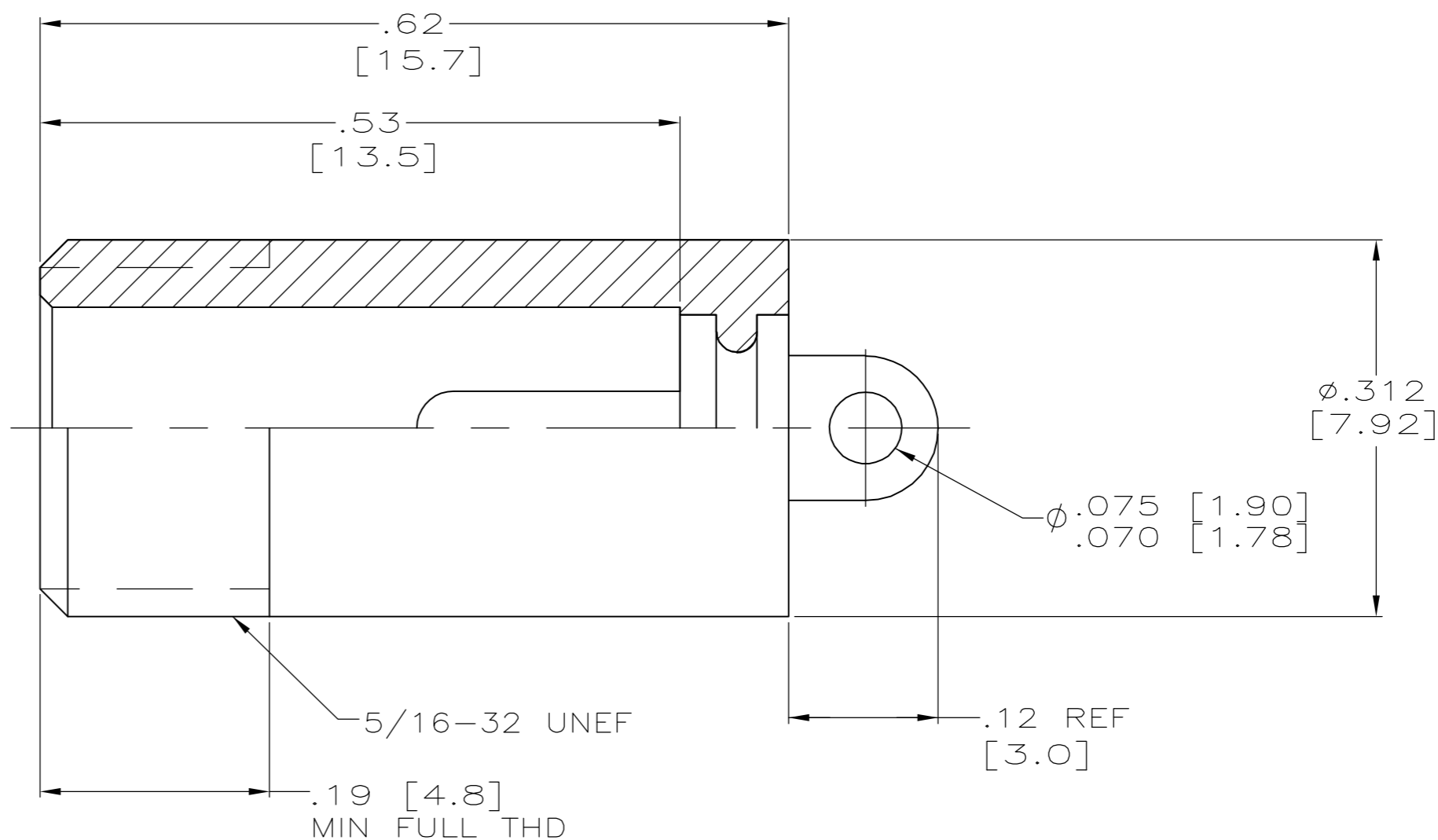
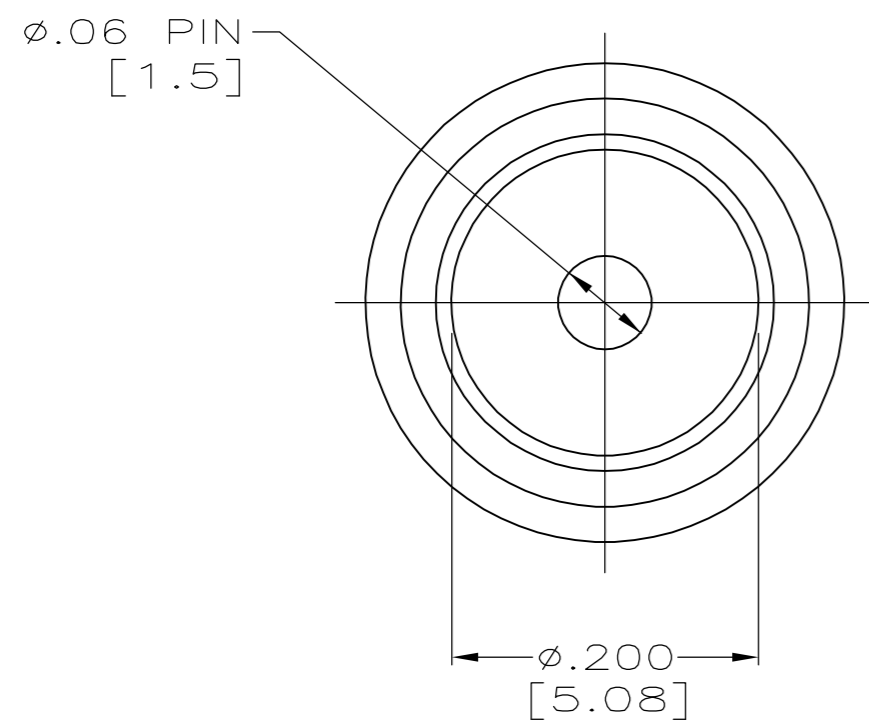


THIS DRAWING IS UNPUBLISHED. RELEASED FOR PUBLICATION  
 © COPYRIGHT BY TYCO ELECTRONICS CORPORATION. ALL RIGHTS RESERVED.

LOC		DIST		REVISIONS			
P	LTR	DESCRIPTION		DATE	DWN	APVD	
	R	REV PER 0H14-0191-05		05-05	AA	DE	

1. RECEPTACLE TO MATE WITH AMP LGH-1/2 LEAD ASSY.
2. MARKED PER MIL-STD-130.
3. SPECIAL TESTING REQUIRED.
4. CUSTOMER PART NO. 44121-001 MARKED PER MIL-STD-130.



-	.000150 MIN TIN	5-830178-1
3/4	.000150 MIN TIN-LEAD	830178-8
3	.000150 MIN TIN-LEAD	830178-7
-	.000050 MIN GOLD	830178-3
-	.000030 MIN GOLD	830178-2
-	.000150 MIN TIN-LEAD	830178-1
REMARKS	TERMINAL PLATING	PART NO.

THIS DRAWING IS A CONTROLLED DOCUMENT.		DWN	C.C.THOMAS	23-MAR-94	 Tyco Electronics Corporation Harrisburg, Pa 17105-3608
DIMENSIONS: INCHES		CHK	D. EABY	24-MAR-94	
TOLERANCES UNLESS OTHERWISE SPECIFIED:		APVD	D. EABY	24-MAR-94	
0 PLC ± - 1 PLC ± - 2 PLC ± .02[0.5] 3 PLC ± .005[0.13] 4 PLC ± - ANGLES ± - FINISH -		PRODUCT SPEC	NAME		
MATERIAL: EPOXY MLDG CMPD COLOR: BLACK		APPLICATION SPEC	-		SIZE: A2
		WEIGHT	-		CAGE CODE: 00779
		CUSTOMER DRAWING	SCALE: 4:1		DRAWING NO: C=830178
			SHEET 1 OF 1		RESTRICTED TO: -
			REV R		