

4

3

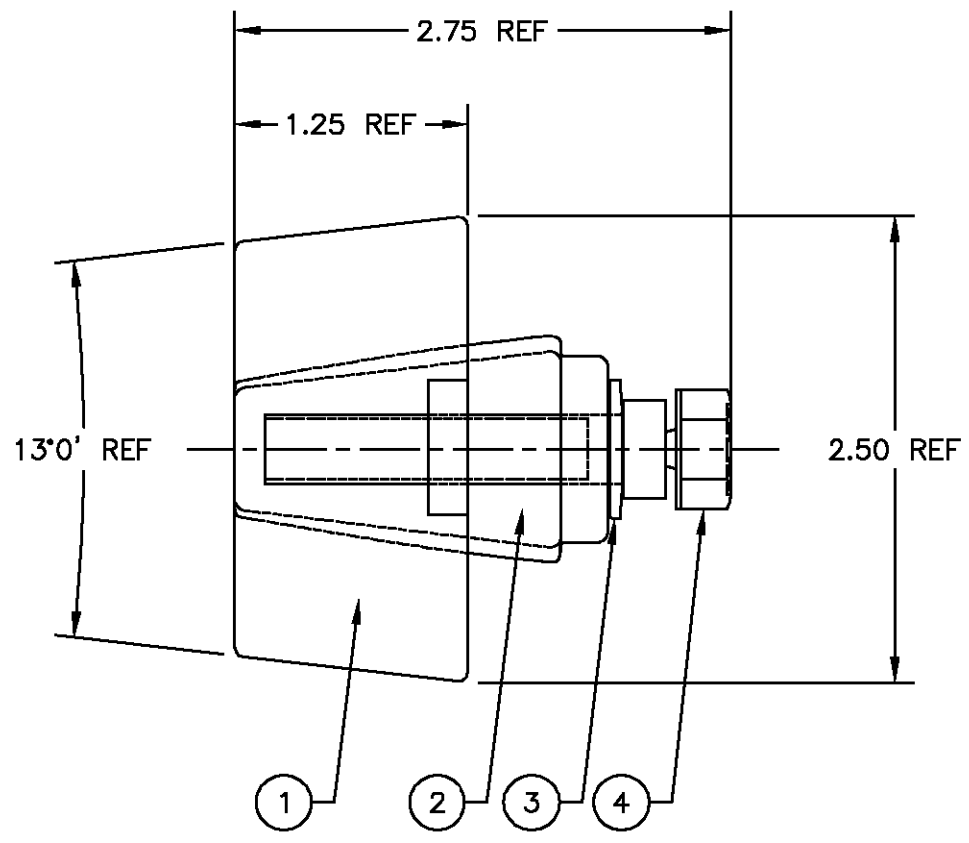
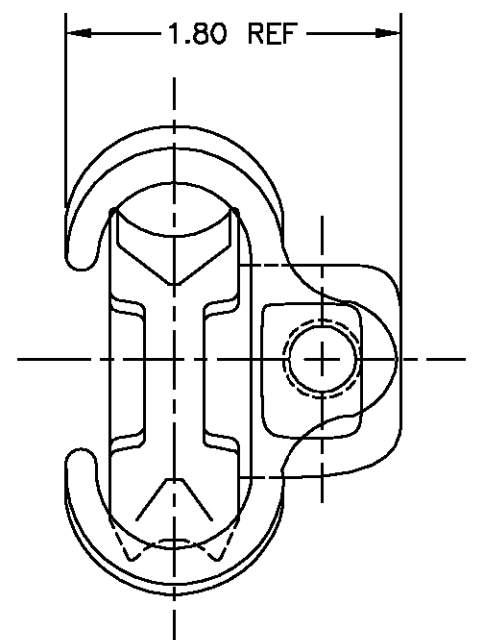
2

1

THIS DRAWING IS UNPUBLISHED. RELEASED FOR PUBLICATION .19
 © COPYRIGHT 19 BY AMP INCORPORATED. ALL RIGHTS RESERVED.

LOC	DIST	REVISIONS			
P	LTR	DESCRIPTION	DATE	DWN	APVD
GA	5	A	REDRAWN PER LC20-0059-01	11SEPT01	CD BJ

1. ACCOMMODATES 5/8" GROUND ROD (.563 DIA) TO 1/0 STR. COPPER.
2. SUITABLE FOR DIRECT BURIAL.



83000-1
PART NO.

DESCRIPTION	ITEM NO
BRONZE 5/8" HEX. SHEAR HEAD BOLT	4
WASHER	3
COPPER WEDGE	2
COPPER "C" BODY MEMBER	1

THIS DRAWING IS A CONTROLLED DOCUMENT.		DWN C DAVID 11 SEP 01	AMP Tyco Electronics Canada Ltd. Markham, ON L3R 1E1												
DIMENSIONS: INCHES		CHK D LADIN 12 SEP 01													
TOLERANCES UNLESS OTHERWISE SPECIFIED:		APVD B JOHNSON 12 SEP 01	NAME												
<table border="1"> <tr><td>0 PLC</td><td>±</td></tr> <tr><td>1 PLC</td><td>±</td></tr> <tr><td>2 PLC</td><td>±</td></tr> <tr><td>3 PLC</td><td>±</td></tr> <tr><td>4 PLC</td><td>±</td></tr> <tr><td>ANGLES</td><td>±</td></tr> </table>		0 PLC	±	1 PLC	±	2 PLC	±	3 PLC	±	4 PLC	±	ANGLES	±	PRODUCT SPEC	SHEAR - LOK TAP
0 PLC	±														
1 PLC	±														
2 PLC	±														
3 PLC	±														
4 PLC	±														
ANGLES	±														
MATERIAL HIGH CONTENT COPPER-CAST ALLOY		APPLICATION SPEC													
FINISH		WEIGHT	SIZE A3												
		CUSTOMER DRAWING	CAGE CODE 00779												
			DRAWING NO C=83000												
			RESTRICTED TO												
		SCALE NTS	SHEET 1 OF 1												
			REV A												