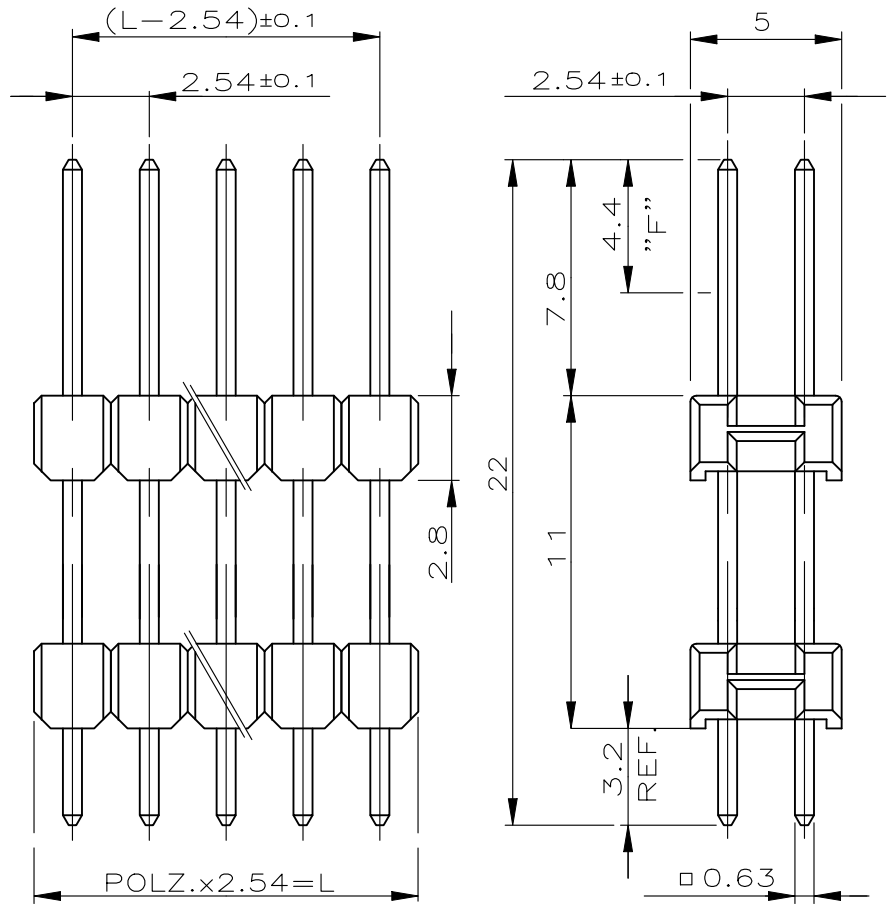


REVISIONS

P	LTR	DESCRIPTION	DATE	DWN	APVD
	E1	NOTE 1 0.76µm PLATING UPDATE (PdNi+AuFLASH)	11JUL2023	BGC	PS

POS. PER ROW	L±0.4	PART NO.
-	-	-
2	5.08	2- ² / ₃
3	7.62	3- ³ / ₃
4	10.16	4- ⁴ / ₂
5	12.70	5- ⁵ / ₂
6	15.24	6- ⁶ / ₂
7	17.78	829315 7- ⁷ / ₂
8	20.32	-8
9	22.86	9- ⁹ / ₂
10	25.40	1-
11	27.94	1-
12	30.48	1- 2- ² / ₂
13	33.02	1-
14	35.56	1- 4- ⁴ / ₂
15	38.10	1- 5- ⁵ / ₂
16	40.64	1- 6- ⁶ / ₃
17	43.18	1-
18	45.72	1- 8- ⁸ / ₂
19	48.26	1- 9- ⁹ / ₂
20	50.80	2-
21	53.34	2- 1- ¹ / ₂
22	55.88	2- 2- ² / ₂
23	58.42	2- 3- ³ / ₂
24	60.96	2- 4- ⁴ / ₂
25	63.50	2- 5- ⁵ / ₂
26	66.04	2- 6- ⁶ / ₂
27	68.58	2- 7- ⁷ / ₂
28	71.12	2- 8- ⁸ / ₂
29	73.66	2- 9- ⁹ / ₂
30	76.20	3- 0- ⁰ / ₂
31	78.74	3- 1- ¹ / ₂
32	81.28	3- 2- ² / ₂
33	83.82	3- -3
34	86.36	3- 4- ⁴ / ₂
35	88.90	3- 5- ⁵ / ₂
36	91.44	3- 6- ⁶ / ₂
37	93.98	3- 7- ⁷ / ₂
38	96.52	3- 8- ⁸ / ₂
39	99.06	3- 9- ⁹ / ₂
40	101.60	4- 0- ⁰ / ₂
41	104.14	4- 1- ¹ / ₂
42	106.68	4- 2- ² / ₂
43	109.22	4- 3- ³ / ₂
44	111.76	4- 4- ⁴ / ₂
45	114.30	4- 5- ⁵ / ₂
46	116.84	4- 6- ⁶ / ₂
47	119.38	4- 7- ⁷ / ₂
48	121.92	4- 8- ⁸ / ₂
49	124.46	4- -9
50	127.00	5- 829315 0- ⁰ / ₃



1 MATING SIDE: Min 0.76µm (PdNi + Au FLASH) IN ZONE "F"
 OVER Min 1.27µm Ni
 (Alternative plating - Min 0.76µm Au OVER Min 1.27µm Ni)
 SOLDER SIDE: Min. 2.5µm TIN OVER Min 1.27µm Ni

2 OBSOLETE PARTS: OBSOLETE CIS STREAMLINING PER
 D.RENAUD/D.SINISI

3 OBSOLETE

CONTACT PIN	CuZn	1
PIN HOUSING	PBT	GREEN
DESCRIPTION	MATERIAL	SURFACE COLOR
		COLOR

TE Connectivity. All Rights Reserved.

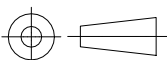


DIMENSIONS:

mm

TOLERANCES UNLESS OTHERWISE SPECIFIED:

0 PLC	±0.2 mm
1 PLC	± -
2 PLC	± -
3 PLC	± -
4 PLC	± -
ANGLES	± NOTE 1 0.76µm PLATING UPDATE (PdNi+AuFLASH)



DWN A.HO	28NOV1988	MATERIAL -	FINISH -
CHK M.Schaarschmidt	-	TE TE Connectivity	
APVD -	-		
PRODUCT SPEC 108-18012	NAME SPEZ. AMPMODU II STIFTLAISTE ZWEIREIHIG	SIZE A4	CAGE CODE 00779
APPLICATION SPEC	DRAWING NO C-829315	RESTRICTED TO -	
WEIGHT -	CUSTOMER DRAWING		
SCALE 4:1	SHEET 1 OF 1	REV E1	