

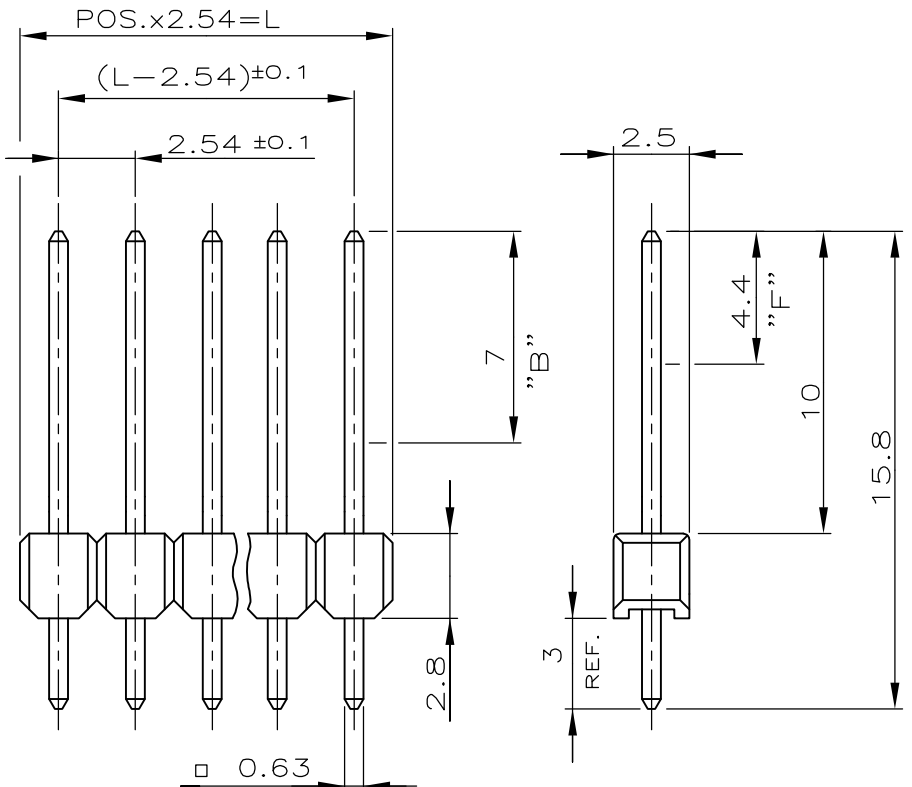
LOC	DIST	REVISIONS					
—	—	P	LTR	DESCRIPTION	DATE	DWN	APVD
		B		CONTACT PIN BASE MATERIAL & PLATING CHANGE	07JUL2014	KJK	JK

1 MATING SIDE: MIN. 0.7µm PdNi + MIN. 0.1µm GOLD FLASH BY AREA "F" OVER MIN. 1.27µm NICKEL
 SOLDER SIDE: MIN. 2.5µm TIN OVER 1.27µm NICKEL

2 OBSOLETE PARTS: OBSOLETE CIS STREAMLINING PER D.RENAUD/D.SINISI

3 OBSOLETE

POS.	L±0.4	PART NUMBER	
—	—	—	—
2	5.08	3-2	2
3	7.62	3-3	3
4	10.16	3-4	4
5	12.70	3-5	5
6	15.24	3-6	6
7	17.78	3-7	7
8	20.32	3-8	8
9	22.86	3-9	9
10	25.40	3-0	0
11	27.94	1-1	-1
12	30.48	2-2	-2
13	33.02	1-3	-3
14	35.56	1-4	-4
15	38.10	2-5	-5
16	40.64	1-829 001-6	-6
17	43.18	1-7	-7
18	45.72	1-8	-8
19	48.26	1-9	-9
20	50.80	2-0	0
21	53.34	2-1	-1
22	55.88	2-2	-2
23	58.42	2-3	-3
24	60.96	2-4	-4
25	63.50	2-5	-5
26	66.04	2-6	-6
27	68.58	2-7	-7
28	71.12	2-8	-8
29	73.66	2-9	-9
30	76.20	3-0	0
31	78.74	3-1	-1
32	81.28	3-2	-2
33	83.82	3-3	-3
34	86.36	3-4	-4
35	88.90	3-5	-5
36	91.44	3-6	-6
37	93.98	3-7	-7
38	96.52	3-8	-8
39	99.06	3-9	-9
40	101.60	4-0	0
41	104.14	4-1	-1
42	106.68	4-2	-2
43	109.22	4-3	-3
44	111.76	4-4	-4
45	114.30	4-5	-5
46	116.84	4-6	-6
47	119.38	4-7	-7
48	121.92	4-8	-8
49	124.46	4-9	-9
50	127.00	5-829 001-0	0



CONTACT PIN	CuZn	1
PIN HOUSING	PBT	GREEN
DESCRIPTION	MATERIAL	FINISH
		COLOR

RELEASED FOR PUBLICATION

ALL RIGHTS RESERVED.

By -
 COPYRIGHT -

THIS DRAWING IS UNPUBLISHED.

DIMENSIONS: mm	DWN	31.08.89	MATERIAL	SEE TABLE	FINISH	SEE TABLE
	CHK	M.SCHAARSCHMIDT		TE Connectivity		
TOLERANCES UNLESS OTHERWISE SPECIFIED:	APVD	—	NAME			
±0.2 mm	PRODUCT SPEC	108-18012	SIZE	CAGE CODE	DRAWING NO	RESTRICTED TO
0 PLC ± -	APPLICATION SPEC	—	A4	00779	C-829001	—
1 PLC ± -	WEIGHT	—	CUSTOMER DRAWING			SCALE
2 PLC ± -						4:1
3 PLC ± -						SHEET
4 PLC ± -						1 OF 1
ANGLES ± -						REV
						B