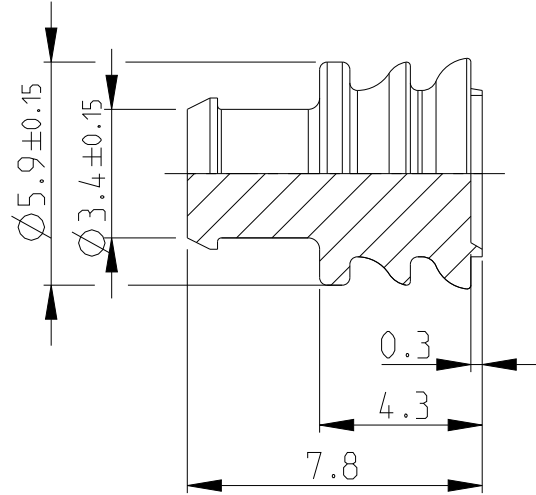
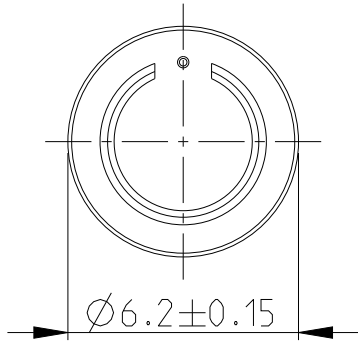


LOC	DIST	REVISIONS					
A1	-	P	LTR	DESCRIPTION	DATE	DWN	APVD
		L8		REVISED PER ECO-11-005150	31MAR2011	RK	HMR
		L9		(5-) DASHVERSION HAS BEEN ADDED	02JAN2024	BV	SzG



1:1

NO AIR BUBBLES PERMITTED


5-828922-1	L	same as 828922-1	same as 828922-1
828922-2	A	GREEN	SILICON MVQ 50
828922-1	L	NATURAL	SILICON MVQ 50
PART NO.	REV.	COLOUR	MATERIAL

RELEASED FOR PUBLICATION

ALL RIGHTS RESERVED.

THIS DRAWING IS UNPUBLISHED.

© COPYRIGHT -

DIMENSIONS: mm	DWN Gaupp,P. 17APR1997	MATERIAL	SEE TABLE	FINISH	-
TOLERANCES UNLESS OTHERWISE SPECIFIED: DIN 16901-160	CHK Kuempel,D. 21APR1997	 TE Connectivity			
0 PLC ± 1 PLC ± 2 PLC ± 3 PLC ± 4 PLC ± ANGLES ±°	APVD -				
	PRODUCT SPEC 108-18263-1	NAME CAVITY PLUG DIA. 2.5mm SYSTEM DIA. 5.4mm CAVITY			
	APPLICATION SPEC -	SIZE	CAGE CODE	DRAWING NO	RESTRICTED TO
	WEIGHT -	A 4	00779	©=828922	
CUSTOMER DRAWING		SCALE	5:1	SHEET	1 OF 1
				REV	L9